



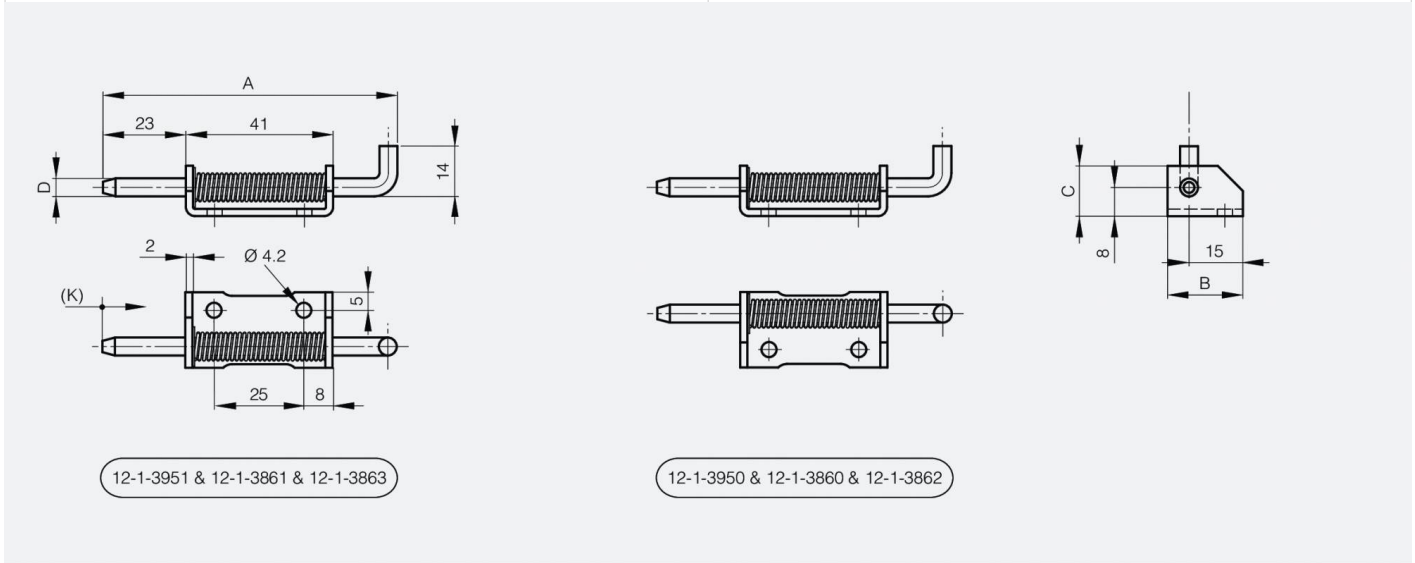
CONCEALED SPRINGLOADED PIN HINGES B

12-1-3862

Stainless steel spring. Hinges in raw steel and zinc plated steel with a zinc plated pin. Circlip in 1.4122 stainless steel.

Material	304 stainless steel
Finish	raw

Note	type 2
Weight (g)	39 g
Opening angle	270 °
Functions	



A (length)	82 mm
B (width)	21 mm
C	14 mm
D (pin diameter)	5
K	12 mm