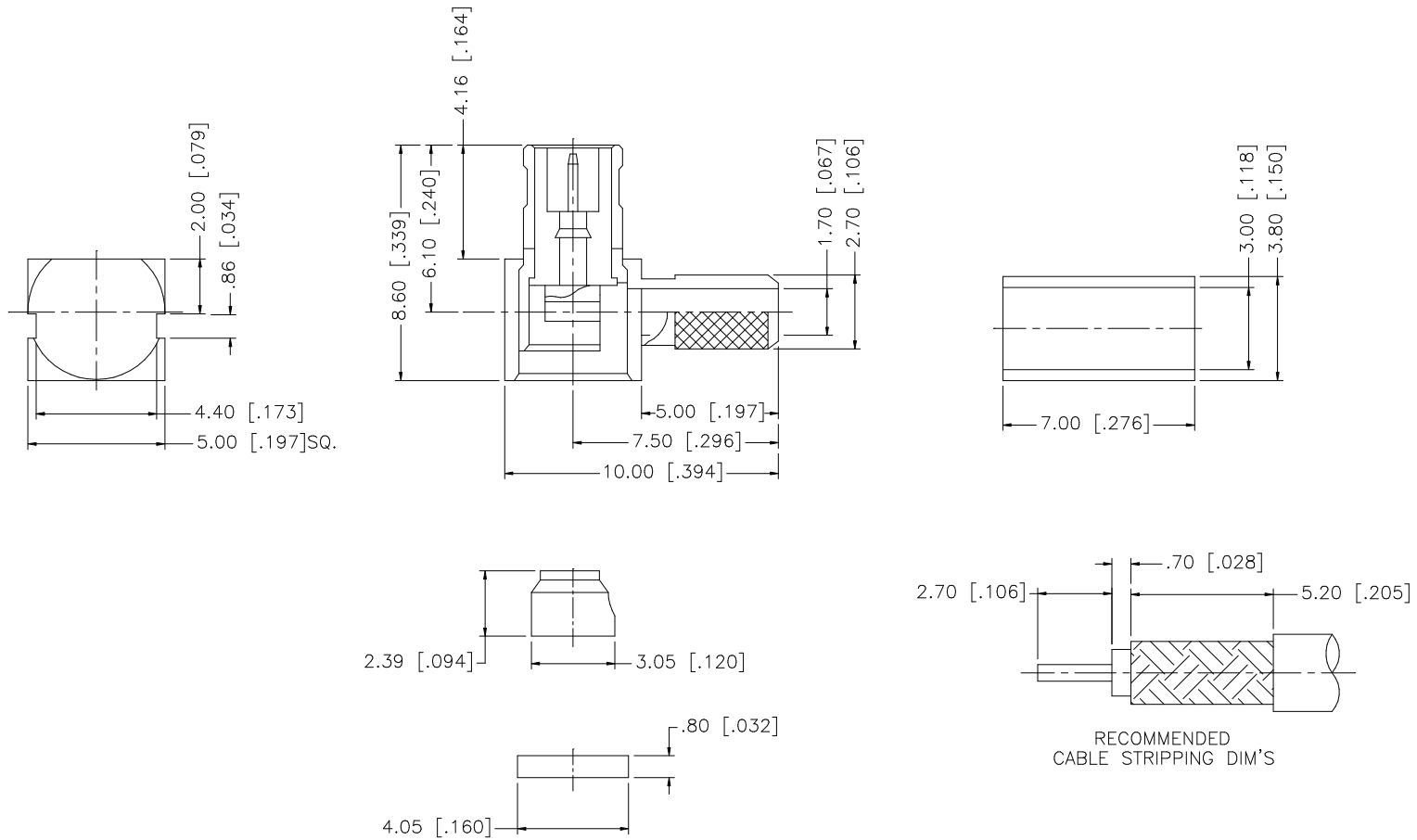


REV.	DATE	DESCRIPTION
A	06/05/03	UPDATE DRAWING FORMAT
B	11/13/06	MODIFY BARREL O.D. TO 2.7mm



RECOMMENDED
CABLE STRIPPING DIM'S

- NOTE:
1. CRIMPED FERRULE HEX CRIMP SIZE .128"
 2. CONTACT PIN TO SOLDER

DESCRIPTION	MATERIAL	FINISH	QTY	DO NOT SCALE DRAWING	APPROVALS	DATE	<h1 style="color: blue; margin: 0;">Amphenol Connex</h1> <p style="text-align: center; margin: 0;">PART DESCRIPTION</p> <p style="text-align: center; margin: 0;">MCX R/A CRIMP PLUG RG 174/u, 188/u, 316/u CABLE</p> <p style="text-align: center; margin: 0;">PART NO.</p> <p style="text-align: center; margin: 0;">252102</p>	
8					DRAWN	G.R.S.		<p style="text-align: center; margin: 0;">DWG. NO. 252102.DWG</p> <p style="text-align: center; margin: 0;">REV. B SIZE A SCALE NA</p>
7					CHECKED	11/13/06		
6	FERRULE	COPPER	GOLD	1	ISSUED			
5	COVER	BRASS	GOLD	1	SHEET	1 OF 1		
4	INSULATOR	DELTRIN	NATURAL	1	CAD FILE	C:/252/252102.DWG		
4	INSULATOR	DELTRIN	NATURAL	1	<small>UNLESS OTHERWISE SPECIFIED DIMENSIONS ARE IN MILLIMETERS. DIMENSIONS IN [] ARE IN INCHES AND FOR CUSTOMER REFERENCE ONLY.</small>			
3	CONTACT PIN	BRASS	GOLD	1	<small>UNLESS OTHERWISE SPECIFIED TOLERANCES FOR MILLIMETERS ARE:</small>			
2	INSULATOR	TEFLON	NATURAL	1	<small>0.5 - 8mm ± 0.20mm</small>			
1	BODY	BER. COPPER	GOLD	1	<small>8 - 30mm ± 0.40mm</small>			
					<small>30 - 120mm ± 0.50mm</small>			
					<small>UNLESS OTHERWISE SPECIFIED TOLERANCES FOR INCHES ARE:</small>			
					<small>.020 - .315 = ± 0.007"</small>			
					<small>.315 - 1.180 = ± 0.015"</small>			
					<small>1.180 - 4.724 = ± 0.020"</small>			

Mouser Electronics

Authorized Distributor

Click to View Pricing, Inventory, Delivery & Lifecycle Information:

[Amphenol:](#)

[252102](#)