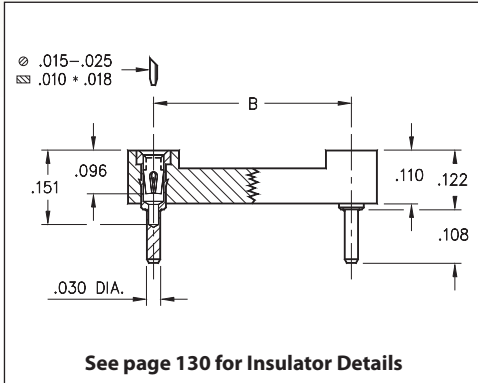
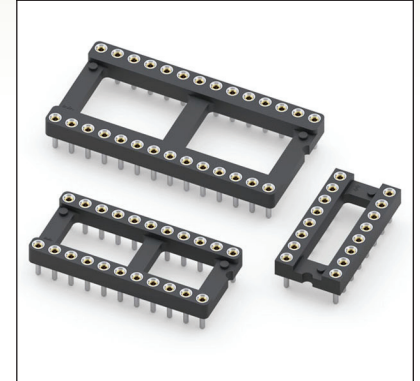


# DUAL-IN-LINE SOCKETS

## SERIES 115...001 • VERY LOW PROFILE • OPEN FRAME



- Low profile DIP socket, sits only .122" above the PCB
- Hi-Rel, 4-finger BeCu #30 contact is rated at 3 amps. See page 253 for details
- Series 115 uses MM #0501 pins. See page 162 for details
- Insulators are high temperature thermoplastic, suitable for all soldering operations
- For Electrical, Mechanical and Environmental Data, see page 264 for details



Total number of pins				Quantity per tube	<h3>ORDERING INFORMATION</h3>						
	A	B	C								
10	0.5	0.2	0.3	41	115-XX-210-41-001000						
4	0.2	0.3	0.4	102	115-XX-304-41-001000						
6	0.3	0.3	0.4	67	115-XX-306-41-001000						
8	0.4	0.3	0.4	50	115-XX-308-41-001000						
10	0.5	0.3	0.4	40	115-XX-310-41-001000						
14	0.7	0.3	0.4	28	115-XX-314-41-001000						
16	0.8	0.3	0.4	25	115-XX-316-41-001000						
18	0.9	0.3	0.4	22	115-XX-318-41-001000						
20	1.0	0.3	0.4	20	115-XX-320-41-001000						
22	1.1	0.3	0.4	18	115-XX-322-41-001000						
24	1.2	0.3	0.4	16	115-XX-324-41-001000						
28	1.4	0.3	0.4	14	115-XX-328-41-001000						
20	1.0	0.4	0.5	20	115-XX-420-41-001000						
22	1.1	0.4	0.5	18	115-XX-422-41-001000						
24	1.2	0.4	0.5	16	115-XX-424-41-001000						
28	1.4	0.4	0.5	14	115-XX-428-41-001000						
32	1.6	0.4	0.5	12	115-XX-432-41-001000						
24	1.2	0.6	0.7	16	115-XX-624-41-001000						
28	1.4	0.6	0.7	14	115-XX-628-41-001000						
32	1.6	0.6	0.7	12	115-XX-632-41-001000						
36	1.8	0.6	0.7	11	115-XX-636-41-001000						
40	2.0	0.6	0.7	10	115-XX-640-41-001000						
42	2.1	0.6	0.7	9	115-XX-642-41-001000						
48	2.4	0.6	0.7	8	115-XX-648-41-001000						
50	2.5	0.6	0.7	8	115-XX-650-41-001000						
52	2.6	0.6	0.7	7	115-XX-652-41-001000						
50	2.5	0.9	1.0	8	115-XX-950-41-001000						
52	2.6	0.9	1.0	7	115-XX-952-41-001000						
64	3.2	0.9	1.0	6	115-XX-964-41-001000						
<b>SPECIFY PLATING CODE XX =</b>					91	93	41	43	47		
					Sleeve (Pin)	200 μ" Sn/Pb	200 μ" Sn/Pb	200 μ" Sn	200 μ" Sn	200 μ" Sn	
					Contact (Clip)	10 μ" Au	30 μ" Au	10 μ" Au	30 μ" Au	Au Flash	

XX=Plating Code  
See Below



# Mouser Electronics

Authorized Distributor

Click to View Pricing, Inventory, Delivery & Lifecycle Information:

## Mill-Max:

[115-47-308-41-001000](#) [115-47-318-41-001000](#) [115-47-320-41-001000](#) [115-47-308-41-003000](#) [115-47-314-41-001000](#) [115-47-316-41-003000](#) [115-47-328-41-001000](#) [115-47-640-41-001000](#) [115-47-628-41-001000](#) [115-47-316-41-001000](#) [115-47-624-41-001000](#)