

Ring cable lug - C-RCI 6/M8 - 3240030

Please be informed that the data shown in this PDF Document is generated from our Online Catalog. Please find the complete data in the user's documentation. Our General Terms of Use for Downloads are valid (<http://phoenixcontact.com/download>)




Ring cable lug, yellow, 4 ... 6 mm², M8

Your advantages

- ✓ The insulated ring cable lugs with plastic sleeve are hard-soldered and feature the 'EASY ENTRY' system
- ✓ The sleeves are conically tapered to facilitate easy and correct insertion of the conductor

Key Commercial Data

| | |
|------------------------|---------------------------------------------------------------------------------------------------------|
| Packing unit | 25 pc |
| Minimum order quantity | 25 pc |
| GTIN |  4 046356 452076 |
| GTIN | 4046356452076 |

Technical data

Dimensions

| | |
|-----------------------------------------------------------|---------|
| Length (b) | 34.9 mm |
| Width (a) | 15 mm |
| Maximum stripping length | 9 mm |
| Length of insulation sleeve (c) | 14 mm |
| Inner dimension of the insulating collar (d) | 6.6 mm |
| Distance between the center and the insulation sleeve (e) | 13.4 mm |
| Inner diameter (f) | 8.5 mm |
| Material thickness (g) | 1 mm |

Ambient conditions

| | |
|-------------------------------------------------|---------------------------------------------------------------------------------------------------|
| Ambient temperature (operation) | -20 °C ... 105 °C |
| Ambient temperature (assembly) | -20 °C ... 100 °C |
| Optimum ambient temperature (storage/transport) | 20 °C 50 % Humidity (RH), store inside sealed original packaging. Avoid direct sunlight and heat. |

Ring cable lug - C-RCI 6/M8 - 3240030

Technical data

Ambient conditions

| | |
|------------------------|--------|
| Short-term temperature | 100 °C |
|------------------------|--------|

General

| | |
|----------------------------------------|--------------|
| Color | yellow |
| Stripping length | 9 mm |
| Components | halogen-free |
| Flammability rating according to UL 94 | V2 |
| Material | Copper |
| Insulating material | PA |
| Coating | tin-plated |

Standards and Regulations

| | |
|----------------------------------------|--------------|
| Flammability rating according to UL 94 | V2 |
| Design according to standard | JIS, UL, CSA |

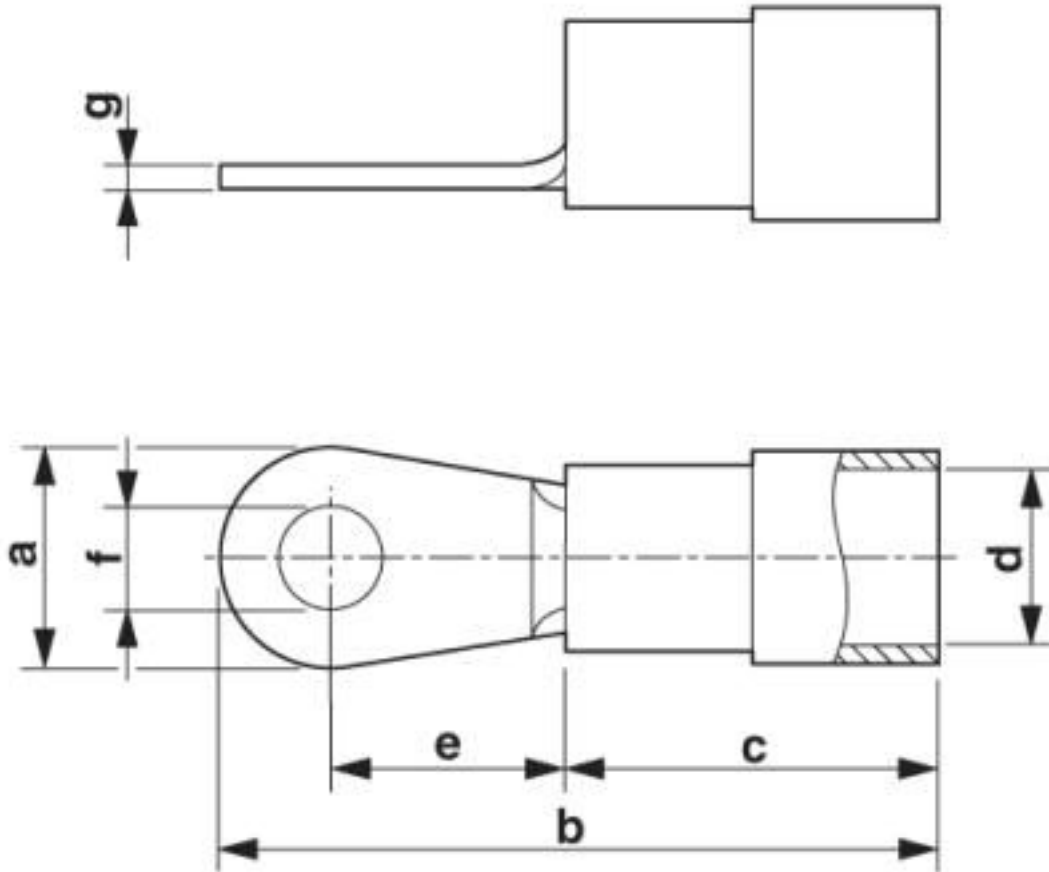
Environmental Product Compliance

| | |
|------------|---------------------------------------------------------|
| China RoHS | Environmentally friendly use period: unlimited = EFUP-e |
| | No hazardous substances above threshold values |

Drawings

Ring cable lug - C-RCI 6/M8 - 3240030

Dimensional drawing



Classifications

eCl@ss

| | |
|---------------|----------|
| eCl@ss 10.0.1 | 27400204 |
| eCl@ss 4.0 | 27060700 |
| eCl@ss 4.1 | 27060700 |
| eCl@ss 5.0 | 27400200 |
| eCl@ss 5.1 | 27400200 |
| eCl@ss 6.0 | 27400200 |
| eCl@ss 7.0 | 27400204 |
| eCl@ss 8.0 | 27400204 |
| eCl@ss 9.0 | 27400204 |

ETIM

| | |
|----------|----------|
| ETIM 2.0 | EC000005 |
| ETIM 3.0 | EC000005 |
| ETIM 4.0 | EC001052 |
| ETIM 5.0 | EC001052 |

Ring cable lug - C-RCI 6/M8 - 3240030

Classifications

ETIM

| | |
|----------|----------|
| ETIM 6.0 | EC001052 |
| ETIM 7.0 | EC001052 |

UNSPSC

| | |
|---------------|----------|
| UNSPSC 6.01 | 27113201 |
| UNSPSC 7.0901 | 27121703 |
| UNSPSC 11 | 27121703 |
| UNSPSC 12.01 | 27121703 |
| UNSPSC 13.2 | 27121707 |
| UNSPSC 18.0 | 27121707 |
| UNSPSC 19.0 | 27121707 |
| UNSPSC 20.0 | 27121707 |
| UNSPSC 21.0 | 27121707 |

Phoenix Contact 2020 © - all rights reserved
<http://www.phoenixcontact.com>

PHOENIX CONTACT GmbH & Co. KG
Flachsmarktstr. 8
32825 Blomberg
Germany
Tel. +49 5235 300
Fax +49 5235 3 41200
<http://www.phoenixcontact.com>

Mouser Electronics

Authorized Distributor

Click to View Pricing, Inventory, Delivery & Lifecycle Information:

[Phoenix Contact:](#)

[3240030](#)