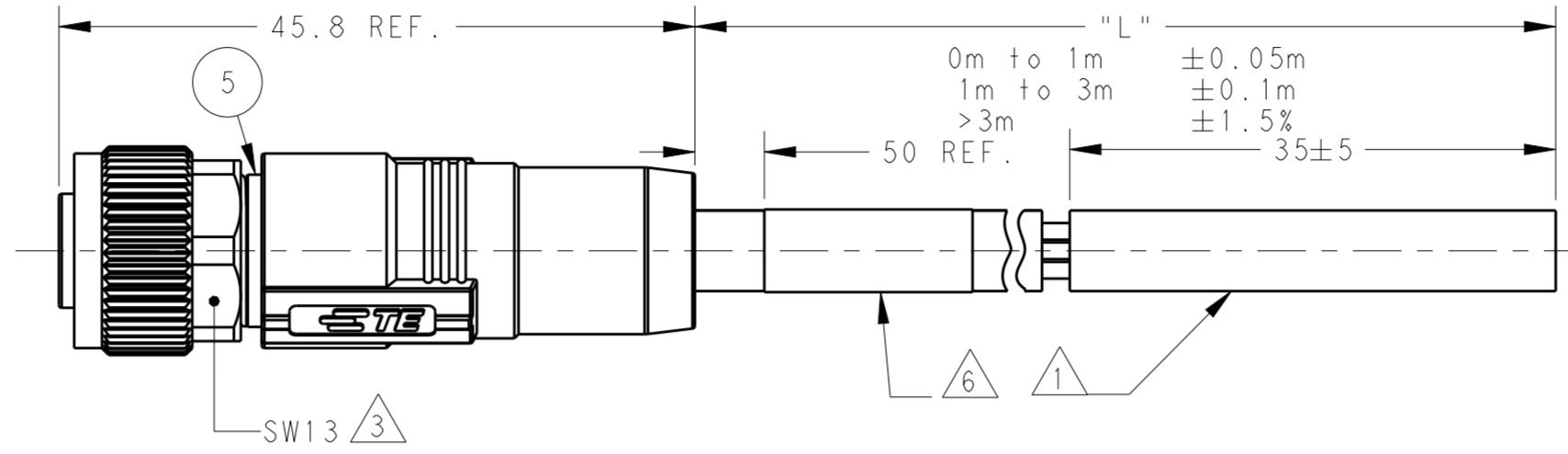
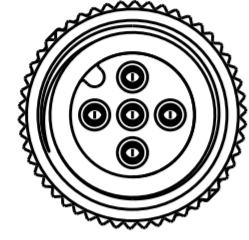


THIS DRAWING IS UNPUBLISHED. RELEASED FOR PUBLICATION 20
 © COPYRIGHT 20 BY - ALL RIGHTS RESERVED.

ITEM	DESCRIPTION	MATERIAL	OTHERS
1	FEMALE CONTACT	COPPER ALLOY	GOLD PLATED
2	HOUSING	NYLON	BLACK
3	COUPLING NUT	COPPER ALLOY	NICKEL PLATED
4	OVER-MOLDING	PVC/TPU	BLACK
5	SHIELDED SHELL	COPPER ALLOY	NICKEL PLATED
6	O-RING	SILICONE	GRAY
7	CABLE	PVC/PUR JACKET	GRAY/VIOLET
8	LABEL	-	-



REVISIONS				
P	LTR	DESCRIPTION	DATE	APVD
	A	INITIAL RELEASE	29JUL2019	A.Z C.W

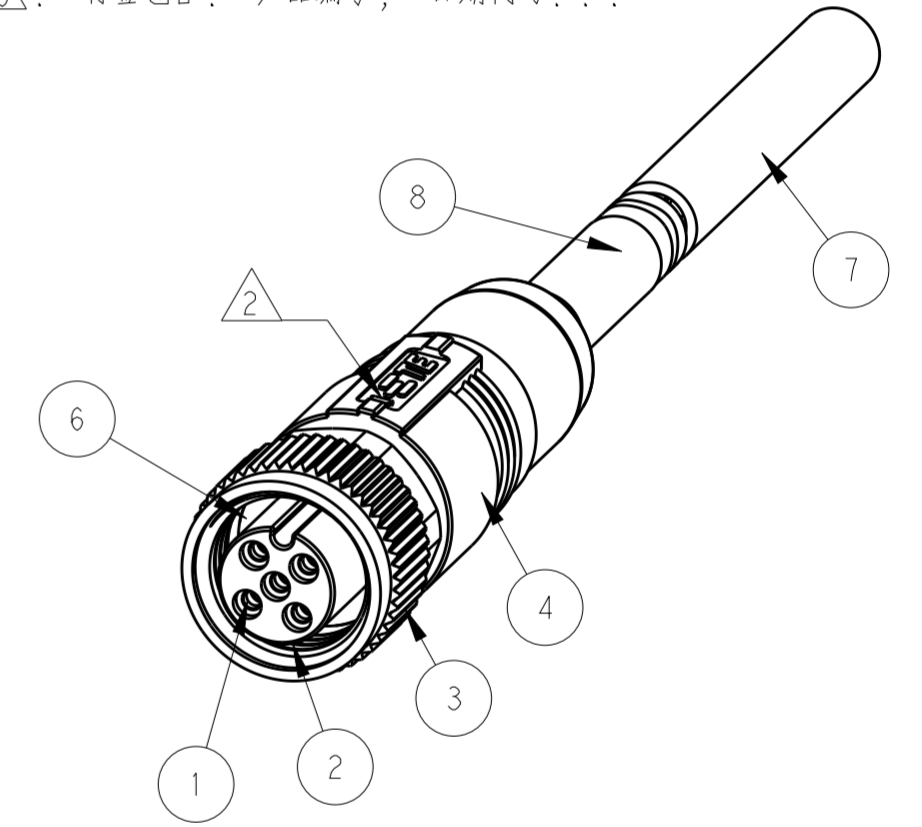
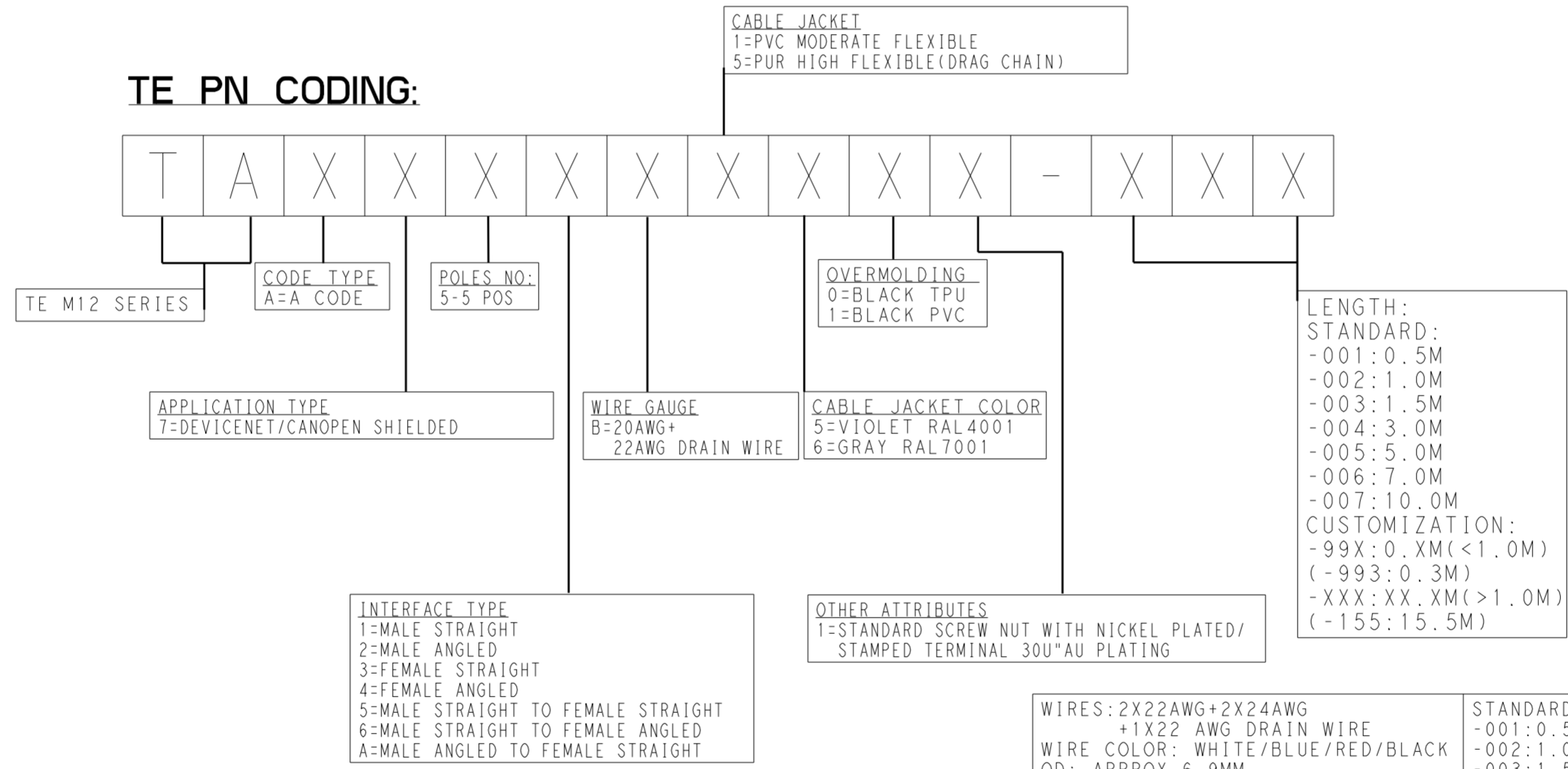
NOTE:
 1. STRIP AND RETAIN THE INSULATION
 2. CODE POSITION INDICATOR
 3. RECOMMENDED TORQUE 0.6 Nm
 4. -** : CABLE LENGTH, FOR EXAMPLE: -0.5M
 5. CABLE ASSEMBLY TO BE PACKAGED IN POLYBAGS
 6. LABEL CONTAINS: PN, DATE CODE...

注释:
 1. 剥线并保留护套绝缘层
 2. CODE位置指示
 3. 推荐扭矩0.6 Nm
 4. -** : 线缆长度, 例如: -0.5M
 5. 线缆组件塑料袋包装
 6. 标签包含: 产品编号, 日期代码...

TABLE 1
 TECHNICAL DATA

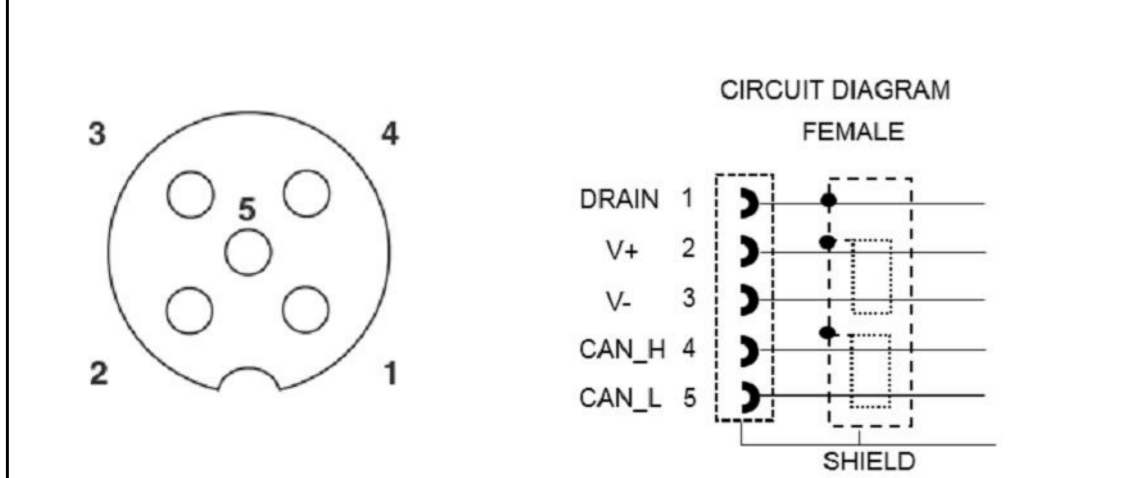
	TAA753A1611-XXX	TAA753A5501-XXX
RATED VOLTAGE	60V	
RATED IMPULSE VOLTAGE	1500V	
RATED CURRENT	4A	
POLLUTION DEGREE	3	
OVERVOLTAGE CATEGORY	II	
MATERIAL GROUP	II	
DEGREE OF PROTECTION	IP67	

TE PN CODING:



PIN ARRANGEMENT
 A-CODE

PIN 4	CAN_H	WHITE
PIN 5	CAN_L	BLUE
PIN 1	DRAIN	BARE
PIN 3	V-	BLACK
PIN 2	V+	RED



WIRES	STANDARD	TYPE	TABLE 2 TE PN
WIRES: 2X22AWG+2X24AWG +1X22 AWG DRAIN WIRE WIRE COLOR: WHITE/BLUE/RED/BLACK OD: APPROX. 6.9MM TEMPERATURE RATING: 80°C UL OPERATION TEMP RATING: -40°C To +80°C	-001: 0.5M -002: 1.0M -003: 1.5M -004: 3.0M -005: 5.0M -006: 7.0M -007: 10.0M	M12A5-FS-PUR-*** ¹	TAA753A5501-XXX
WIRES: 2X22AWG+2X24AWG +1X22 AWG DRAIN WIRE WIRE COLOR: WHITE/BLUE/RED/BLACK OD: APPROX. 7.1MM TEMPERATURE RATING: 75°C UL OPERATION TEMP RATING: -10°C To +80°C	CUSTOMIZATION: -99X: 0.XM (<1.0M) (-993: 0.3M) -XXX: XX.XM (>1.0M) (-155: 15.5M)	M12A5-FS-PVC-*** ¹	TAA753A1611-XXX

THIS DRAWING IS A CONTROLLED DOCUMENT.

DIMENSIONS: mm	TOLERANCES UNLESS OTHERWISE SPECIFIED:	DWN: ALEX ZHANG 11APR2019	CHK: HART HE 11APR2019	APVD: CHRIS WANG 11APR2019
MATERIAL	FINISH	PRODUCT SPEC: 108-106140	APPLICATION SPEC: -	WEIGHT: -
RESTRICTED CUSTOMER		SIZE: A2	CAGE CODE: -	DRAWING NO: C-TAA753AXXXXXXX
RESTRICTED TO		SCALE: 2:1	SHEET: 1 OF 1	REV: A

NAME: M12 A CODE CABLE ASSY, SHIELDED 5P, FS FREE END

TE Connectivity