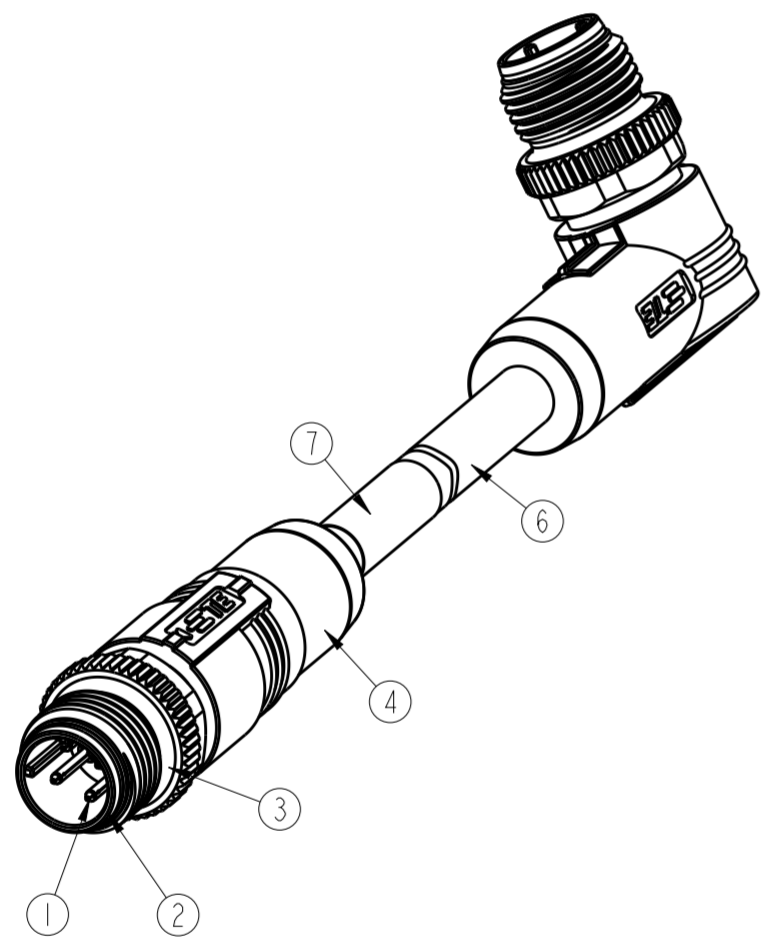
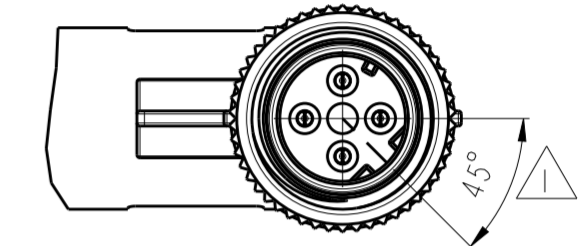
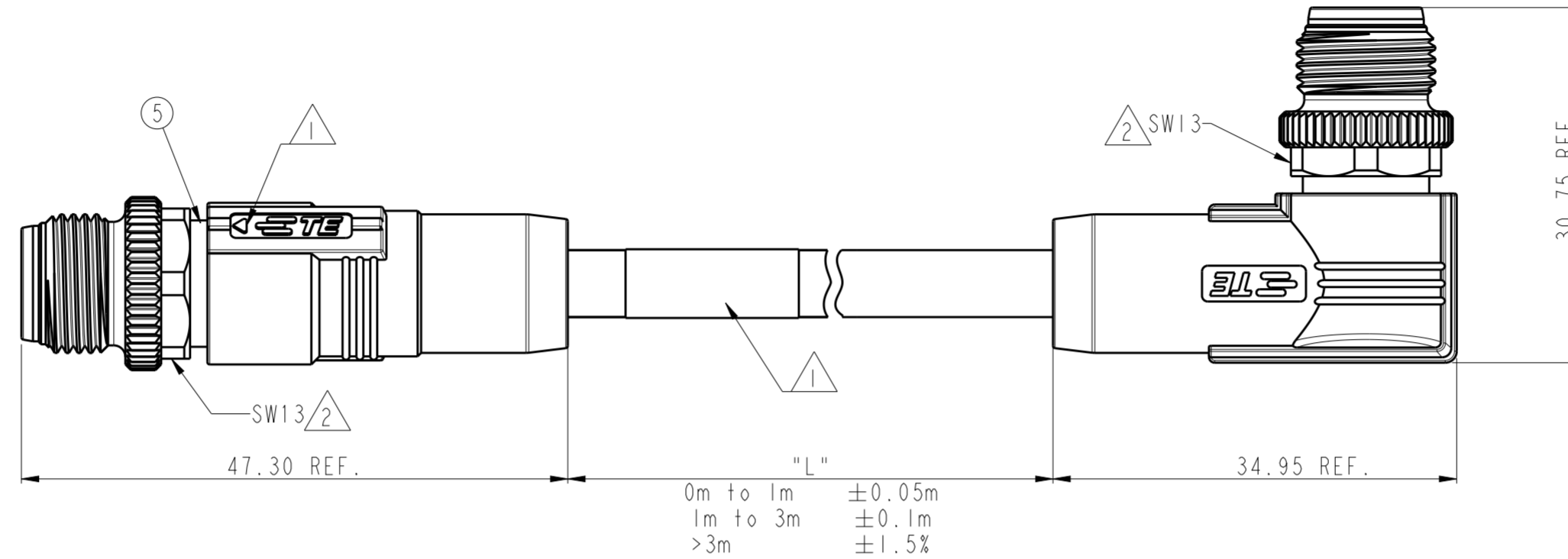


THIS DRAWING IS UNPUBLISHED. RELEASED FOR PUBLICATION 20
 © COPYRIGHT 20 BY - ALL RIGHTS RESERVED.

REVISIONS					
P	LTR	DESCRIPTION	DATE	DWN	APVD
A		INITIAL RELEASE	18JUL2019	A.Z	C.W
AI		CORRECT DRAFT ERROR	16OCT2019	A.Z	C.W

ITEM	DESCRIPTION	MATERIAL	OTHERS
1	MALE CONTACT	COPPER ALLOY	GOLD PLATED
2	HOUSING	NYLON	BLACK
3	COUPLING NUT	COPPER ALLOY	NICKEL PLATED
4	OVER-MOLDING	TPU/PVC	BLACK
5	SHIELDED SHELL	COPPER ALLOY	NICKEL PLATED
6	CABLE	-	-
7	LABEL	-	-



NOTE:

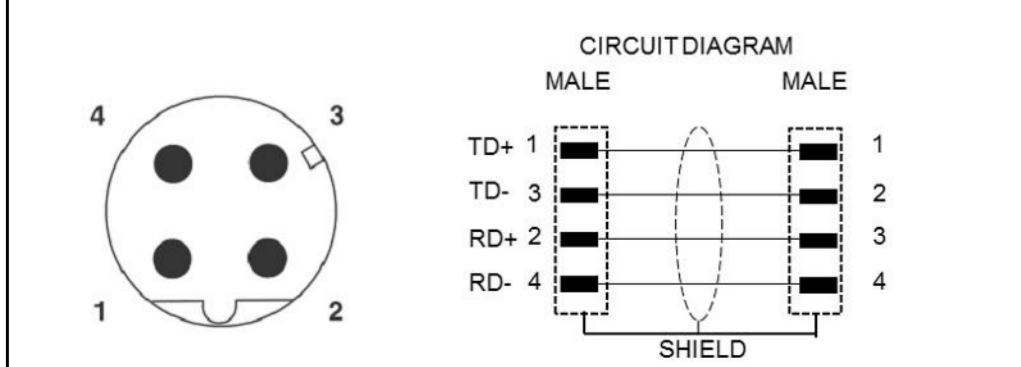
- 1. CODE POSITION INDICATOR
- 2. RECOMMENDED TORQUE 0.6 Nm
- 3. -** : CABLE LENGTH, FOR EXAMPLE: -0.5M
- 4. CABLE ASSEMBLY TO BE PACKAGED IN POLYBAGS
- 5. LABEL CONTAINS: PN, DATE CODE...
- 6. -XXX: FOR CABLE LENGTH, SEE TABLE 2 AND REFER TO LENGTH "L"

注释:

- 1. CODE位置指示
- 2. 推荐扭矩0.6 Nm
- 3. -** : 线缆长度, 例如: -0.5M
- 4. 线缆组件塑料袋包装
- 5. 标签包含: 产品编号, 日期代码...
- 6. -XXX: 线缆长度, 参考表2, 参照长度"L"

PIN ARRANGEMENT D-CODE

PIN 1	TD+	YELLOW / 黄
PIN 3	TD-	ORANGE / 橙
PIN 2	RD+	WHITE / 白
PIN 4	RD-	BLUE / 蓝



WIRES	WIRE COLOR	TEMPERATURE RATING	OPERATING TEMP RATING	STANDARD	JACKET COLOR	JACKET MATERIAL	TYPE	POS.	TABLE 2 TE PN
WIRES: 1X4X22AWG WIRE COLOR: WHITE/YELLOW/BLUE/ORANGE OD: APPROX. 6.5MM TEMPERATURE RATING: 80°C UL OPERATING TEMP RATING: -40°C To +80°C	RED	PVC	M12D4-MS-MR-PVC TYPE B RED-**3	-001: 0.5M -002: 1.0M -003: 1.5M -004: 3.0M -005: 5.0M -006: 7.0M -007: 10.0M	RED	PVC	M12D4-MS-MR-PVC TYPE B RED-**3	4	TAD14841311-XXX6
WIRES: 1X4X22AWG WIRE COLOR: WHITE/YELLOW/BLUE/ORANGE OD: APPROX. 6.65MM TEMPERATURE RATING: 80°C UL OPERATING TEMP RATING: -30°C To +70°C	GREEN	PUR	M12D4-MS-MR-PUR TYPE C GREEN-**3	CUSTOMIZATION: -99X: 0.XM (<1.0M) (-993: 0.3M) -XXX: XX.XM (>1.0M) (-155: 15.5M)	GREEN	PUR	M12D4-MS-MR-PUR TYPE C GREEN-**3	4	TAD14845101-XXX6
WIRES: 1X4X22AWG WIRE COLOR: WHITE/YELLOW/BLUE/ORANGE OD: APPROX. 6.5MM TEMPERATURE RATING: 80°C UL OPERATING TEMP RATING: -25°C To +80°C	GREEN	FRNC	M12D4-MS-MR-FRNC TYPE B GREEN-**3		GREEN	FRNC	M12D4-MS-MR-FRNC TYPE B GREEN-**3	4	TAD14847101-XXX6
WIRES: 1X4X22AWG WIRE COLOR: WHITE/YELLOW/BLUE/ORANGE OD: APPROX. 6.5MM TEMPERATURE RATING: 80°C UL OPERATING TEMP RATING: -40°C To +80°C	GREEN	PVC	M12D4-MS-MR-PVC TYPE B GREEN-**3		GREEN	PVC	M12D4-MS-MR-PVC TYPE B GREEN-**3	4	TAD14841111-XXX6
CABLE CHARACTERISTIC	LENGTH "L"	JACKET COLOR	JACKET MATERIAL	TYPE	POS.	TABLE 2 TE PN			

THIS DRAWING IS A CONTROLLED DOCUMENT.

DWN: ALEX ZHANG 11 APR 2019
 CHK: HART HE
 APVD: CHRIS WANG HART HE

PRODUCT SPEC: 108-106140
 APPLICATION SPEC: -

NAME: M12 D CODE CABLE ASSY, SHIELDED 4P, MS TO MR

SIZE: A2 CAGE CODE: - DRAWING NO: G-TAD1484XXXXXX RESTRICTED TO: -

WEIGHT: -

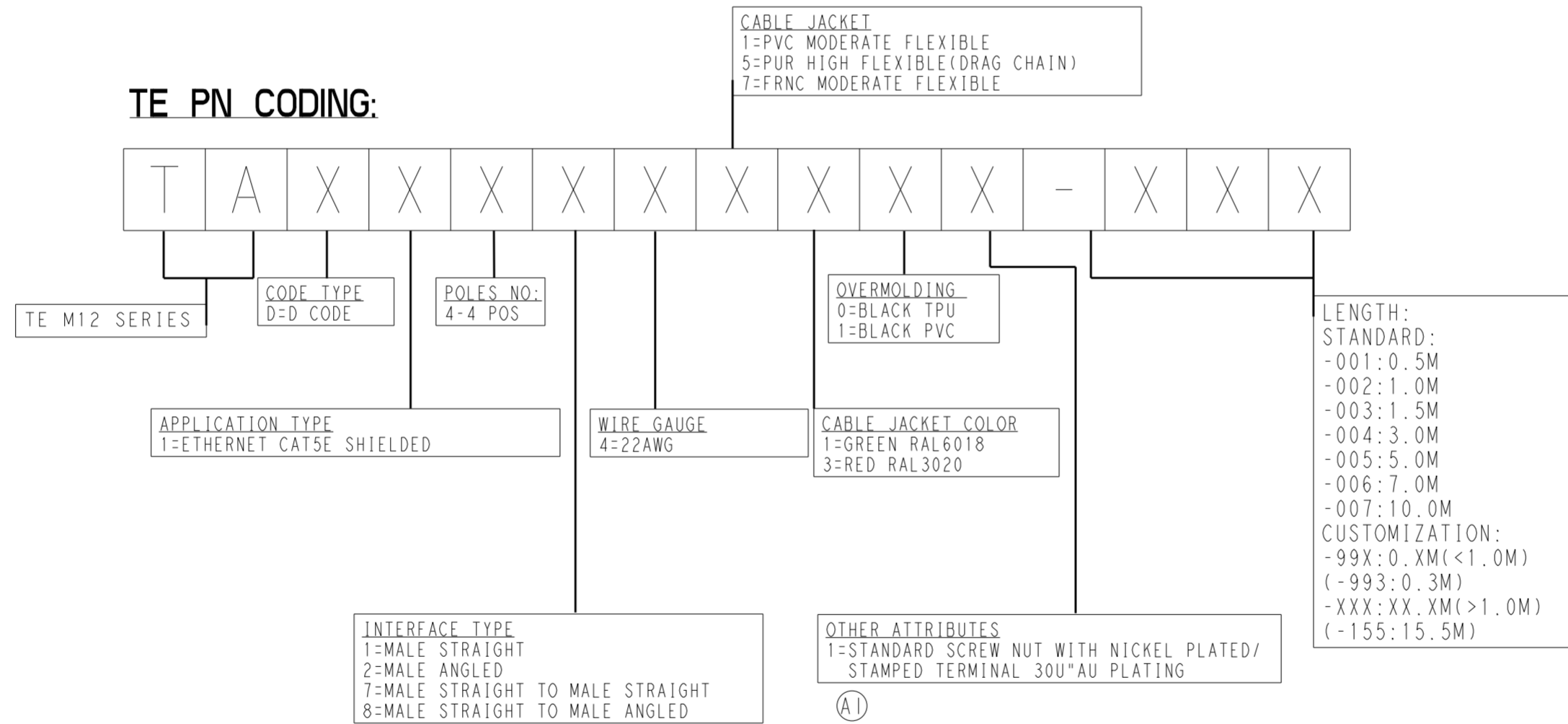
CUSTOMER DRAWING SCALE: 2:1 SHEET 1 OF 2 REV: AI

THIS DRAWING IS UNPUBLISHED. RELEASED FOR PUBLICATION 20
 © COPYRIGHT 20 BY - ALL RIGHTS RESERVED.

REVISIONS				
P	LTR	DESCRIPTION	DATE	APVD
-		SEE SHEET 1	-	-

TECHNICAL DATA	
RATED VOLTAGE	250V 30V(UL)
RATED CURRENT	4A 1.5A(UL)
POLLUTION DEGREE	3
OVERVOLTAGE CATEGORY	II
MATERIAL GROUP	II
DEGREE OF PROTECTION	IP67

TE PN CODING:



THIS DRAWING IS A CONTROLLED DOCUMENT.		DWN ALEX ZHANG CHK HART HE APVD CHRIS WANG	11 APR 2019 HART HE HART HE	TE Connectivity NAME M12 D CODE CABLE ASSY, SHIELDED 4P, MS TO MR				
DIMENSIONS: mm 		TOLERANCES UNLESS OTHERWISE SPECIFIED: 0 PLC ± 1 PLC ± 2 PLC ± 3 PLC ± 4 PLC ± ANGLES ± FINISH ±				PRODUCT SPEC 108-106140 APPLICATION SPEC -	SIZE A2	CAGE CODE -
MATERIAL -		WEIGHT -		SCALE 2:1 SHEET 2 OF 2 REV A1				