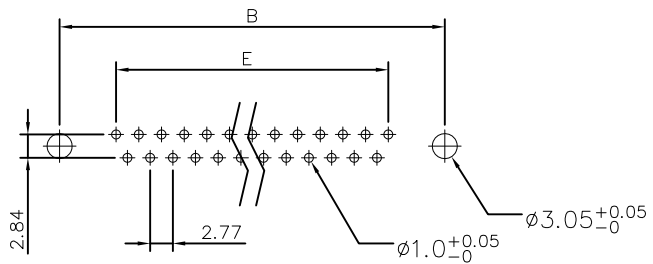
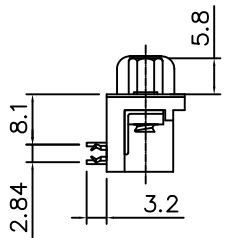
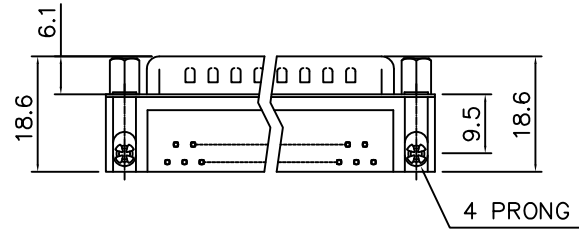
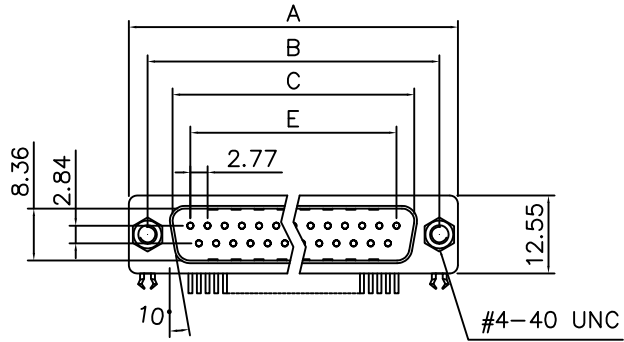


This document is the property of Amphenol Corporation and is delivered on the express condition that it is not to be disclosed, reproduced or used, in whole or in part, for manufacture or sale by anyone other than Amphenol Corporation without its prior consent, & that no right is granted to disclose or to use any information in this document.

# Customer Drawing



RECOMMENDED P.C.B LAYOUT  
(TOLERANCE +/-0.05)



REVISIONS				
SYM	ECN	DESCRIPTION	DATE	APPROVED
1	HK--	First Release Drawing	03/13/09	IP
2	HK--	Update the Drawing	04/09/13	IP
3	HK--	Update the Drawing	04/07/15	IP

## D-SUB TECHNICAL DATA

SHELL : Steel, 100u" Tin Over 50u" min nickel over 50u" min Copper  
 BODY : Glass-Filled Thermoplastic PBT, UL94V-0,Black.  
 CONTACTS : Copper alloy  
 Gold flash over 50u" nickel on mating area  
 100u" tin over 50u" nickel on solder area  
 BOARDLOCK: Brass, Tin Plated.  
 SCREWLOCK: Brass, Nickel Plated.  
 RIVET: Copper Alloy, Nickel Plated.  
 ELECTRICAL : Voltage rating 250 V Rms  
 Current Rating :3 AMP  
 Withstanding Voltage >1000 V Rms  
 Insulation resistance >1000 M Ohms  
 Contact resistance 20 mOhms  
 MARKING : Amphenol...(Series No.)  
 Commercial reference  
 Manufacturing date

## PRODUCT CODE

L 717 SD X XX P A4 CH 4F

L: RoHS Compliance	Mounting options: 4F=Front screwlock 4-40
717: tinned shell + dimples for plug	PCB Locking Type: Grounding tabs+ boardlocks
Shell Size :E,A,B,C	Footprint: A4 (MIL)
Configuration: 09,15,25,37	Contact type: P: Pin

## Dimensions

Positions	A	B	C	E
9	30.81	24.99	16.92	11.08
15	39.20	33.30	25.25	19.39
25	53.05	47.04	38.96	33.24
37	69.40	63.50	55.42	49.86

UNLESS OTHERWISE SPECIFIED TOLERANCES	APPROVAL		DATE
	U.S.	METRIC	
.X +/-	0.50		DRAWN <i>Felix Liu</i> 04/07/15
.XX +/-	0.30		CHECKED <i>Tony Tang</i> 04/07/15
.XXX +/-	0.20		CHECKED
FRACTIONS +/-		5'	
ANGLES +/-			
FOR MATERIALS AND FINISHES SEE NOTES			
REMOVE SHARP EDGES			
DIMENSIONS		ANGLE OF PROJECTION	
U.S.	INCHES		
METRIC	MM		

Amphenol  
Amphenol East Asia Limited

TITLE  
Stamped and formed contact,SD series

SIZE DRAWING NO. REV.  
A4 L717SDXXXPA4CH4F 3

SCALE NONE SHEET 1 OF 1