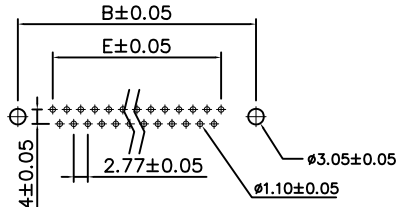
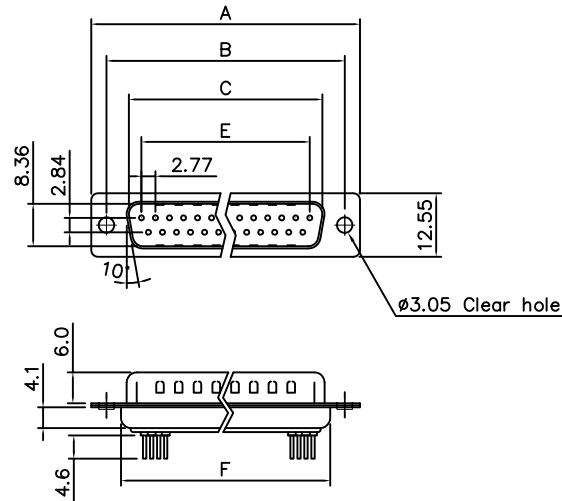


This document is the property of Amphenol Corporation and is delivered on the express condition that it is not to be disclosed, reproduced or used, in whole or in part, for manufacture or sale by anyone other than Amphenol Corporation without its prior consent, & that no right is granted to disclose or to use any information in this document.

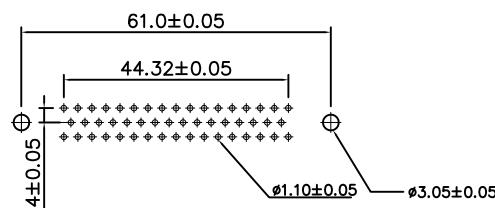
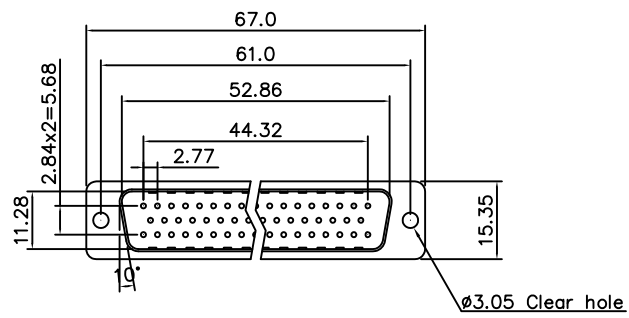
Customer drawing



RECOMMENDED PCB LAYOUT
TOLERANCE: +/-0.05

Dimensions

Positions	A	B	C	E	F
9	30.81	24.99	16.92	11.08	19.20
15	39.20	33.30	25.25	19.39	27.70
25	53.04	47.04	38.96	33.24	41.10
37	69.40	63.50	55.42	49.86	57.30



RECOMMENDED PCB LAYOUT
TOLERANCE: +/-0.05MM

50 POSITIONS

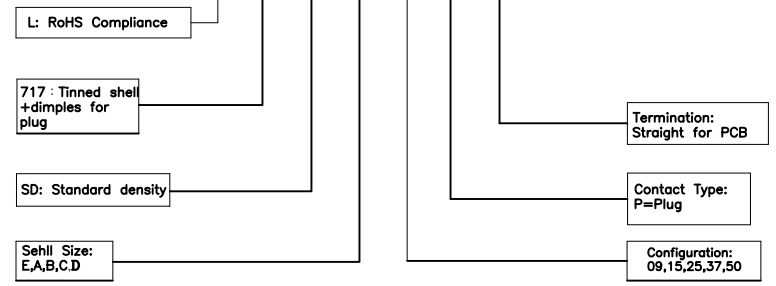
REVISIONS				
SYM	ECN	DESCRIPTION	DATE	APPROVED
1	HK--	First Release Drawing	07/18/08	IP
2	HK--	Update the Drawing	06/18/14	IP

D-SUB TECHNICAL DATA

SHELL : Steel 100u" tin over 50u" min nickel over 50u" min copper
 BODY : Glass-Filled Thermoplastic PBT, UL94V-0,color Black
 CONTACTS : Copper Alloy
 Gold flash over 50u" min nickel on mating area
 100u" min tin over 50u" min nickel on solder area
 ELECTRICAL: Voltage rating : 250 V Rms
 Current rating : 3A
 Withstanding Voltage >1000 V Rms
 Insulation resistance >1000 M Ohms
 Contact resistance 20 mOhms max.
 MARKING : Amphenol...(Series No.)
 Commercial reference
 Manufacturing date

PRODUCT CODE

L 717 SD X XX P OL2



UNLESS OTHERWISE SPECIFIED TOLERANCES	APPROVAL		DATE
	DRAWN	Mary.ma	06/18/14
U.S.			
METRIC			
.X +/-			0.50
.XX +/-			0.30
.XXX +/-			0.20
FRACTIONS +/-			5'
ANGLES +/-			
FOR MATERIALS AND FINISHES SEE NOTES	DRAWING FILE :		
REMOVE SHARP EDGES	ANGLE OF PROJECTION		
DIMENSIONS	U.S. INCHES		
U.S.	INCHES		
METRIC	MM		

Amphenol		
Amphenol East Asia Limited		
TITLE Stamped and formed contact,SD series		
SIZE	DRAWING NO.	REV.
A4	L717SDXXXPOL2	2
SCALE	NONE	SHEET 1 OF 1