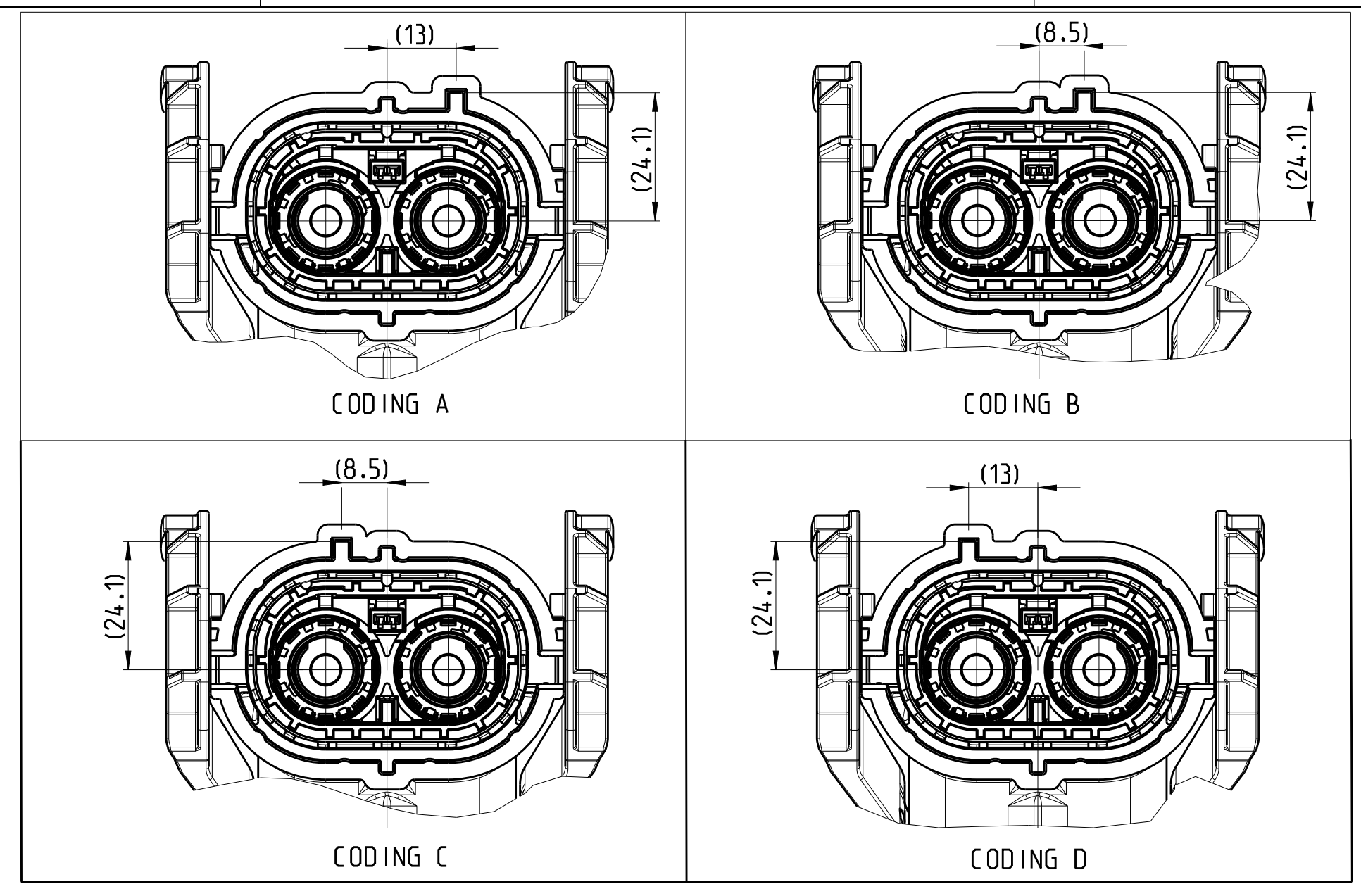
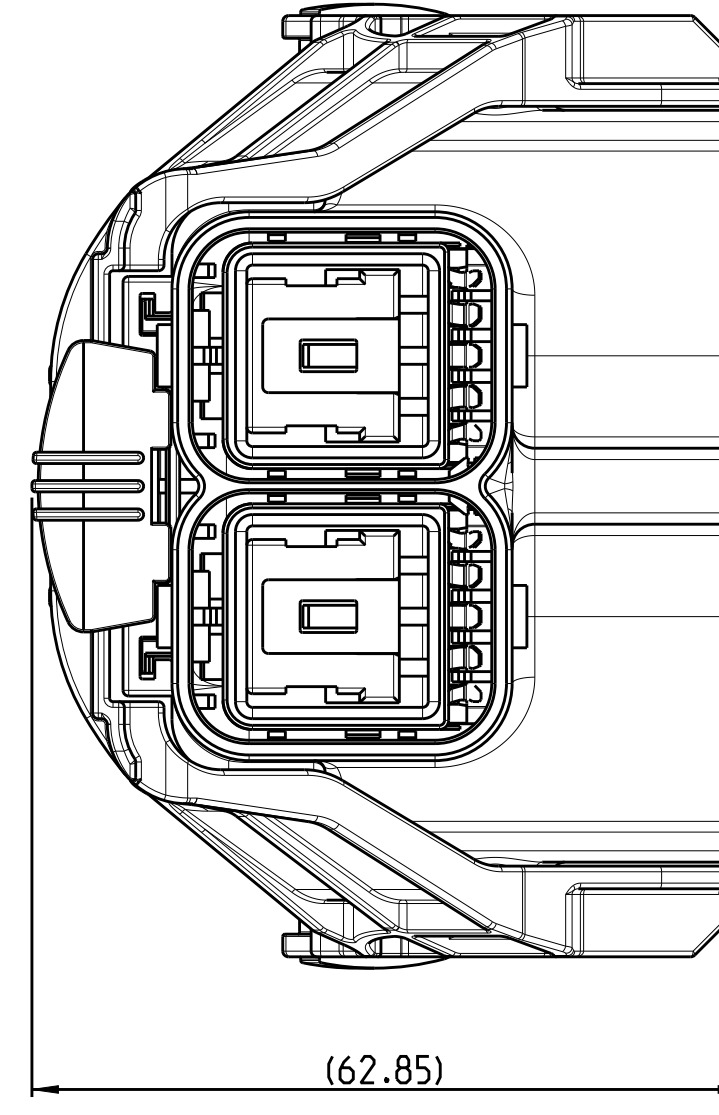
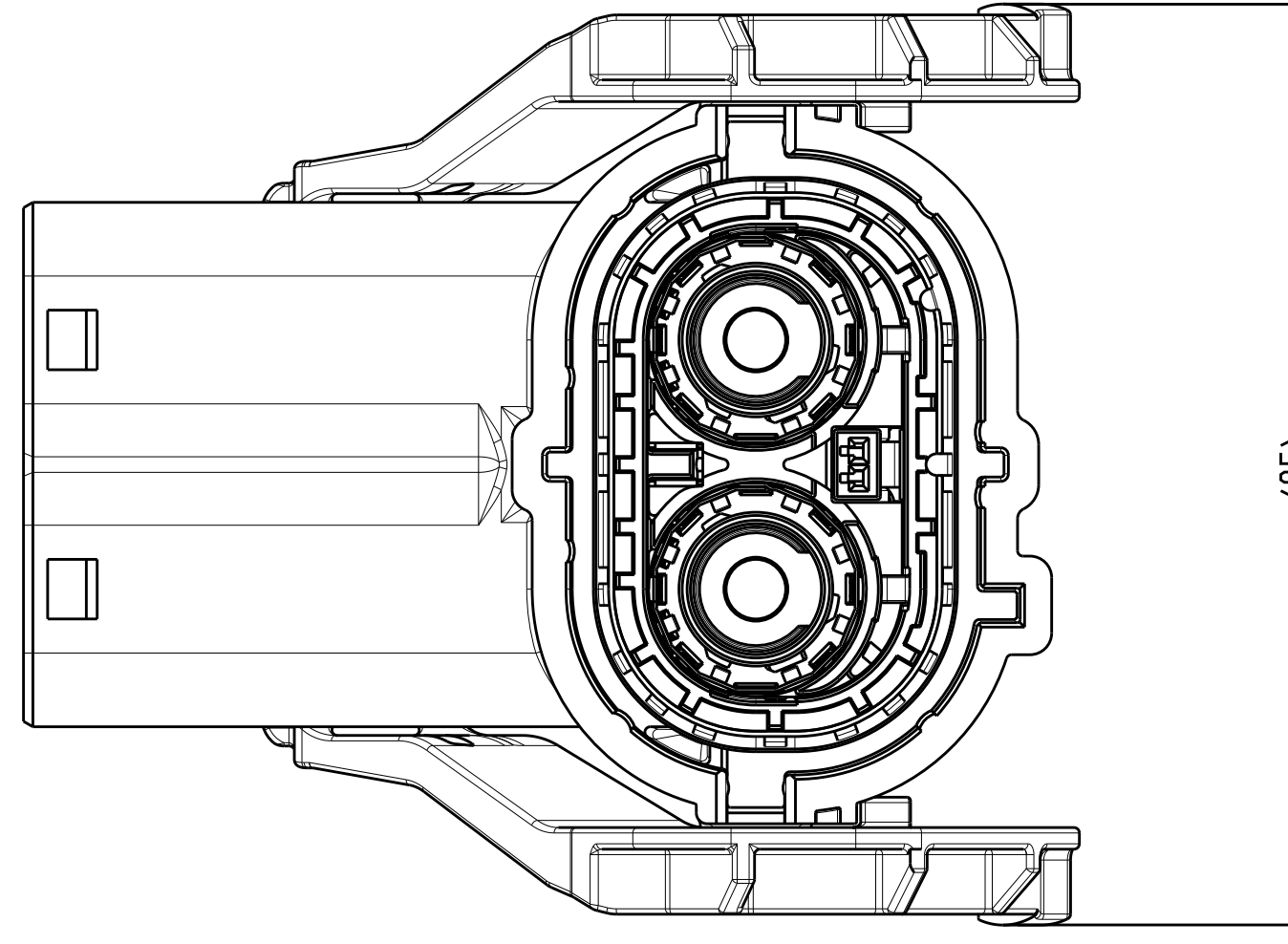
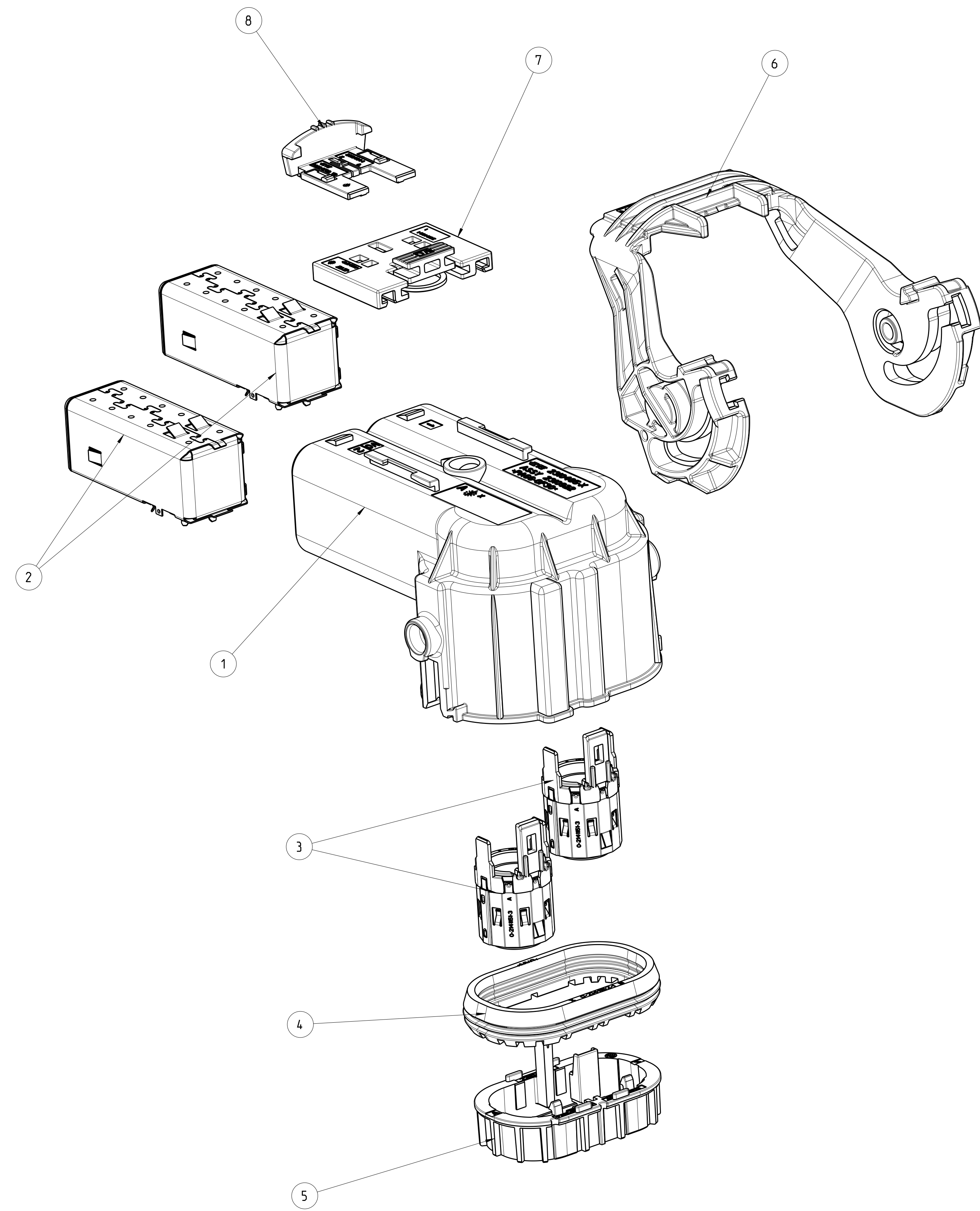
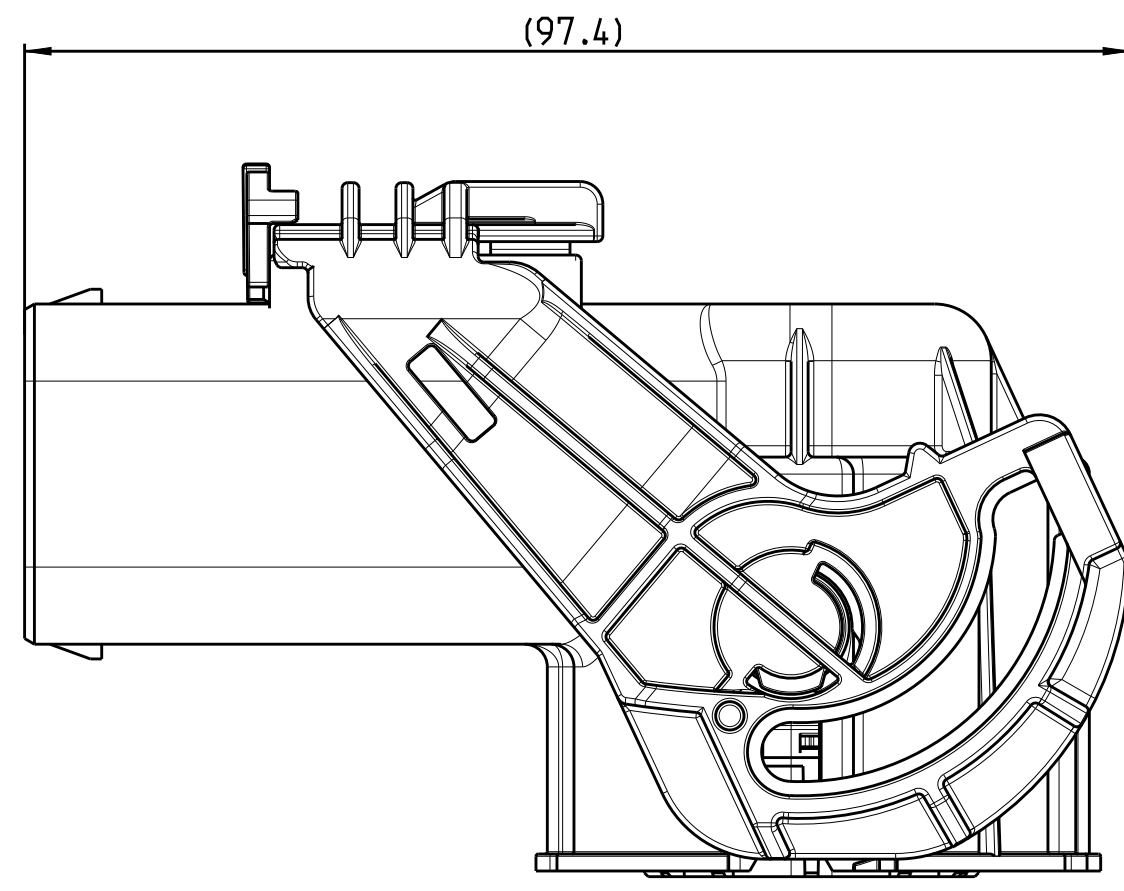


REVISIONS				
P	REV	DESCRIPTION	DATE	APPD
A2	REVISED	ECR-18-007819	22MAY18	JL EJ
B	REVISED	ECR-18-012813	12JUL18	JL EJ
B1	REVISED	ECO-19-000597	14JAN19	SX EJ
B2	REVISED	ECR-19-006021	16APR19	ZZ EJ



CODINGS



NOTES

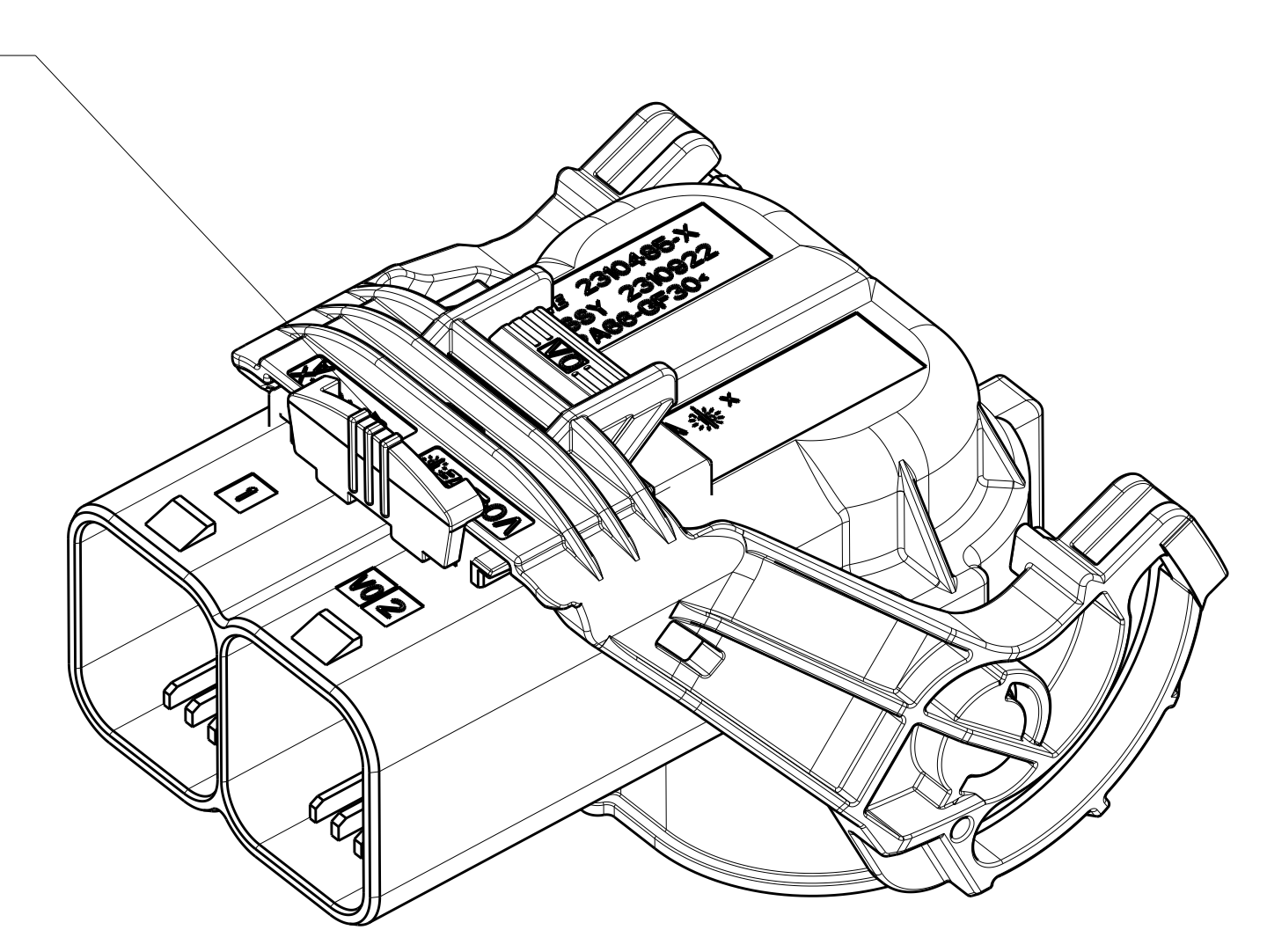
1 SHIELDING INFORMATION AND FIRE RETARTANT CLASS FOR PLASTIC PART SEE TABLE BELOW

P/N	SHIELDING INFORMATION	FIRE RETARTANT CLASS OF PLASTIC MATERIAL	REFERENCE DRAWING/NO FOR MISSING DIMENSION
2310922-1	COPPER ALLOY AG PLATING (Tmax 140°C)	VO	214.1154(1-214.1154-1)
2310922-2			214.1154(1-214.1154-2)
2310922-3			214.1154(1-214.1154-3)
2310922-4			214.1154(1-214.1154-4)
1-2310922-1	COPPER ALLOY PRE-TIN PLATING (Tmax 125°C)	HB	214.1154(1-214.1154-1)
1-2310922-2			214.1154(1-214.1154-2)
1-2310922-3			214.1154(1-214.1154-3)
1-2310922-4			214.1154(1-214.1154-4)
2-2310922-1			214.1154(1-214.1154-1)
2-2310922-2			214.1154(1-214.1154-2)
2-2310922-3			214.1154(1-214.1154-3)
2-2310922-4			214.1154(1-214.1154-4)

2 DELIVERY CONDITION: LEVER IN END-LOCKING POSITION, CPA CLOSED

3 PACKAGED IN CORRUGATED SHIPPING BOX

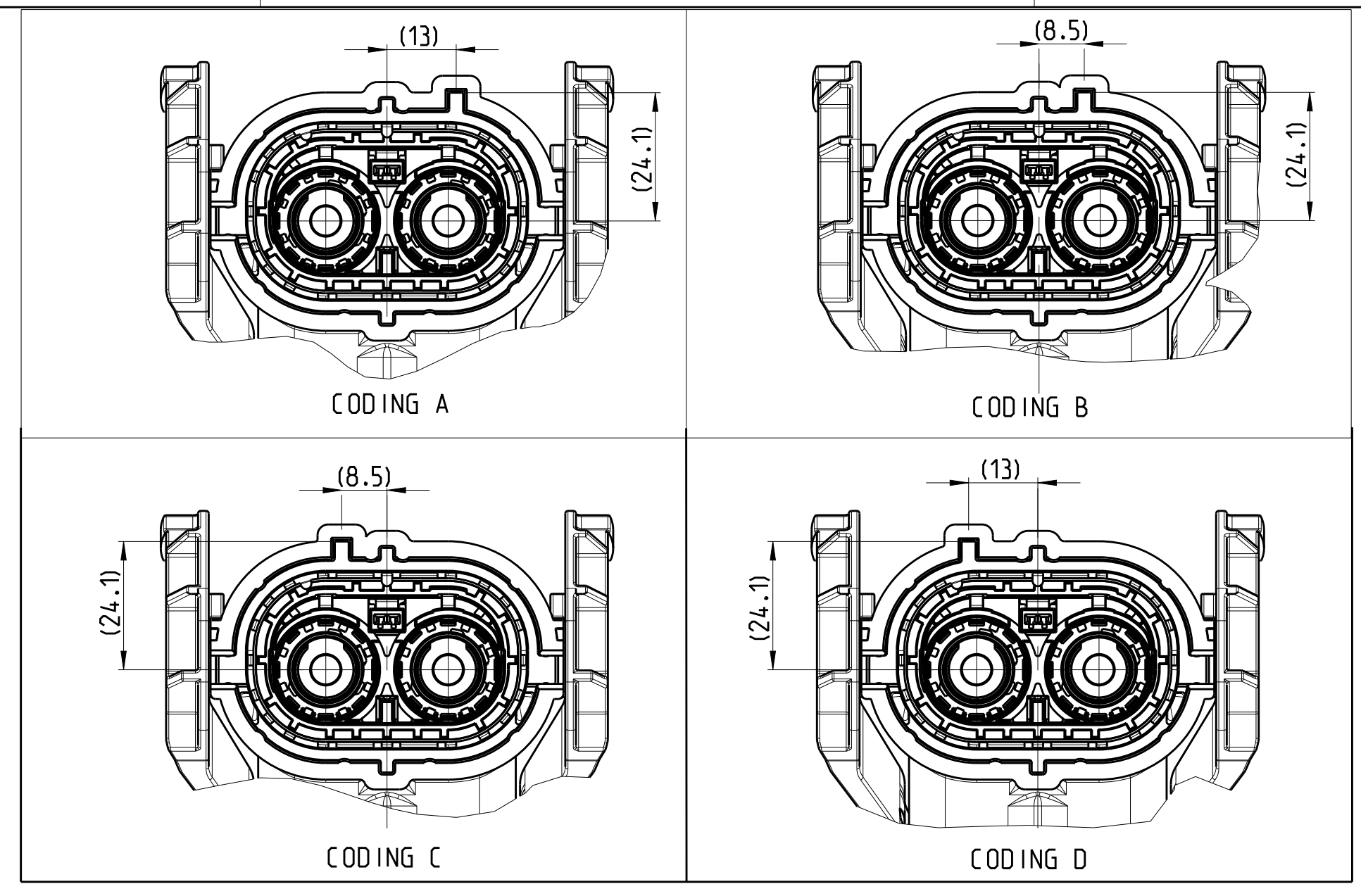
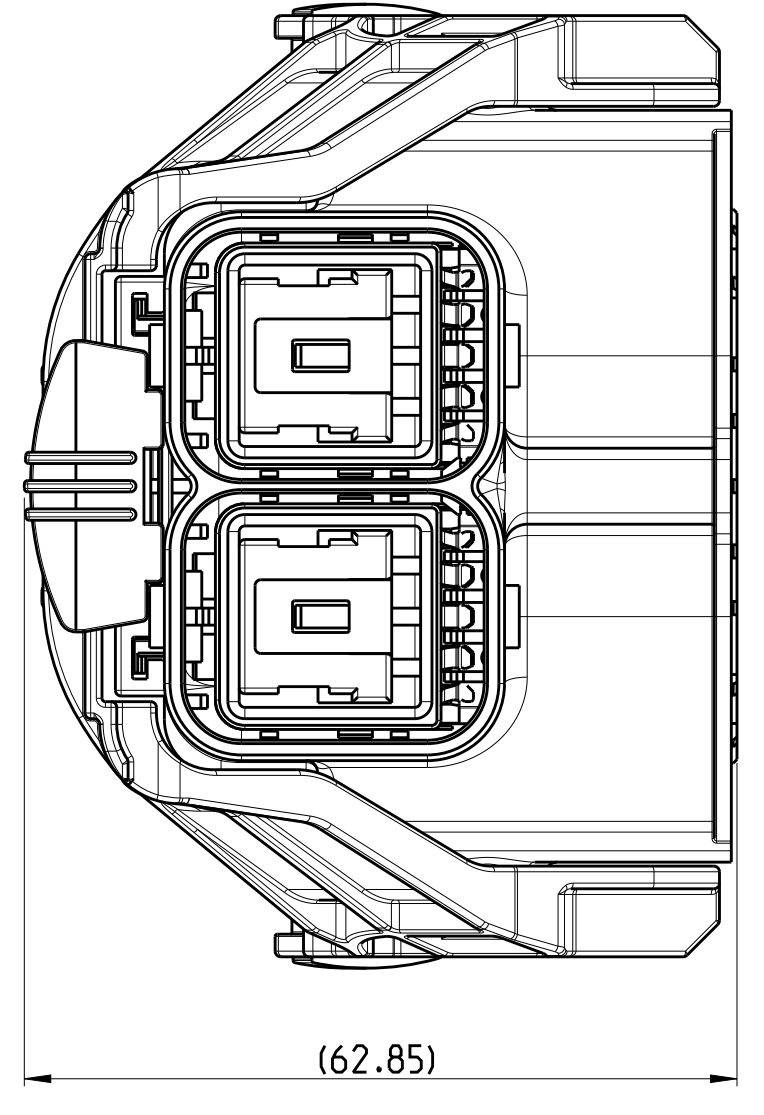
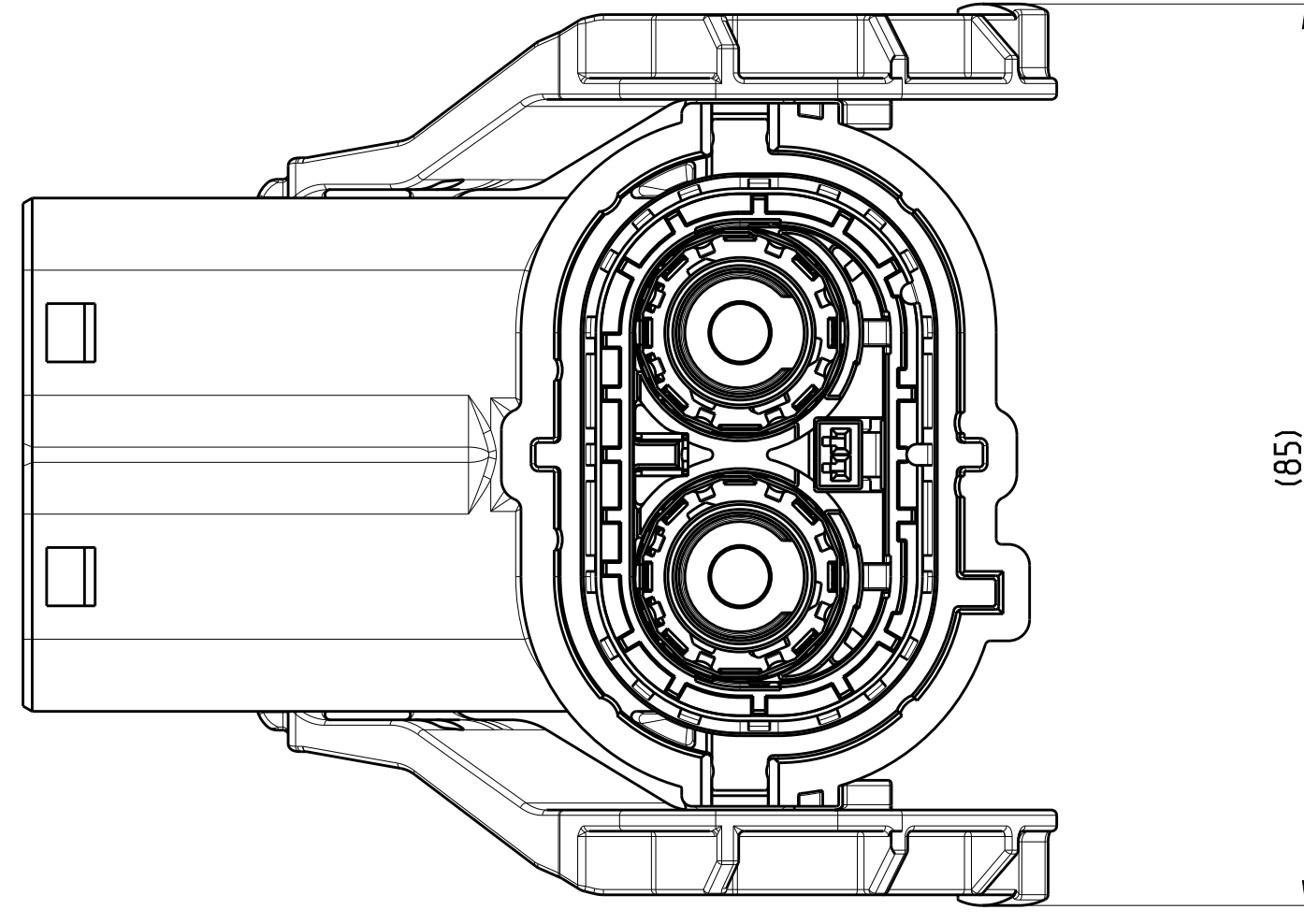
QTY	TE ASSY-NO.	ASSY-REV	DESCRIPTION	MATERIAL	WEIGHT (g)	TEMP		
1	2310922-4	A	CPA	PA66-GF V0	RED SIM RAL 3000	8		
1			ADAPTER	PA66-GF V0	DUSTY GRAY SIM RAL 7037	7		
1			LEVER, 2POS, 90 DEG	PA66-GF V0	WHITE SIM RAL 9010 (9001)	6		
1			2POS, MCON-1.2, REC HSG, 90 DEG, Assy	-	-	5		
1			RADIAL SEAL	SILICONE RUBBER	WHITE SIM RAL 9010	4		
2			ASSY: ISULATION INSERT - SHIELDING	⚠	-	3		
2			ASSY: ISULATION INSERT - SHIELDING	⚠	-	2		
1			2POS, 8MM HV, REC HSG, 90 DEG, SEALED	PA66-GF V0	ORANGE SIM RAL 2003	1		
1			2310922-3	A	CPA	PA66-GF V0	RED SIM RAL 3000	8
1					ADAPTER	PA66-GF V0	DUSTY GRAY SIM RAL 7037	7
1	LEVER, 2POS, 90 DEG	PA66-GF V0			BLACK SIM RAL 9005 (9011)	6		
1	2POS, MCON-1.2, REC HSG, 90 DEG, Assy	-			-	5		
1	RADIAL SEAL	SILICONE RUBBER			WHITE SIM RAL 9010	4		
2	ASSY: ISULATION INSERT - SHIELDING	⚠			-	3		
2	ASSY: ISULATION INSERT - SHIELDING	⚠			-	2		
1	2POS, 8MM HV, REC HSG, 90 DEG, SEALED	PA66-GF V0			ORANGE SIM RAL 2003	1		
1	2310922-2	A			CPA	PA66-GF V0	RED SIM RAL 3000	8
1					ADAPTER	PA66-GF V0	DUSTY GRAY SIM RAL 7037	7
1			LEVER, 2POS, 90 DEG	PA66-GF V0	WHITE SIM RAL 9010 (9001)	6		
1			2POS, MCON-1.2, REC HSG, 90 DEG, Assy	-	-	5		
1			RADIAL SEAL	SILICONE RUBBER	WHITE SIM RAL 9010	4		
2			ASSY: ISULATION INSERT - SHIELDING	⚠	-	3		
2			ASSY: ISULATION INSERT - SHIELDING	⚠	-	2		
1			2POS, 8MM HV, REC HSG, 90 DEG, SEALED	PA66-GF V0	ORANGE SIM RAL 2003	1		
1			2310922-1	A	CPA	PA66-GF V0	RED SIM RAL 3000	8
1					ADAPTER	PA66-GF V0	DUSTY GRAY SIM RAL 7037	7
1	LEVER, 2POS, 90 DEG	PA66-GF V0			BLACK SIM RAL 9005 (9011)	6		
1	2POS, MCON-1.2, REC HSG, 90 DEG, Assy	-			-	5		
1	RADIAL SEAL	SILICONE RUBBER			WHITE SIM RAL 9010	4		
2	ASSY: ISULATION INSERT - SHIELDING	⚠			-	3		
2	ASSY: ISULATION INSERT - SHIELDING	⚠			-	2		
1	2POS, 8MM HV, REC HSG, 90 DEG, SEALED	PA66-GF V0			ORANGE SIM RAL 2003	1		



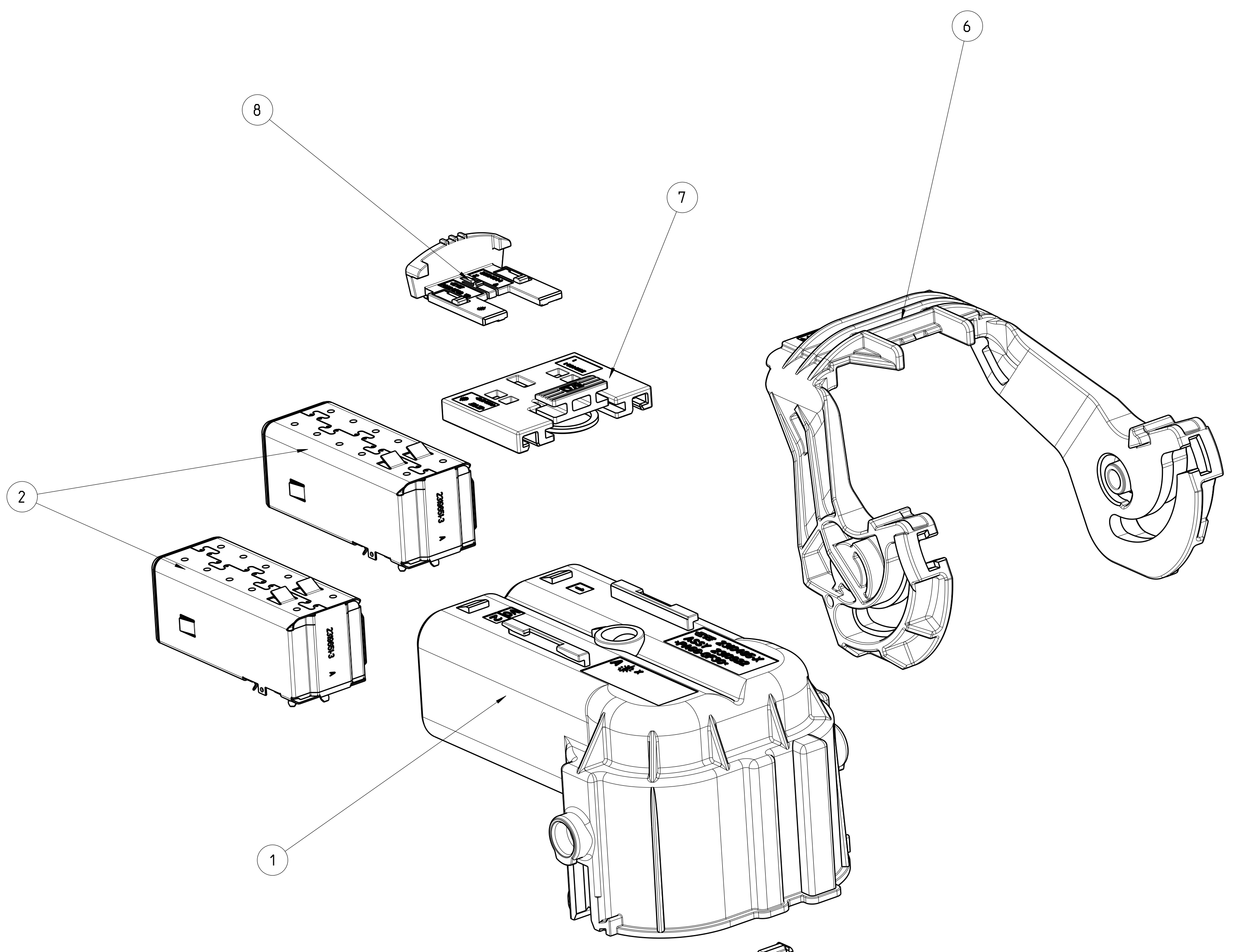
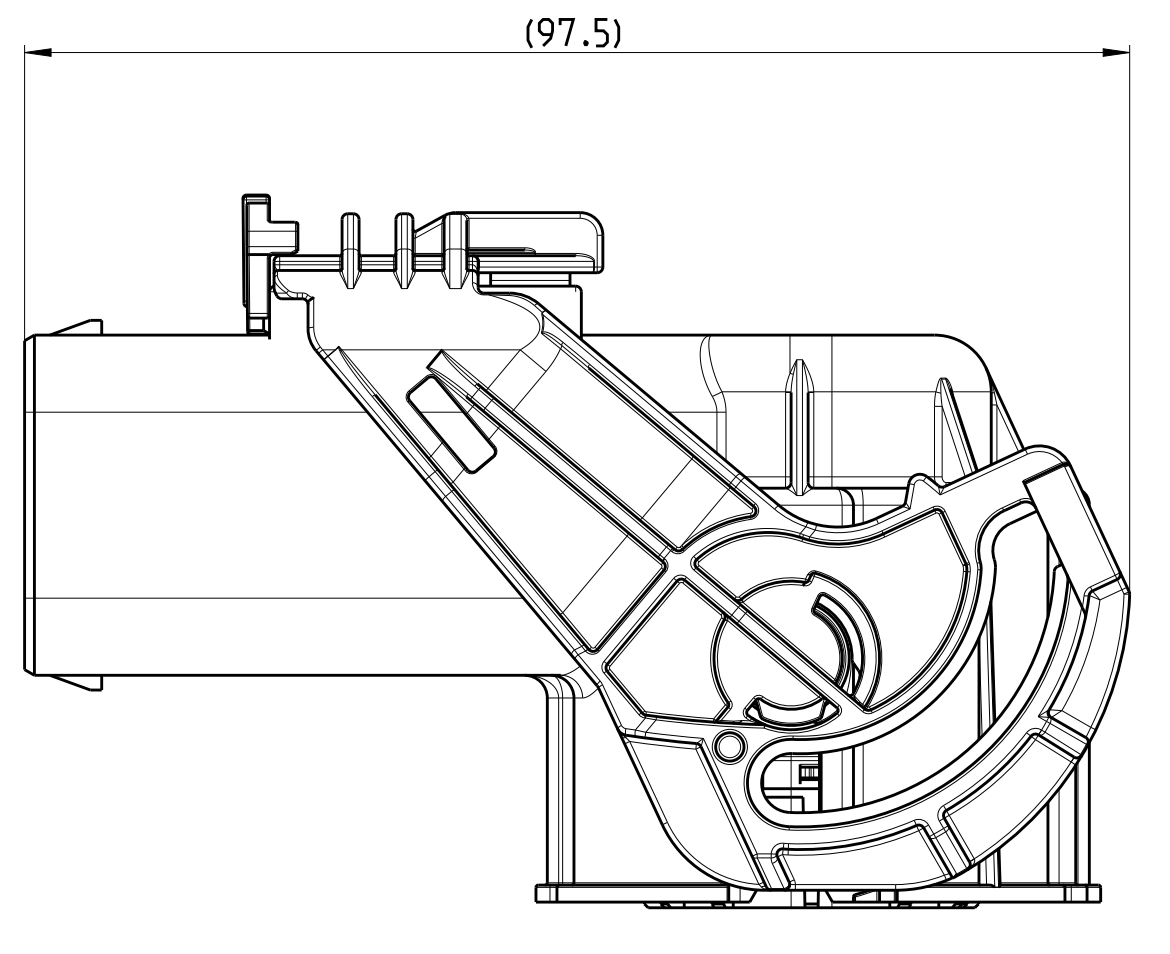
-1 AS SHOWN

THIS DRAWING IS A CONTROLLED DOCUMENT. DATE: 12 JUL 2017. DRAWN BY: J.L.I. CHECKED BY: S.Y. WANG. APPROVED BY: J. WANG. DATE: 02 AUG 2017. PART NO: 2310922. TITLE: 2POS, 8mm HV, REC HSG, 90 DEG, ASSY SEALED. SCALE: 1:1. SHEET: 1 OF 3. CUSTOMER DRAWING.

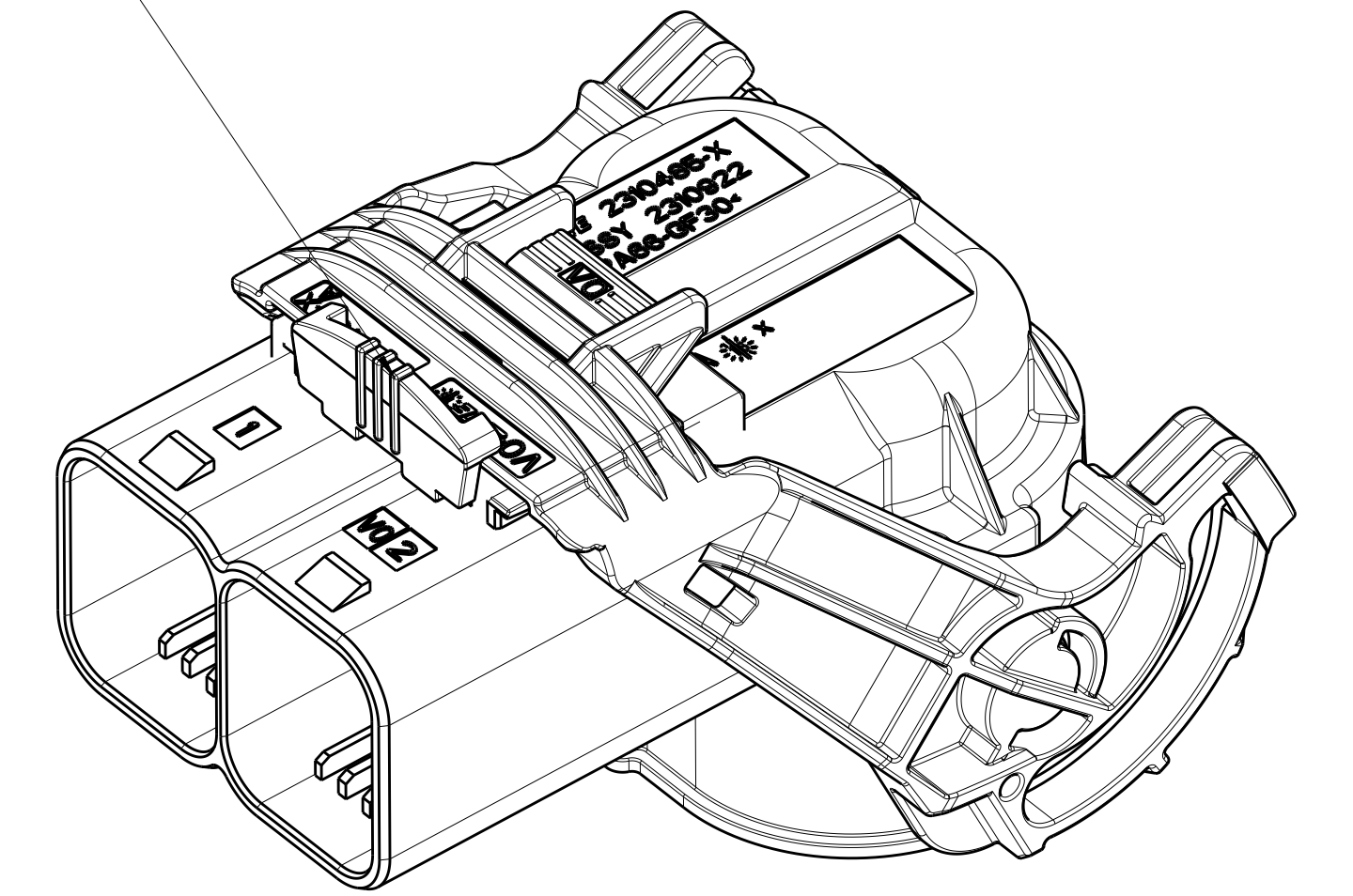
REVISIONS			
REV	DATE	DESCRIPTION	APPROVED
1		SEE SHEET 1	



CODINGS

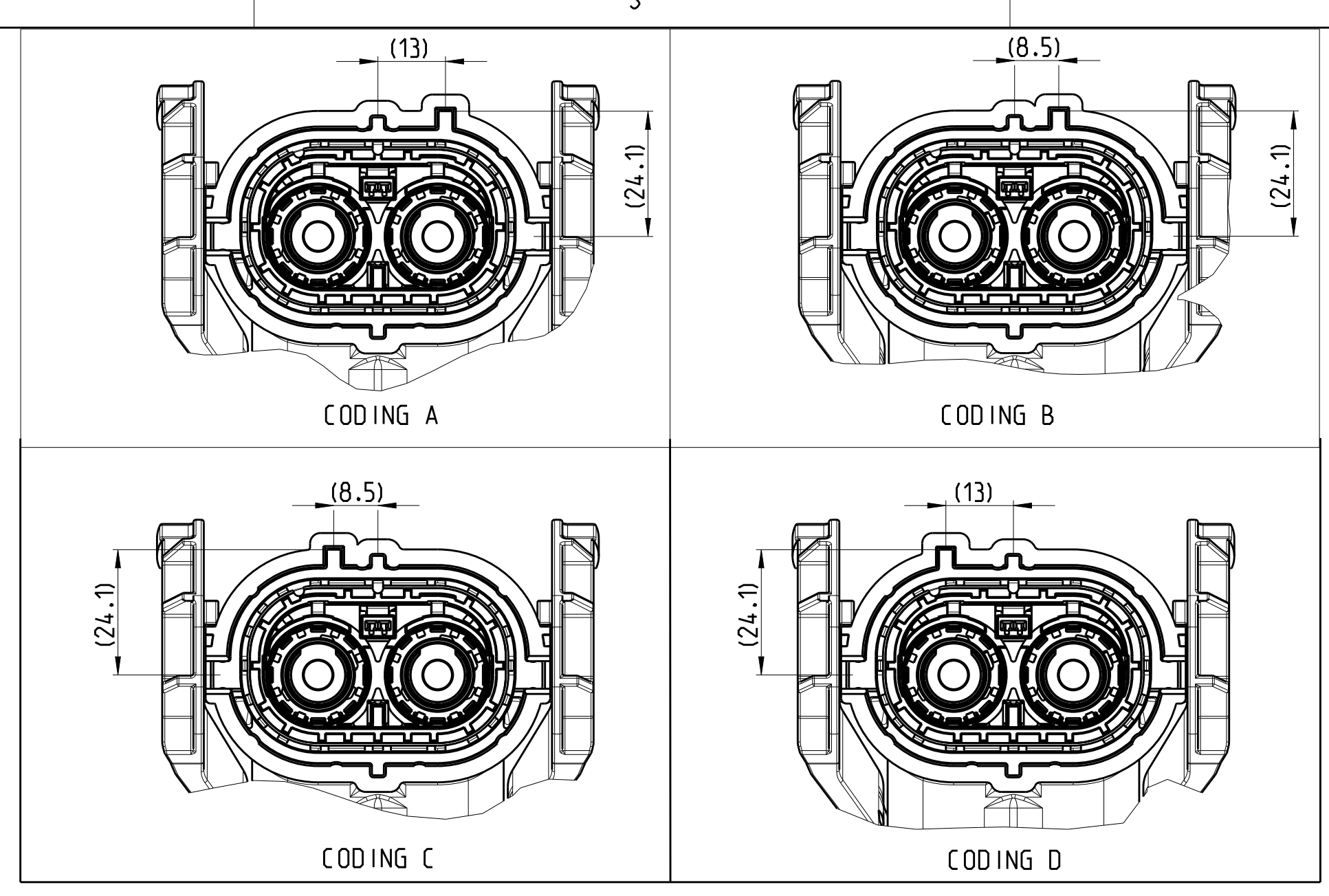
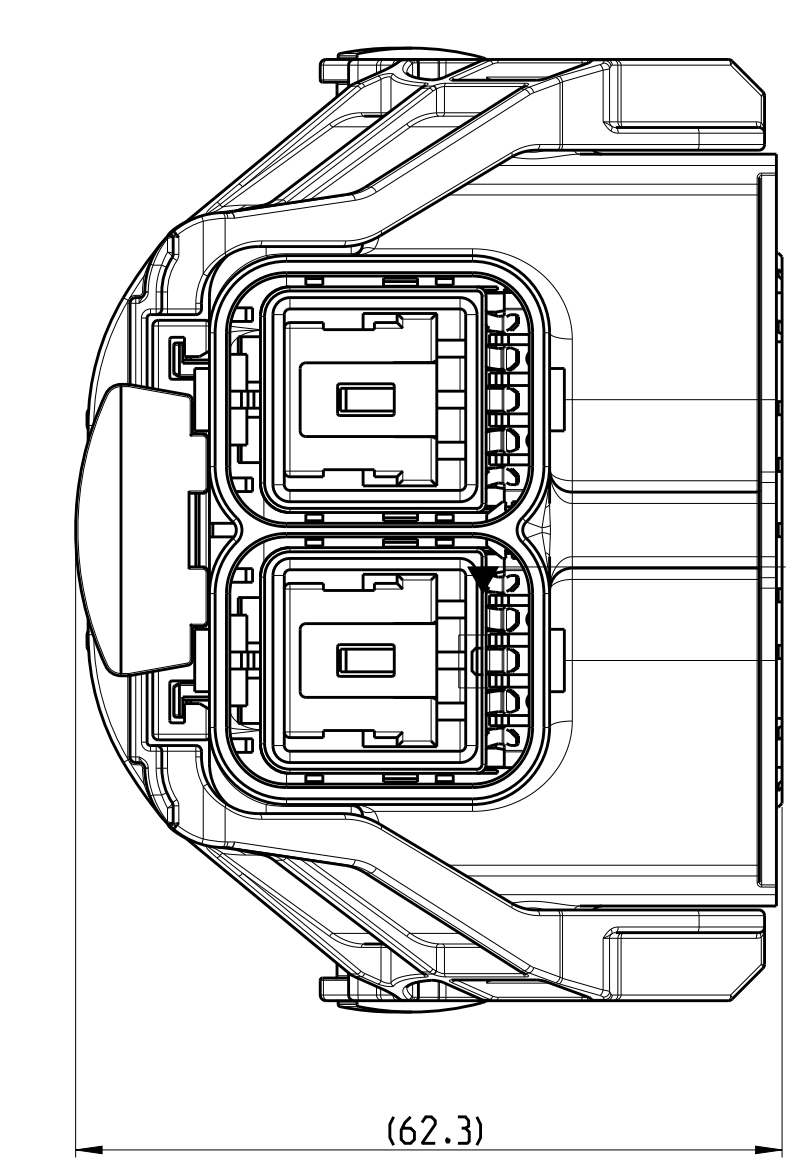
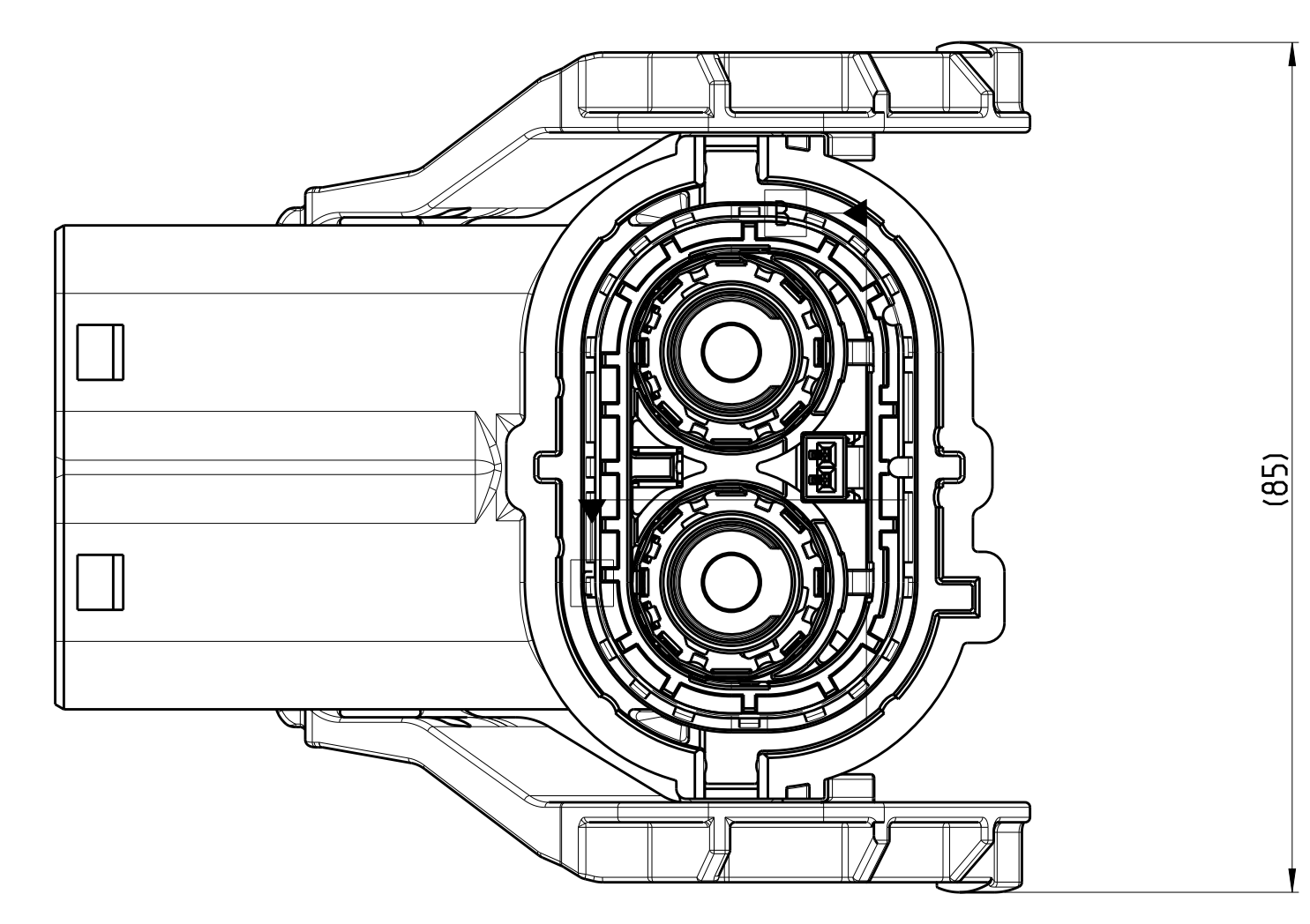


COD.	TE ASSY-NO.	ASSY-REV	QTY	DESCRIPTION	MATERIAL	WEIGHT (g)	SURFACE COLOUR	ITEM
D	1-2310922-4	A	1	CPA	PA66-GF V0	(141.6)	RED SIM RAL 3000	8
			1	ADAPTER	PA66-GF V0		DUSTY GRAY SIM RAL 7037	7
			1	LEVER, 2POS. 90 DEG	PA66-GF V0		WHITE SIM RAL 9010 (9001)	6
			1	2POS. MCON-1.2, REC HSG. 90 DEG. Assy	-		-	5
			1	RADIAL SEAL	SILICONE RUBBER		WHITE SIM RAL 9010	4
			2	ASSY: ISULATION INSERT - SHIELDING			-	3
			2	ASSY: ISULATION INSERT - SHIELDING			-	2
			1	2POS, 8MM HV, REC HSG. 90 DEG. SEALED	PA66-GF V0		ORANGE SIM RAL 2003	1
C	1-2310922-3	A	1	CPA	PA66-GF V0	(141.6)	RED SIM RAL 3000	8
			1	ADAPTER	PA66-GF V0		DUSTY GRAY SIM RAL 7037	7
			1	LEVER, 2POS. 90 DEG	PA66-GF V0		BLACK SIM RAL 9005 (9011)	6
			1	2POS. MCON-1.2, REC HSG. 90 DEG. Assy	-		-	5
			1	RADIAL SEAL	SILICONE RUBBER		WHITE SIM RAL 9010	4
			2	ASSY: ISULATION INSERT - SHIELDING			-	3
			2	ASSY: ISULATION INSERT - SHIELDING			-	2
			1	2POS, 8MM HV, REC HSG. 90 DEG. SEALED	PA66-GF V0		ORANGE SIM RAL 2003	1
B	1-2310922-2	A	1	CPA	PA66-GF V0	(141.6)	RED SIM RAL 3000	8
			1	ADAPTER	PA66-GF V0		DUSTY GRAY SIM RAL 7037	7
			1	LEVER, 2POS. 90 DEG	PA66-GF V0		WHITE SIM RAL 9010 (9001)	6
			1	2POS. MCON-1.2, REC HSG. 90 DEG. Assy	-		-	5
			1	RADIAL SEAL	SILICONE RUBBER		WHITE SIM RAL 9010	4
			2	ASSY: ISULATION INSERT - SHIELDING			-	3
			2	ASSY: ISULATION INSERT - SHIELDING			-	2
			1	2POS, 8MM HV, REC HSG. 90 DEG. SEALED	PA66-GF V0		ORANGE SIM RAL 2003	1
A	1-2310922-1	A	1	CPA	PA66-GF V0	(141.6)	RED SIM RAL 3000	8
			1	ADAPTER	PA66-GF V0		DUSTY GRAY SIM RAL 7037	7
			1	LEVER, 2POS. 90 DEG	PA66-GF V0		BLACK SIM RAL 9005 (9011)	6
			1	2POS. MCON-1.2, REC HSG. 90 DEG. Assy	-		-	5
			1	RADIAL SEAL	SILICONE RUBBER		WHITE SIM RAL 9010	4
			2	ASSY: ISULATION INSERT - SHIELDING			-	3
			2	ASSY: ISULATION INSERT - SHIELDING			-	2
			1	2POS, 8MM HV, REC HSG. 90 DEG. SEALED	PA66-GF V0		ORANGE SIM RAL 2003	1



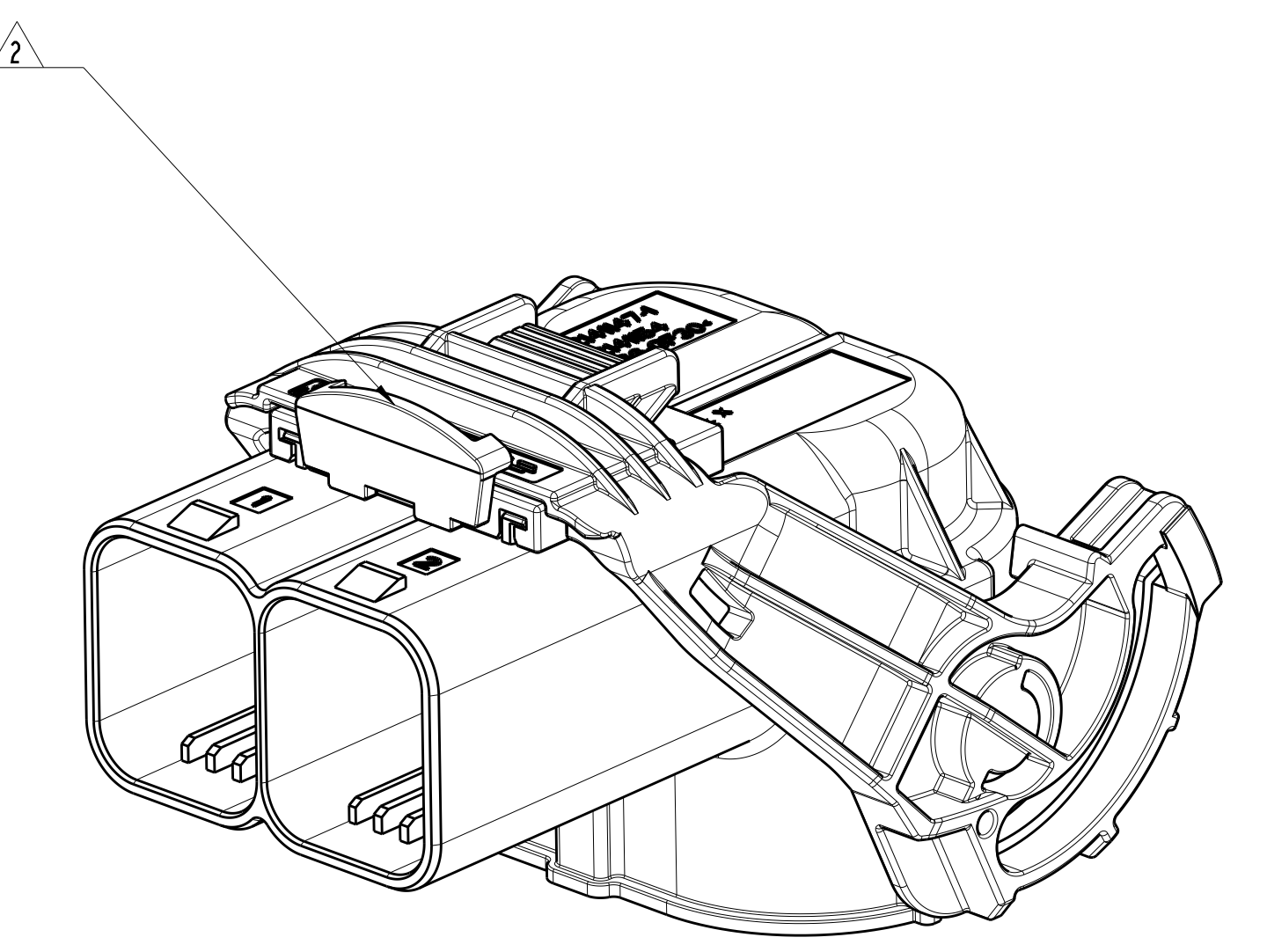
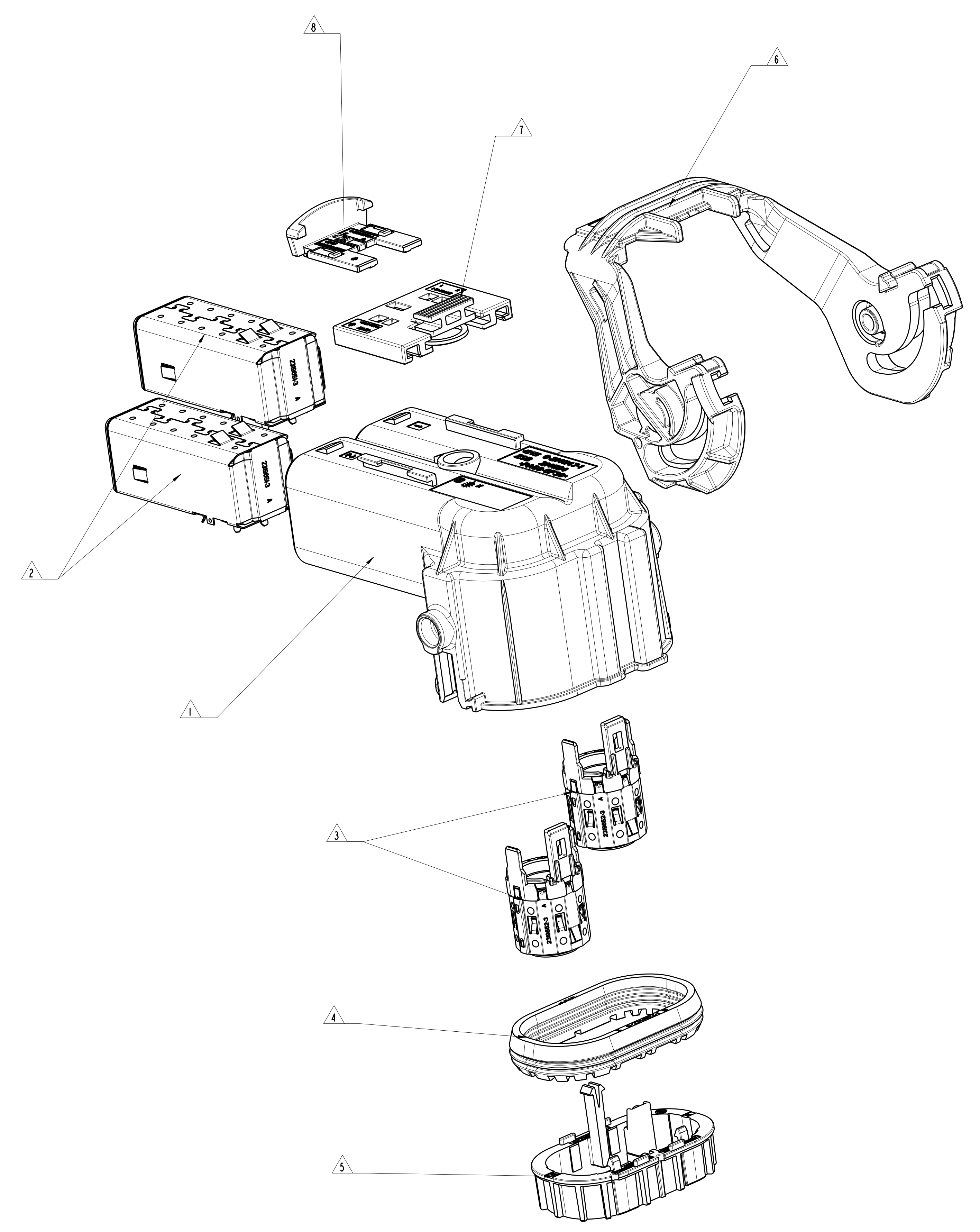
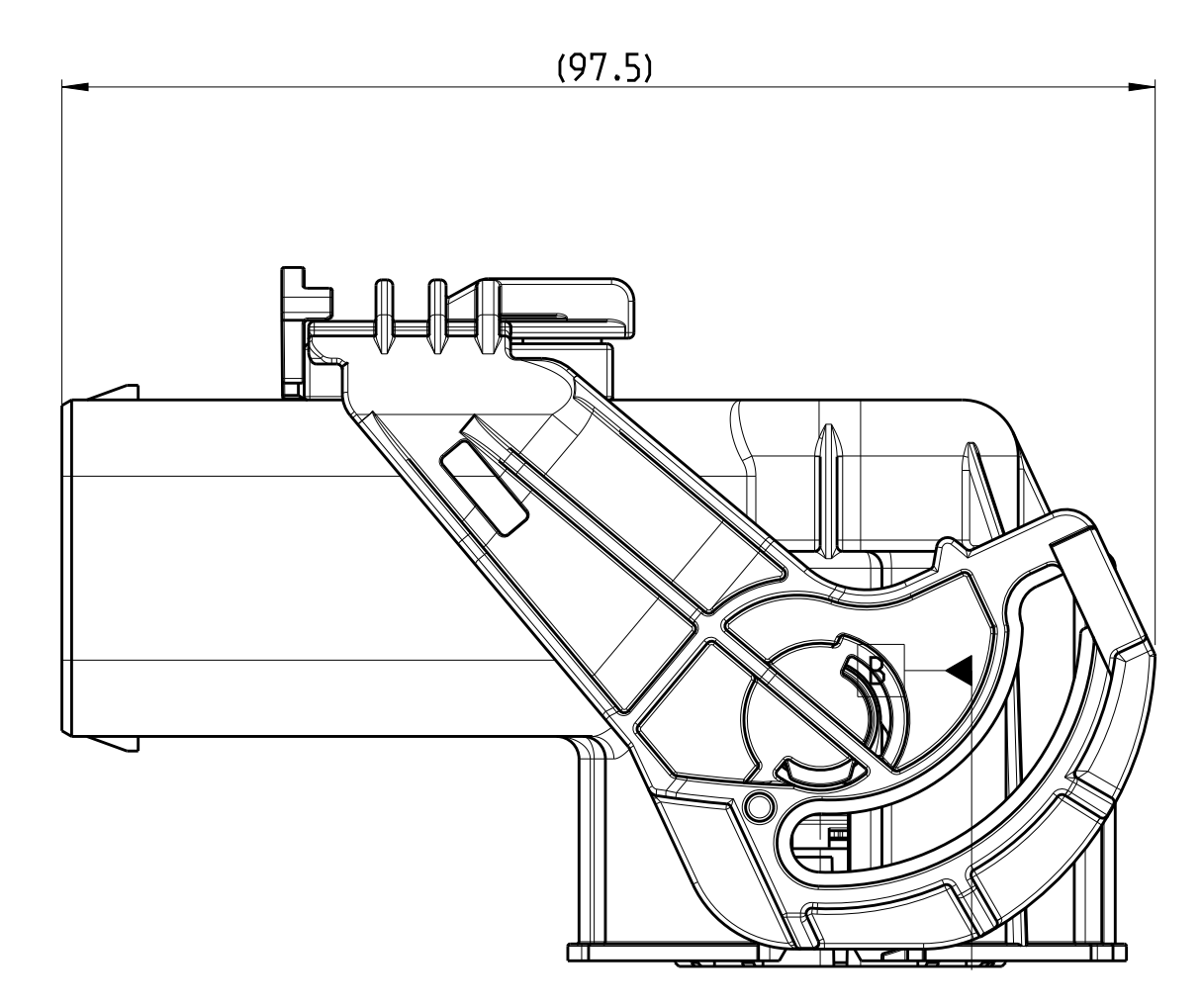
1--1 AS SHOWN

THIS DRAWING IS A CONTROLLED DOCUMENT.		DATE: 12 JUL 2017	BY: J.L.I.
DRAWING NO: 114-32213-001		DATE: 24 JUL 2017	BY: S.Y. WANG
REV: 01		DATE: 02 AUG 2017	BY: J.L.I.
SCALE: 1:1		PROJECT SPEC: REFER TO 100-32233	APPLICATION SPEC: REFER TO 114-32213
SHEET: 11		CASE CODE: 00779	DRAWING NO: 2310922
CUSTOMER DRAWING		RESTRICTED TO	



CODINGS

REVISIONS			
REV	DATE	BY	APPV
1			



COD.	TE ASSY-NO.	ASSY-REV	QTY	DESCRIPTION	MATERIAL	WEIGHT (g)	SURFACE COLOUR	ITEM
D	2-2310922-4	A	1	CPA	PA6-GF/GB	(141.6)	RED SIM RAL 3000	8
			1	ADAPTER	PA66-GF		DUSTY GRAY SIM RAL 7037	7
			1	LEVER, 2POS, 90 DEG	PA66-GF		WHITE SIM RAL 9010 (9001)	6
			1	2POS. MCON-1.2, REC HSG, 90 DEG, Assy	-		-	5
			1	RADIAL SEAL	SILICONE RUBBER		WHITE SIM RAL 9010	4
			2	ASSY: ISULATION INSERT - SHIELDING			-	3
			2	ASSY: ISULATION INSERT - SHIELDING			-	2
			1	2POS, 8MM HV, REC HSG, 90 DEG, SEALED	PA66-GF		ORANGE SIM RAL 2003	1
C	2-2310922-3	A	1	CPA	PA6-GF/GB	(141.6)	RED SIM RAL 3000	8
			1	ADAPTER	PA66-GF		DUSTY GRAY SIM RAL 7037	7
			1	LEVER, 2POS, 90 DEG	PA66-GF		BLACK SIM RAL 9005 (9011)	6
			1	2POS. MCON-1.2, REC HSG, 90 DEG, Assy	-		-	5
			1	RADIAL SEAL	SILICONE RUBBER		WHITE SIM RAL 9010	4
			2	ASSY: ISULATION INSERT - SHIELDING			-	3
			2	ASSY: ISULATION INSERT - SHIELDING			-	2
			1	2POS, 8MM HV, REC HSG, 90 DEG, SEALED	PA66-GF		ORANGE SIM RAL 2003	1
B	2-2310922-2	A	1	CPA	PA6-GF/GB	(141.6)	RED SIM RAL 3000	8
			1	ADAPTER	PA66-GF		DUSTY GRAY SIM RAL 7037	7
			1	LEVER, 2POS, 90 DEG	PA66-GF		WHITE SIM RAL 9010 (9001)	6
			1	2POS. MCON-1.2, REC HSG, 90 DEG, Assy	-		-	5
			1	RADIAL SEAL	SILICONE RUBBER		WHITE SIM RAL 9010	4
			2	ASSY: ISULATION INSERT - SHIELDING			-	3
			2	ASSY: ISULATION INSERT - SHIELDING			-	2
			1	2POS, 8MM HV, REC HSG, 90 DEG, SEALED	PA66-GF30		ORANGE SIM RAL 2003	1
A	2-2310922-1	A	1	CPA	PA6-GF/GB	(141.6)	RED SIM RAL 3000	8
			1	ADAPTER	PA66-GF		DUSTY GRAY SIM RAL 7037	7
			1	LEVER, 2POS, 90 DEG	PA66-GF		BLACK SIM RAL 9005 (9011)	6
			1	2POS. MCON-1.2, REC HSG, 90 DEG, Assy	-		-	5
			1	RADIAL SEAL	SILICONE RUBBER		WHITE SIM RAL 9010	4
			2	ASSY: ISULATION INSERT - SHIELDING			-	3
			2	ASSY: ISULATION INSERT - SHIELDING			-	2
			1	2POS, 8MM HV, REC HSG, 90 DEG, SEALED	PA66-GF		ORANGE SIM RAL 2003	1

2--1 AS SHOWN

THIS DRAWING IS A CONTROLLED DOCUMENT.

DATE: 12 JUL 2017
 DRAWN BY: J.L.I.
 CHECKED BY: S.Y. WANG
 APPROVED BY: S.Y. WANG
 DATE: 24 JUL 2017

PROJECT: 2POS, 8mm HV, REC HSG, 90 DEG, ASSY
 DRAWING NO: 2310922
 SHEET: 3 OF 3

SCALE: 1:1

STC TE Connectivity

00779