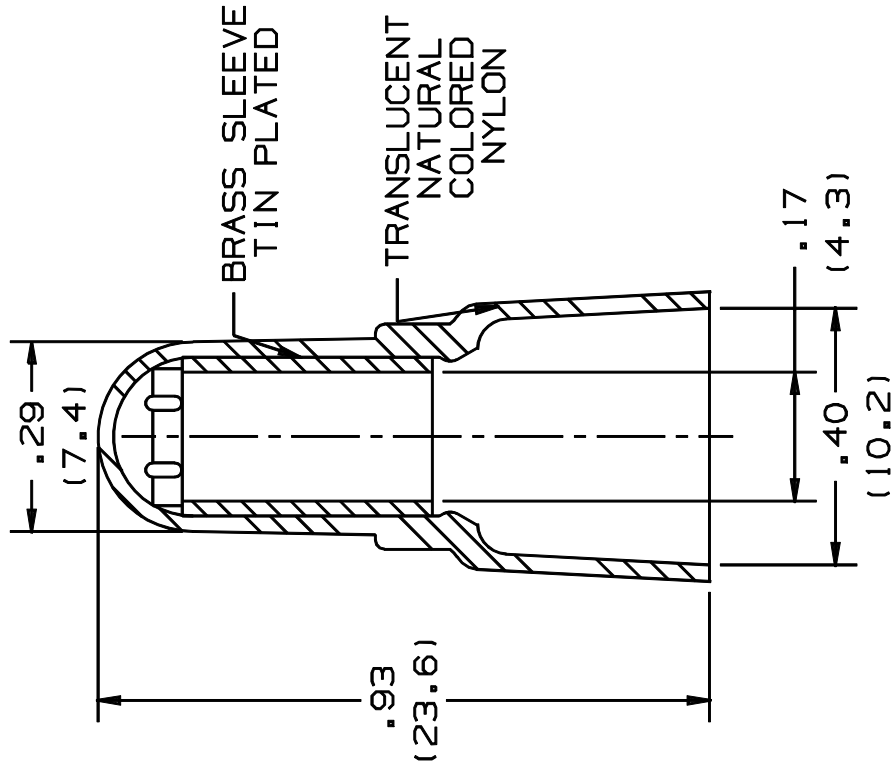


THIS COPY IS PROVIDED ON A RESTRICTED BASIS AND IS NOT TO BE USED IN ANY WAY DETRIMENTAL TO THE INTERESTS OF PANDUIT CORP.

WIRE COMBINATION CHART

WIRE SIZE	NO. OF WIRES	NUMBER OF ADDITIONAL WIRES OF ONE SIZE			
		#18	#16	#14	#12
#18	1	3-6	2-5	2-3	1
	2	2-5	2-4	1-2	1
	3	1-4	1-3	1-2	1
	4	1-3	1-3	1-2	1
	5	1-2	1-2	1	0
#16	1	3-6	2-4	1-2	1
	2	1-5	1-3	1-2	1
	3	1-4	1-2	1	1
	4	1-2	1	0	0
	5	1	0	0	0
#14	1	2-6	1-4	1-2	1
	2	1-4	1-2	1	1
	3	1	0	0	0
#12	1	1-4	1-3	1-2	1
	2	1	0	0	0



NOTES :

- UL LISTED AND CSA CERTIFIED FOR:
 - A. 600V. MAX. BLDG. WIRE, 1000V. MAX. IN SIGNS, FIXTURES AND LUMINARIES
 - B. 221°F (105°C) MAX. TEMP. RATING
 - C. WIRE COMBINATIONS OF #18AWG-#12 SOLID OR STRANDED COPPER WIRE
- PACKAGE QUANTITY:
 - STD. PKG. -C = 100
 - BULK PKG. -M = 1000
- DIMENSIONS IN BRACKETS ARE IN MILLIMETERS
- INSTALLATION TOOLS:
 - UL LISTED AND CSA CERTIFIED: CT-100, CT-250, CT-550, CT-1550, & CT-1551
- WIRE STRIP LENGTH: 1/2 *1/32 *0 (12.7 *0.0)



LISTED 587H E52164
CERTIFIED LR31212

A41343-03

		PANDUIT CORP.		TINLEY PARK, ILLINOIS	
03	1/01	RM	FILESPEC WAS N41343AA_PCD_02		
02	11/95	ED	REVISED NOTES, TABLE, & DIMEN.S 03808		
01	11-88	DW	LM	REDRAWN TO REVISIONS	
REV	DATE	BY	CHK	DESCRIPTION	
			DAW	CUST	PM
			SCALE	NONE	DRAWING NO.
					A41343A

NYLON INSULATED WIRE JOINT
JN418-212