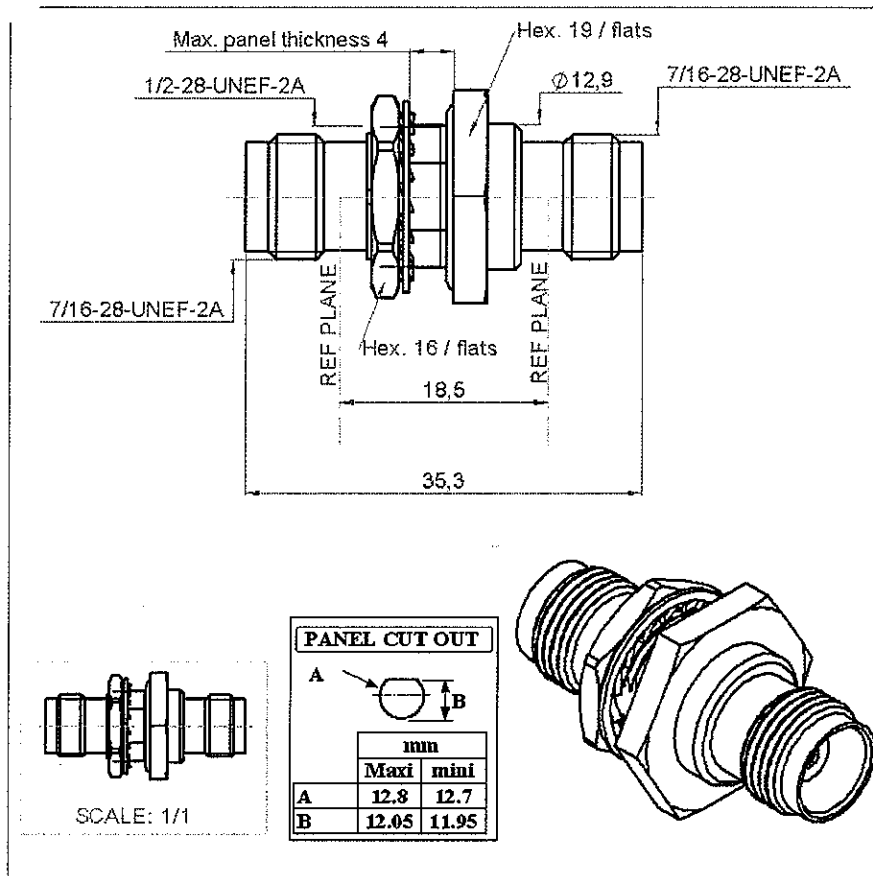


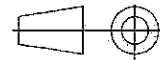
**FEMALE-FEMALE HERMETIC ADAPTOR
BULKHEAD PANEL SEAL**

R143.753.000

Series : TNC



All dimensions are in mm.



COMPONENTS	MATERIALS	PLATINGS (µm)
BODY	BRASS	NICKEL 2
CENTER CONTACT	BERYLLIUM COPPER	GOLD 0.5 OVER NICKEL 2
OUTER CONTACT	-	-
INSULATOR	PTFE+GLASS BEAD	-
GASKET	BLACK FLUOROCARBON	-
OTHERS PARTS	BRASS	NICKEL 2
-	-	-
-	-	-

Issue : 0504 E

In the effort to improve our products, we reserve the right to make changes judged to be necessary.



FEMALE-FEMALE HERMETIC ADAPTOR

R143.753.000

BULKHEAD PANEL SEAL

Series : TNC

PACKAGING

SPECIFICATION

Standard	Unit	Other
100	'W' option	Contact us

ELECTRICAL CHARACTERISTICS

ENVIRONMENTAL

Impedance		50 Ω
Frequency		0-11 GHz
VSWR	1.45 +	0.000 x F(GHz) Maxi
Insertion loss		0.07 √F(GHz) dB Maxi
RF leakage	- (57 - F(GHz)) dB Maxi
Voltage rating		500 Veff Maxi
Dielectric withstanding voltage		1500 Veff mini
Insulation resistance		5000 MΩ mini

Operating temperature	-65/+100 ° C
Hermetic seal	10-8 Atm.cm3/s
Panel leakage	NA

OTHERS CHARACTERISTICS

Assembly instruction

Others :

MECHANICAL CHARACTERISTICS

Center contact retention		
Axial force – Mating end		26 N mini
Axial force – Opposite end		26 N mini
Torque		NA N.cm mini
Recommended torque		
Mating		NA N.cm
Panel nut		260 N.cm
Mating life		500 Cycles mini
Weight		23.232 g

Issue : 0504 E

In the effort to improve our products, we reserve the right to make changes judged to be necessary.



Mouser Electronics

Authorized Distributor

Click to View Pricing, Inventory, Delivery & Lifecycle Information:

Radial:

[R143753000W](#)