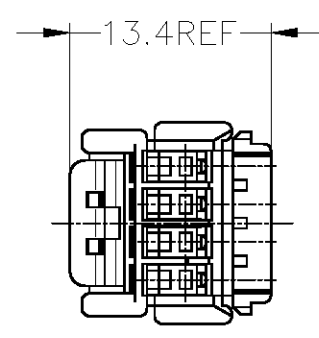
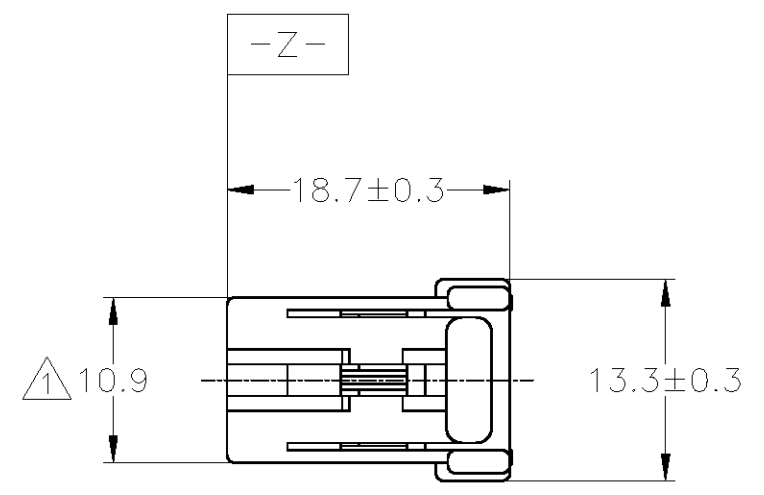
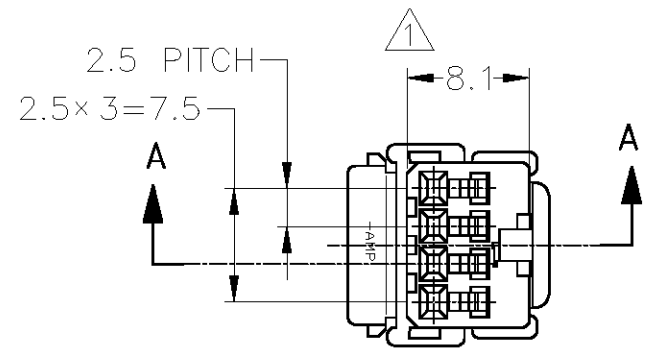
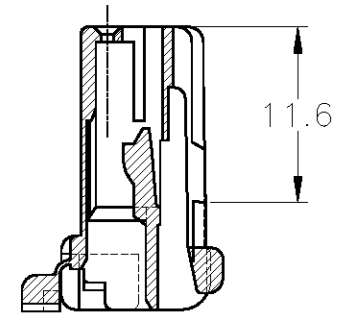


THIS DRAWING IS UNPUBLISHED. RELEASED FOR PUBLICATION
 © COPYRIGHT - By - ALL RIGHTS RESERVED.

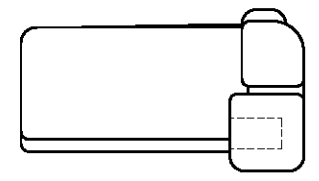
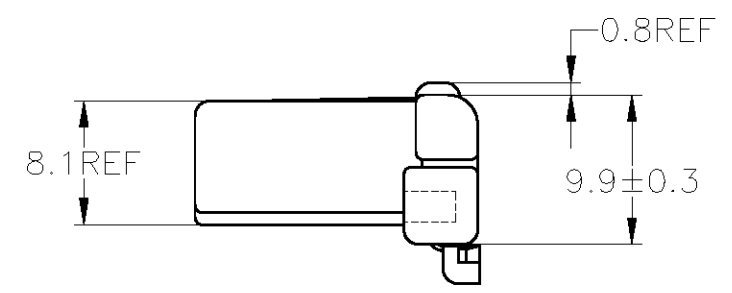
LOC	DIST	REVISIONS						
		P	LTR	DESCRIPTION	DATE	DWN	APVD	
J	-		B4	REVISED	ECR-13-018510	08JAN2014	TS	KB



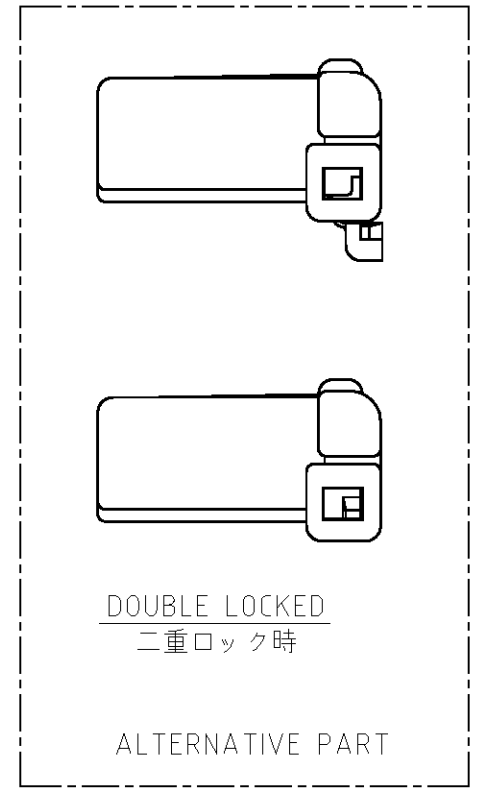
- △ TO BE MEASURED WITHIN 2mm FROM [-Z-]
 - 2. THE MATING CAP HOUSING PART NUMBER: 174967
 - 3. APPLICABLE CONTACT PART NUMBER: 173681, 175180
- △ [-Z-] 面から2mmの範囲で測定。
 - 2. 相手側ハウジング型番: 174967
 - 3. 適用端子型番: 173681, 175180



A-A



DOUBLE LOCKED
二重ロック時



DOUBLE LOCKED
二重ロック時

ALTERNATIVE PART

BLUE	174966-5
GREEN	174966-4
BLACK	174966-2
COLOR	PART NUMBER

TOLERANCE UNLESS OTHERWISE SPECIFIED: 一般公差

0 < x ≤ 10	: ±0.2
10 < x ≤ 30	: ±0.25
30 < x ≤ 100	: ±0.3
ANGLE ; 角度	: ±3°

THIS DRAWING IS A CONTROLLED DOCUMENT.

DIMENSIONS: 単位: 耗 mm	TOLERANCES UNLESS OTHERWISE SPECIFIED: 一般公差
	0 PLC ± -
	1 PLC ± -
	2 PLC ± -
	3 PLC ± -
	4 PLC ± -
MATERIAL 材料 PBT	FINISH 仕上 -

DWN T.SHINOHARA 07MAR06
CHK K.BETSUI 07MAR06
APVD K.BETSUI 07MAR06
PRODUCT SPEC 製品規格 108-5352
APPLICATION SPEC 取付適用規格 114-5094, -5162
WEIGHT 1.1 g

STE TE Connectivity			
040 SERIES MULTI-LOCK CONNECTOR 4POSITION PLUG HOUSING			
SIZE	CAGE CODE	DRAWING NO 番号	RESTRICTED TO
A3	00779	C-174966	-
CUSTOMER DRAWING		SCALE 尺度 2:1	SHEET 1 OF 1 REV B4