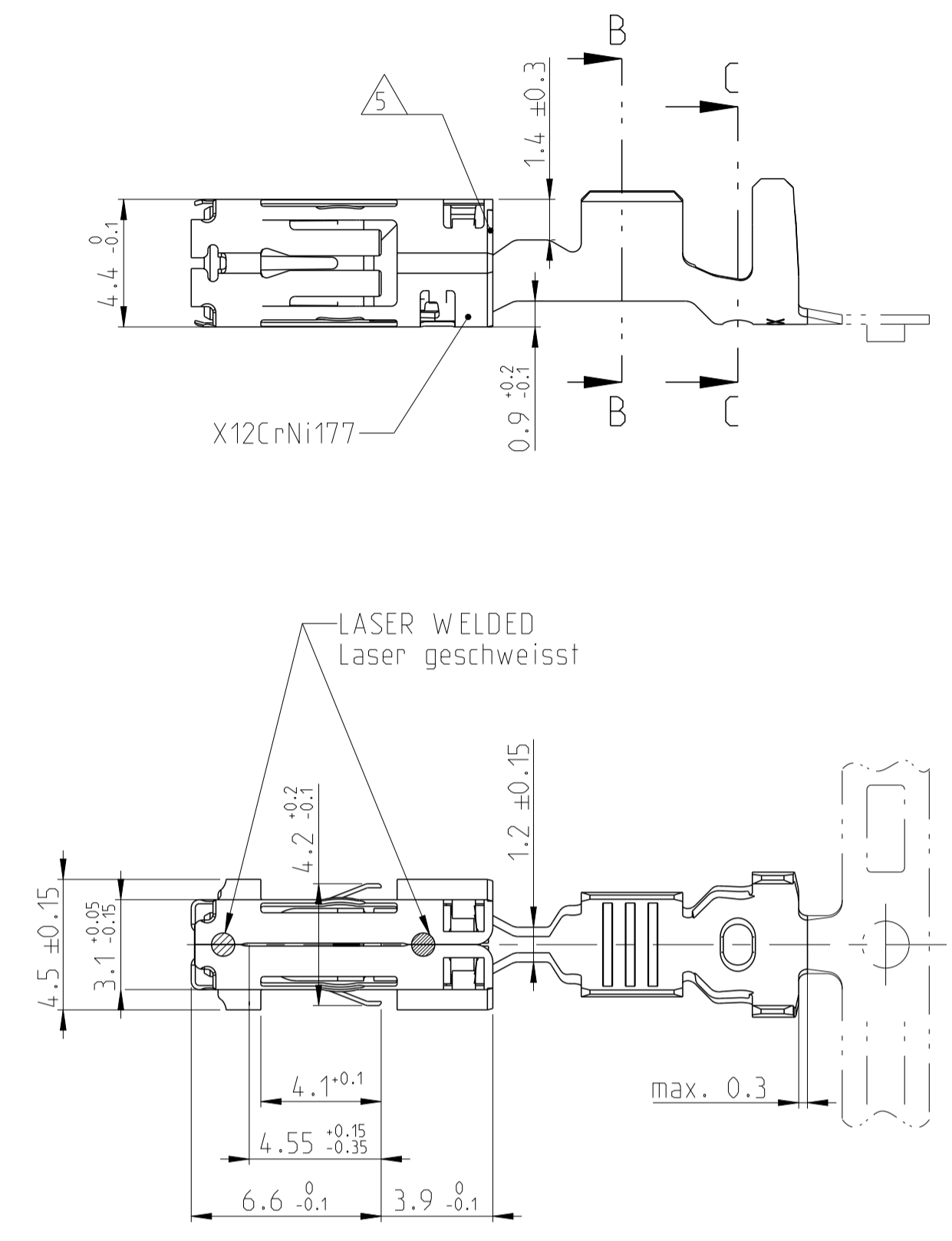
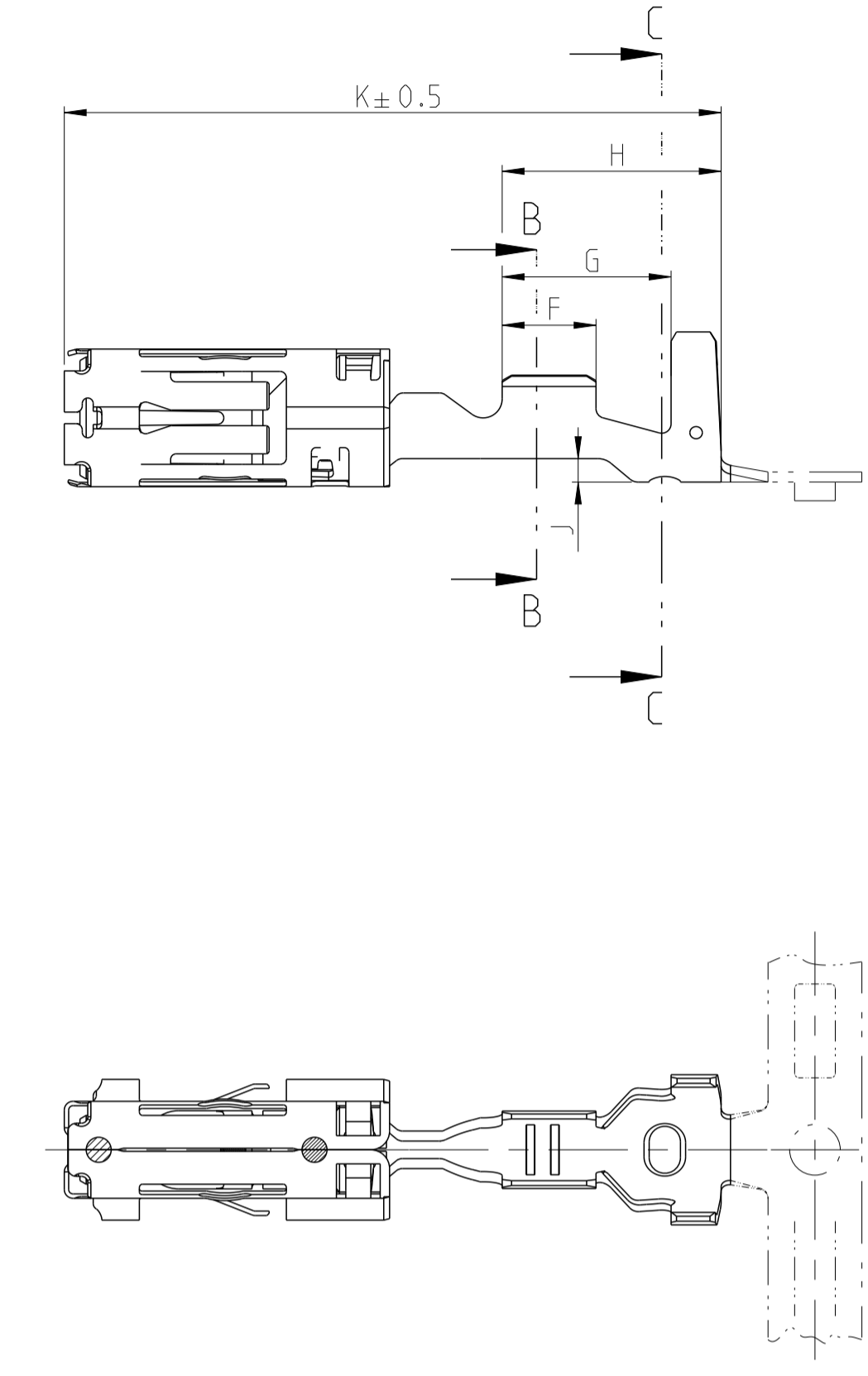


REVISIONS				
P.	LTN	DESCRIPTION	DATE	APVD
A		NEW DRAWING CREATED	05.JUL.2004	PFEI BLEI
A1		PCN E-19-011373	01AUG2019	MAH. BECK

### PN 1703035-X

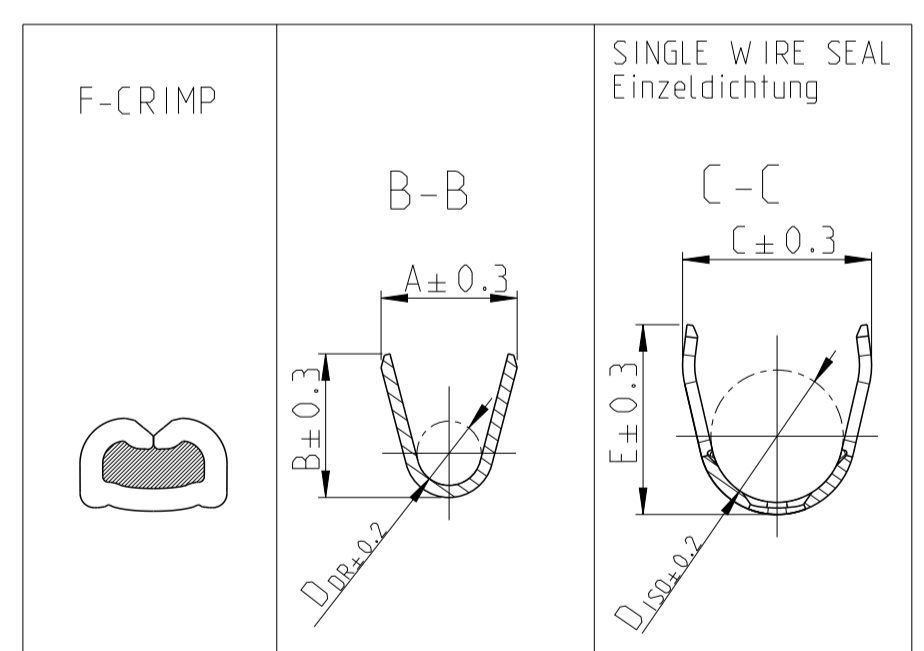


### PN 1703034-X



**NOTES**  
Bemerkungen

- MATING PART SEE INTERFACE SPECIFICATION: Gegenstecker nach Ausfuehrungsvorschrift: 114-18230-002; 2.8 <sup>+0.3</sup>/<sub>-0.1</sub> x 0.8 ± 0.03
- ONLY FOR FLR-WIRE SEE DIN 72551, PART 6  
Nur fuer FLR-Leitung nach DIN 72551, PART 6
- ONLY IN ZONE OF CONTACT  
Nur in Kontaktzone
- 
- OUTSIDE EDGE SWAGED  
Aussenkante angepraegt
- CRIMPDATA SEE APPLICATION SPEC.  
Crimpdata sind der Verarbeitungsspezifikation zu entnehmen
- DETAILS OF DESIGN ARE LEFT TO MANUFACTURER  
Einzelheiten der Ausfuehrung bleiben dem Hersteller ueberlassen
- ONLY THE GERMAN-LANGUAGE VERSION SHALL BE BINDING  
Massgebend ist der deutsche Text
- STRIP THICKNESS OF THE BODY 0.32 ± 0.01  
Kontaktkoerper Banddicke 0.32 ± 0.01
- STRIP THICKNESS OF THE SPRING 0.14 ± 0.01  
Banddicke der Ueberfeder 0.14 ± 0.01



VERSION Ausfuehrung	TE ORDER NO. STRIP FORM	REV.	MATERIAL Werkstoff	SURFACE Oberflaeche	APPLICATION TOOL Anschlag- WKZ	HAND TOOL Handzange	WIRE SIZE RANGE Leiter- querschnitt mm <sup>2</sup>	PROCESSING PARAMETERS Verarbeitungs- parameter	CRIMP DIMENSIONS Crimpabmessungen mm											SINGLE WIRE SEAL Einzelichtung	DEAD END PLUG Blindstopfen		
									A	B	D <sub>DR</sub>	C	E	D <sub>ISO</sub>	F	G	H	J	K			TE NO.	TE NO.
	-	-	CuNiSi	GOLD PLATED vergoldet	TE NO. X-878974-X	Basis-HZ TE NO. 354940-1	2.5	6	3.6	3.8	1.7	5.0	5.0	3.5	3.5	5.9	7.5	0.8	21	828905-1	828922-1		
	1703035-2	A		PRE TIN PLATED verzinkt																		Matrize TE NO. 539704-1	1.5
	-	-	CuNiSi	GOLD PLATED vergoldet	TE NO. X-878973-X	Basis-HZ TE NO. 354940-1	1.0	6	2.5	2.7	1.2	4.8	4.8	3.3	3	5.4	7	0.75	21	828904-1	828922-1		
	1703034-2	A		PRE TIN PLATED verzinkt																		Matrize TE NO. 539703-1	0.75
	-	-		PRE TIN PLATED verzinkt																			0.5
	1703034-1	A																					

THIS DRAWING IS A CONTROLLED DOCUMENT.

DIMENSIONS: mm	TOLERANCES UNLESS OTHERWISE SPECIFIED:	0 PLC ±	1 PLC ±	2 PLC ±	3 PLC ±	4 PLC ±	ANGLES ±	FINISH
-------------------	--	---------	---------	---------	---------	---------	----------	--------

OWN: G. Abraham 01 JUL 2004  
CHK: M. Pfeilschiffer 02 JUL 2004  
APVD: M. Pfeilschiffer 05 JUL 2004

**TE** TE Connectivity

NAME: PRODUCT GROUP DRAWING  
Tabellenzeichnung  
2.8mm SENSOR FLAT RECEPTACLE

SIZE: CAGE CODE DRAWING NO. RESTRICTED TO  
114-18144-1  
WEIGHT: 0.625 g  
CUSTOMER DRAWING

SCALE: 5:1 SHEET 1 OF 1 REV: A1