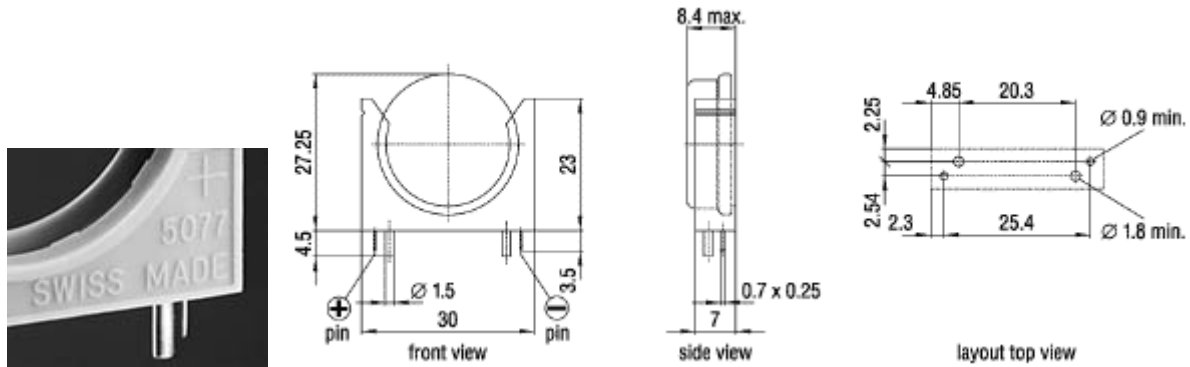


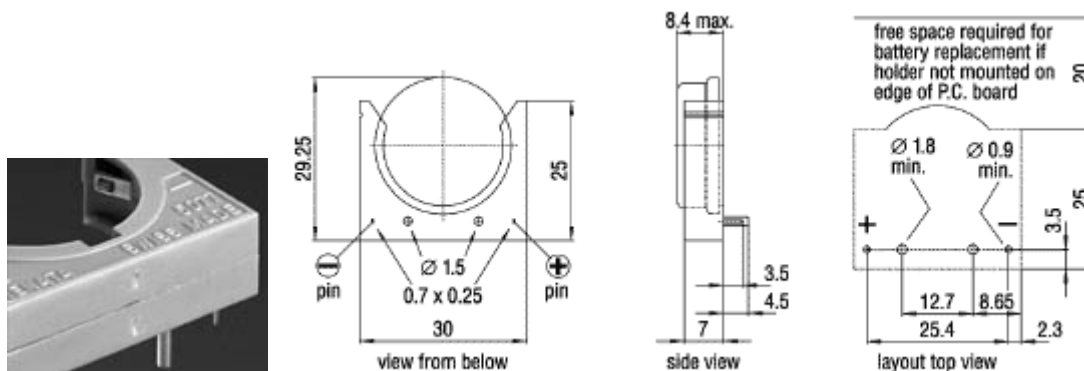
Download [Pdf File](#). Get [Acrobat Reader](#).

Battery Holders for RENATA CR2450N or CR2477N

NH5077 Vertical version



NL5077 Horizontal version



Features

- Easy and fast replacement of used-up batteries
- Snap-on fixing for button cells
- Clear separation of connections
- Safety against short circuits
- Safety against inverse polarity
- Safety against leak currents
- Solid design
- Easy and safe P.C.B. mounting due to additional positioning pins
- For wave soldering
- Silver/Palladium contacts
- Solder pins tin-plated

Specifications

- Holder material: polyamide 66. Flammability rating UL 94 V-2
- Battery contacts: Nickel 996
- Solder pins and supports tin/lead plated throughout, min. 5µm.
- Weights: NH5077 2,4g, NL5077 2,9g