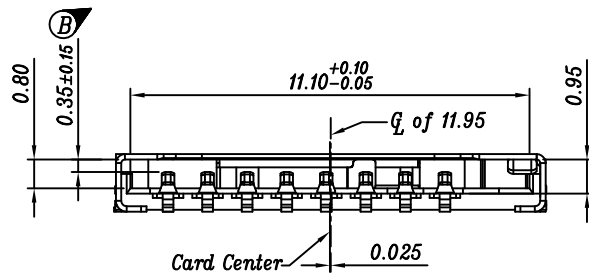
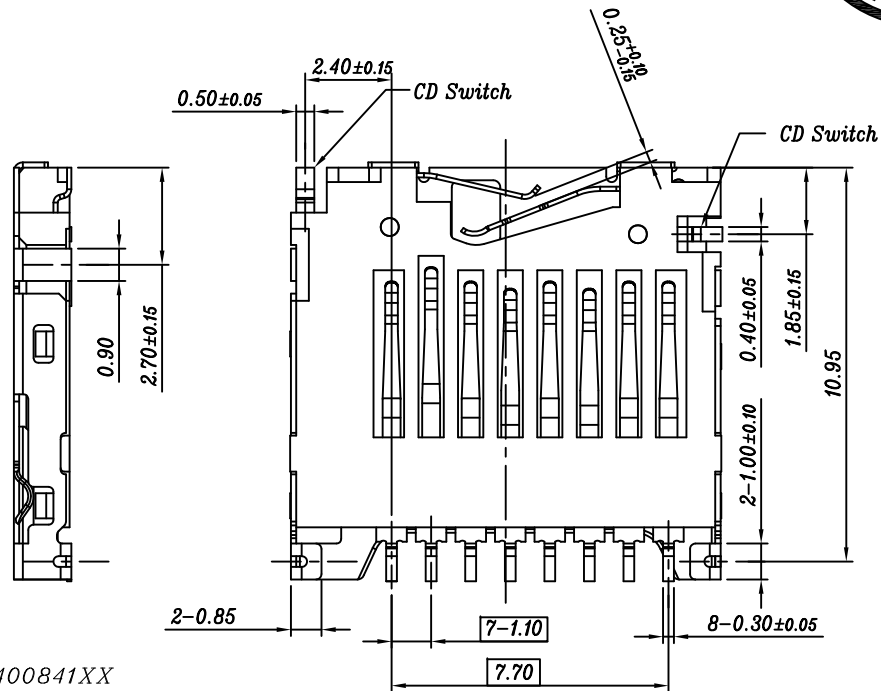
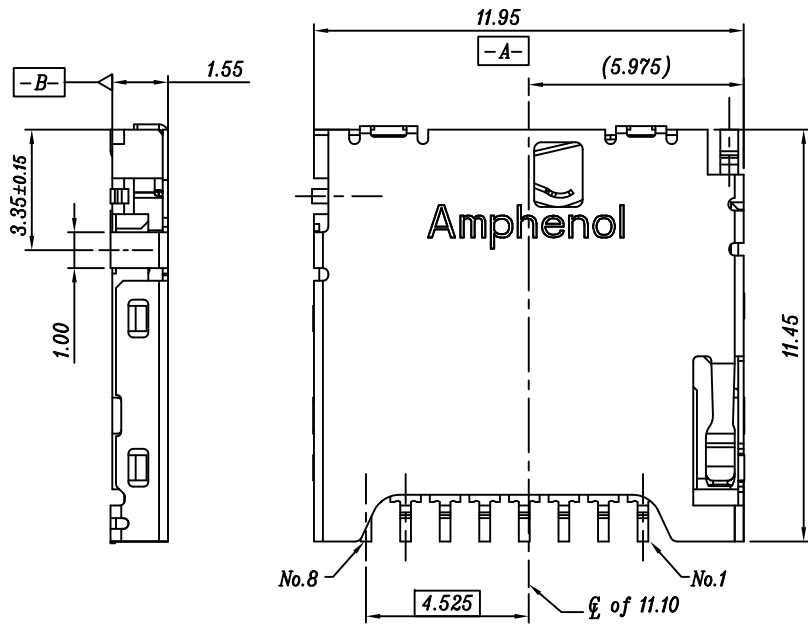
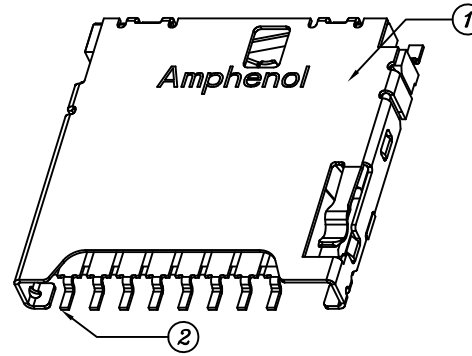
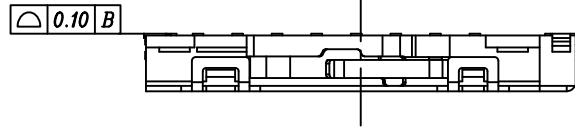


REV.	ECN NO.	MODIFY CONTENT	DATE
A	10030261	Rev. A release	03/05/10
B	13120139	Modify Dimension Tolerance	12/26/13
C	19080003	ADD Card detection switch	08/20/19



11400841XX

- 64 Plating Au 1u" on contact area, Tin 120u" Min on solder tail.
- 65 Plating Au 3u" on contact area, Tin 120u" Min on solder tail.
- 66 Plating Au 5u" on contact area, Tin 120u" Min on solder tail.
- 67 Plating Au 10u" on contact area, Tin 120u" Min on solder tail.
- 68 Plating Au 15u" on contact area, Tin 120u" Min on solder tail.
- 69 Plating Au 30u" on contact area, Tin 120u" Min on solder tail.

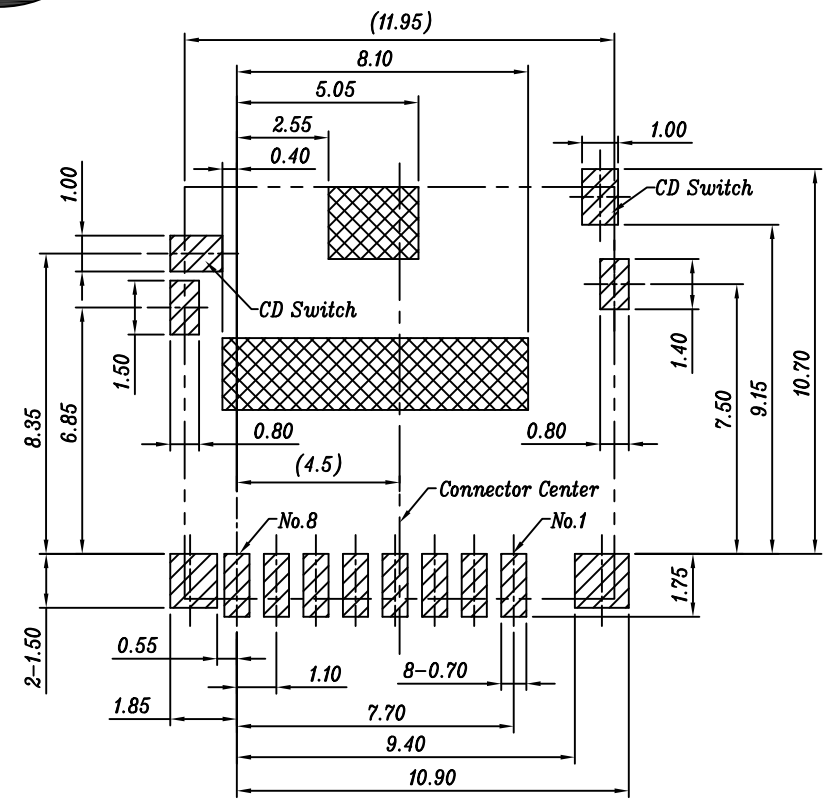
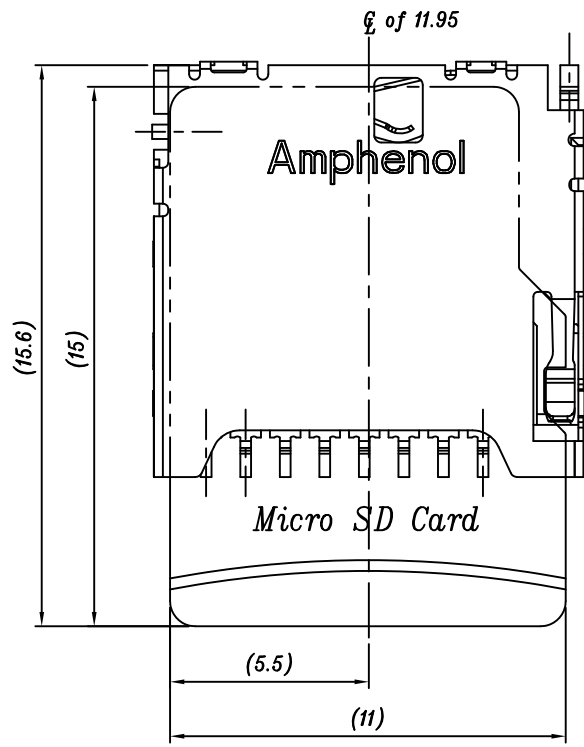
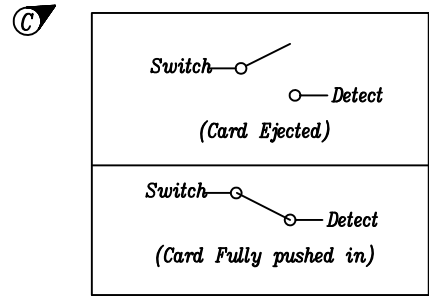
GENERAL	TOLERANCE	FILE.NO.	C11400841	PART.NO.	11400841XX	DRAWN	Rosey	MATERIAL	SCALE	N/A	
X.±0.50	x.*±5°	REV.	C	TITLE	Micro SD None Push Connector Top Mount	CHECKED	Weison.lu	DATE	08/20/2019	UNIT	mm
.X±0.38	.x.*±2°	SIZE		SHEET	1/1	APPROVED	Tom	Amphenol Shouhmin Industry			
.XX±0.25	.xx±1°	A4									



PIN Assignments

PIN NO.	Micro SD
1	Date Line[Bit 2]
2	Card Detect/ Date Line[Bit 3]
3	Command/Response
4	Supply voltage
5	Clock
6	Supply voltage ground
7	Date Line[Bit 0]
8	Date Line[Bit 1]

Card detection switch:



RECOMMENDED P.C.B LAYOUT

P.C.B TOLERANCE: ±0.05

- Connector Area
- PAD Area
- Pattern Prohibited Area

Note:

- Material:**
Housing: LCP Black UL 94V-0
Contact: Copper alloy
Shell: Stainless steel
- Plating:**
Contact Area: Plating Au
Solder tail: Plating Tin
Shell: Plating weldable Ni
- Tail Coplanarity 0.12mm Max.**
- Material should be fulfilled Amphenol SPEC.#SSN002 and SSN004.**

GENERAL TOLERANCE	FILE.NO.	C11400841	PART.NO.	11400841XX	DRAWN	Rosey	MATERIAL		SCALE	N/A
X.±0.50	REV.	C	TITLE	Micro SD None Push Connector Top Mount	CHECKED	Weison.lu	DATE	08/20/2019	UNIT	mm
.X±0.38	SIZE		SHEET	1/1	APPROVED	Tom	Amphenol Shouhmin Industry			
.XX±0.25	A4									

