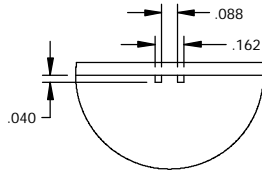


PART NAME

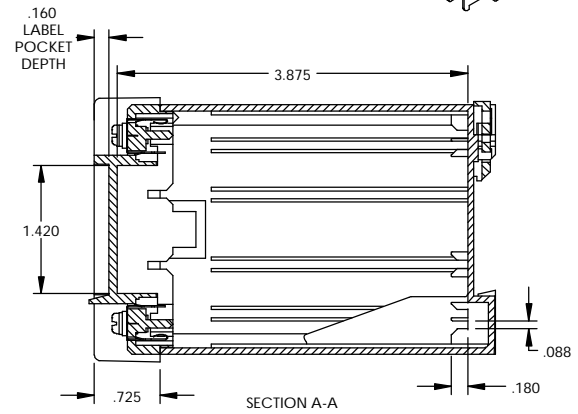
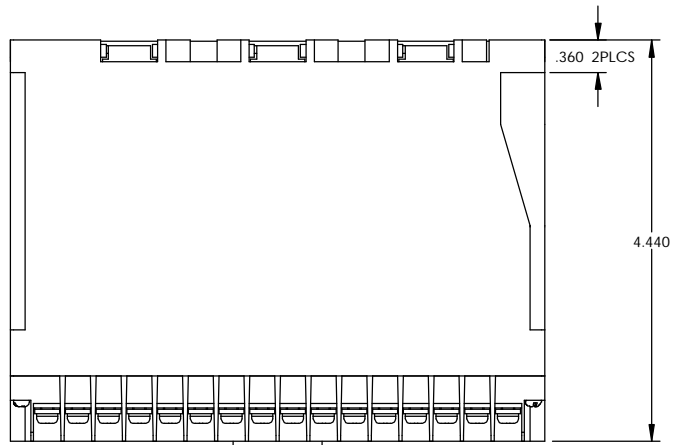
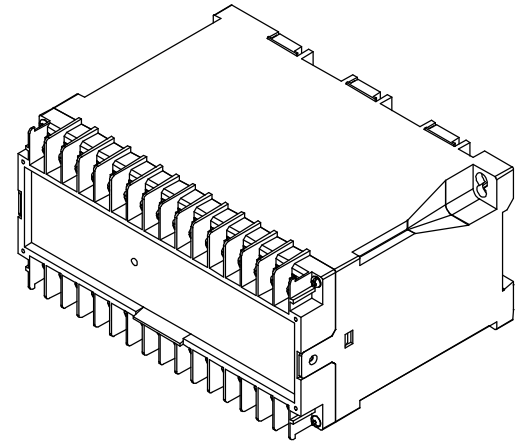
DIN RAIL / PANEL MOUNT BOX

PART No.

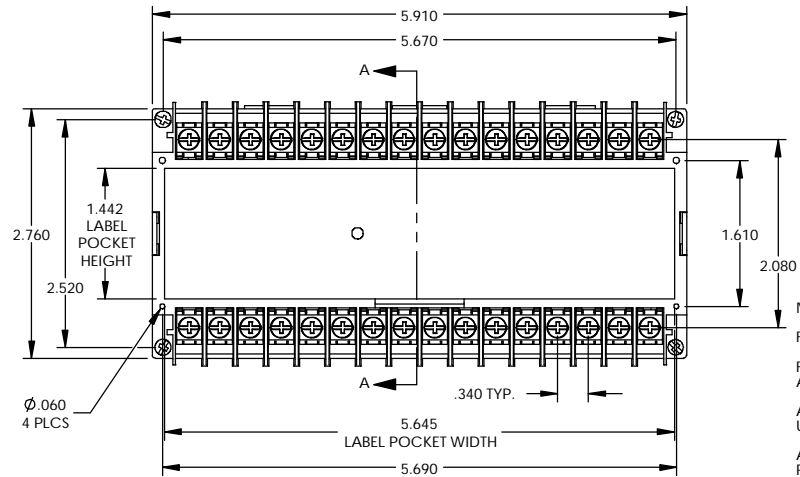
DB-4715



DETAIL B



SECTION A-A



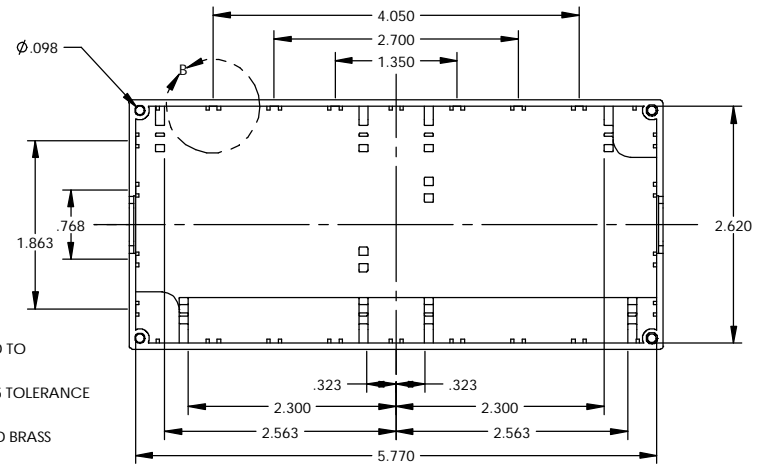
MATERIAL: UL94V-0 RATED ABS

FINISH: LIGHT GRAY

FOUR (4) M3 SCREWS SUPPLIED TO ATTACH FRONT PANEL

ALL DIMENSIONS HAVE A ± 0.15 TOLERANCE UNLESS OTHERWISE SPECIFIED

ALL CONTACTS ARE TIN PLATED BRASS RATED AT 10 AMPS



Mouser Electronics

Authorized Distributor

Click to View Pricing, Inventory, Delivery & Lifecycle Information:

[Bud Industries:](#)

[DB-4715](#)