

THIS IS ISSUED IN STRICT CONFIDENCE THAT IT IS NOT USED AS A BASIS FOR MANUFACTURE OR SALE AND THAT IT IS NOT COPIED, REPRINTED OR DISCLOSED TO A THIRD PARTY EITHER WHOLLY OR IN PART WITHOUT THE PRIOR WRITTEN CONSENT OF CAL TEST ELECTRONICS, INC.

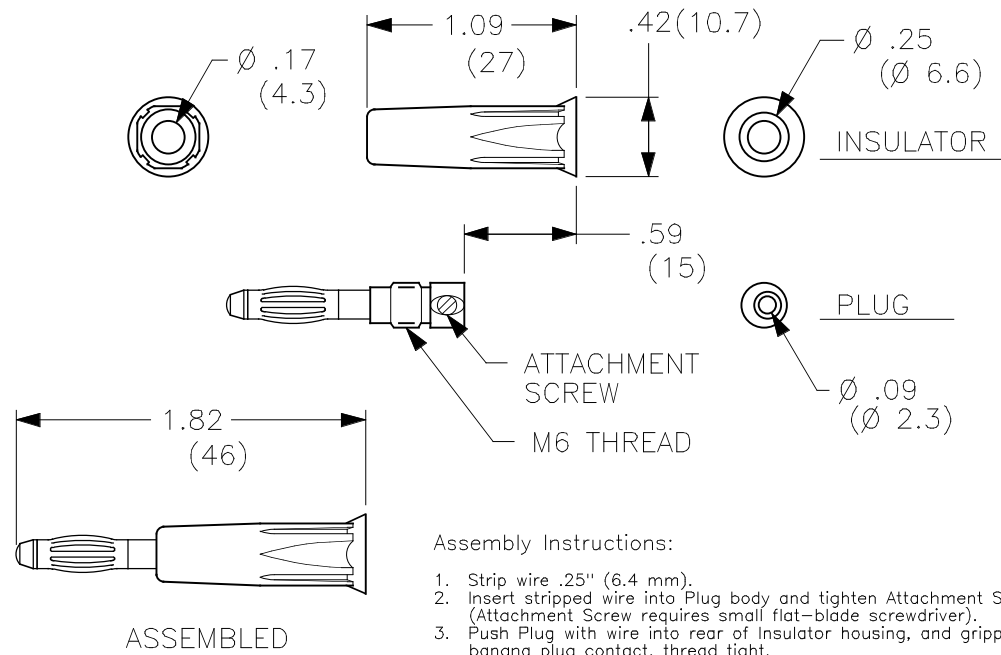
REVISIONS			
REV.	DESCRIPTIONS	DATE	APPROVED
—	CLASS A RELEASED	7/11/99	

- DO-IT-YOURSELF (DIY) 4 mm IN-LINE PLUG, SCREW ATTACHMENT.
- SPECIFICATIONS:
INSULATOR BODY: POLYAMIDE (NYLON)
PLUG BODY: BRASS, NICKEL PLATED
SPRING CONTACT: BeCu, NICKEL PLATED
- RATING:
VOLTAGE: 1,200 V AC/DC
CURRENT: 36 A MAX.
TEMPERATURE: -20° C TO +80°C.
- MAXIMUM WIRE SIZES:
CONDUCTOR: \varnothing .090 (12 AWG)
STRIP LENGTH: .25 (6.4)

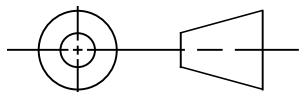
PART NUMBER

CT2011-#

- COLOR:
- 0 - BLACK
 - 2 - RED
 - 4 - YELLOW
 - 5 - GREEN
 - 6 - BLUE
 - 9 - WHITE



THIRD ANGLE PROJECTION



UNLESS OTHERWISE SPECIFIED
DIMENSIONS ARE IN INCHES
TOLERANCES ARE:
FRACTIONS DECIMALS
 $\pm 1/32$.XX $\pm .02$
 .XXX $\pm .005$
DO NOT SCALE DRAWING

CONTRACT NO.

Cal Test Electronics

22820 Savi Ranch Parkway
Yorba Linda, CA 92887-4610

APPROVALS

DATE

DRAWN WDH

7/11/99

TITLE

DIY 4 mm PLUG, SCREW

MATERIAL

CHECKED

FINISH

ENGR.

DESIGN ACTIVITY

SIZE
A

CAGE CODE
43F45

DWG. NO.
P201100

REV.
—

NEXT ASSY

USED ON

SCALE 1:1

SHEET 1 OF 1

APPLICATION

Mouser Electronics

Authorized Distributor

Click to View Pricing, Inventory, Delivery & Lifecycle Information:

[Cal Test Electronics:](#)

[CT2011-6](#) [CT2011-5](#) [CT2011-0](#) [CT2011-9](#) [CT2011-2](#) [CT2011-4](#)