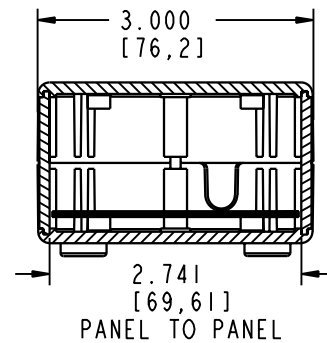
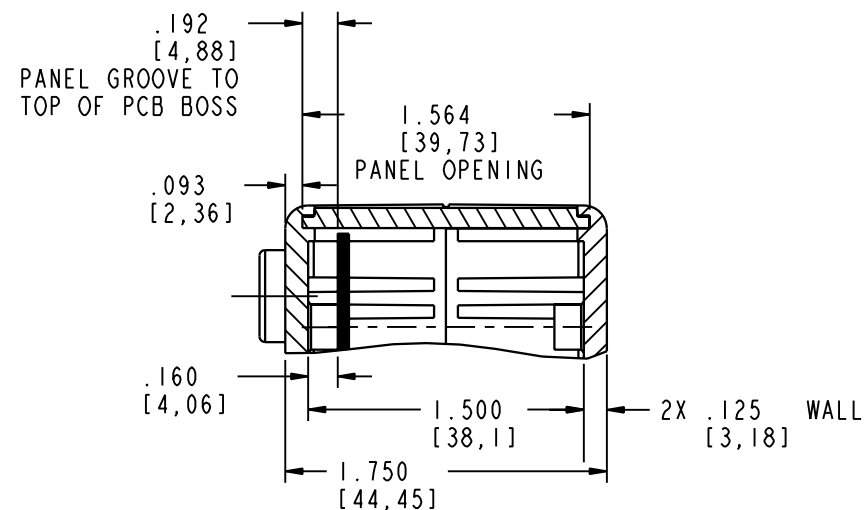
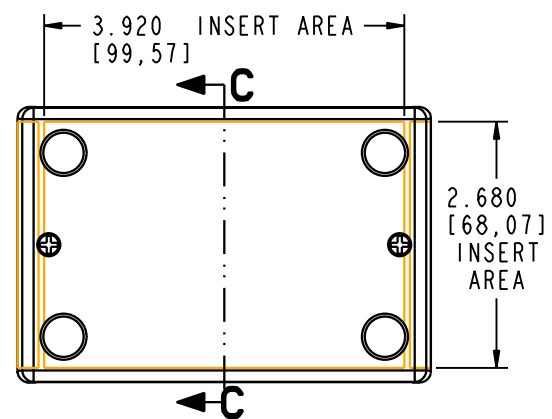
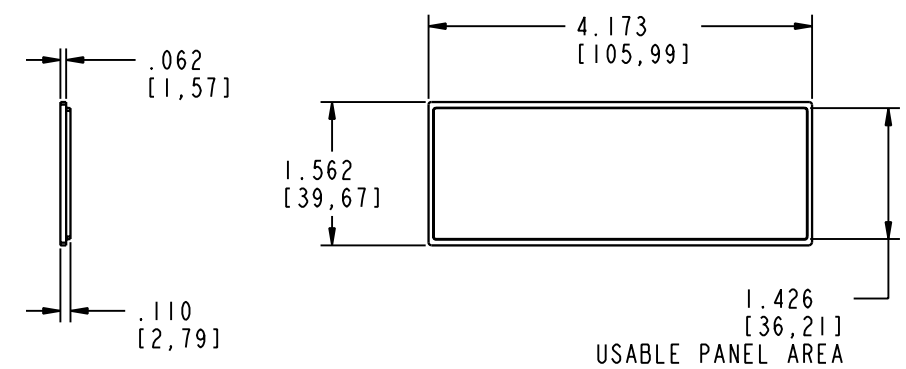


SECTION A-A



SECTION B-B



SECTION C-C
 SCALE 2.000

PACNTEC[®]
 1-610-361-4231

LH43-200

VISIT **PACNTEC**[®]
 ON THE WORLD WIDE WEB
www.pactecenclosures.com

| COLOR / MATERIAL CODE | | |
|-----------------------|------|------|
| COLOR | 94HB | 94VO |
| BLACK | 000 | 028 |
| P.C.BONE | 039 | 060 |

| DRAWING NUMBER | REV |
|----------------|-----|
| 77258 | D |

Mouser Electronics

Authorized Distributor

Click to View Pricing, Inventory, Delivery & Lifecycle Information:

[PacTec:](#)

[71884-18-028 LH43-200 Black](#) [75815-510-000 LH43-200 Black Kit](#) [71884-22-028 LH129-250 Black](#)