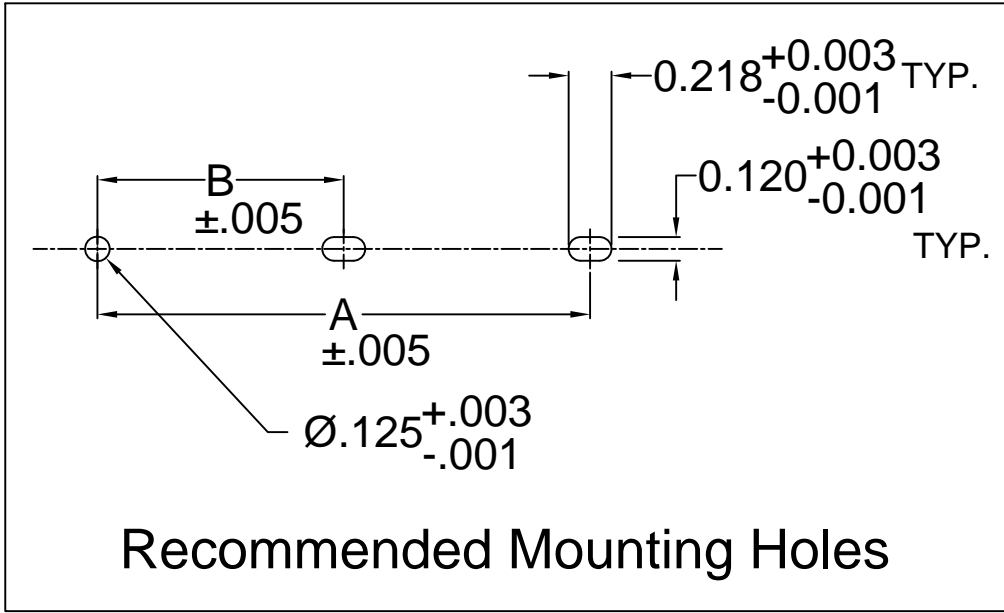
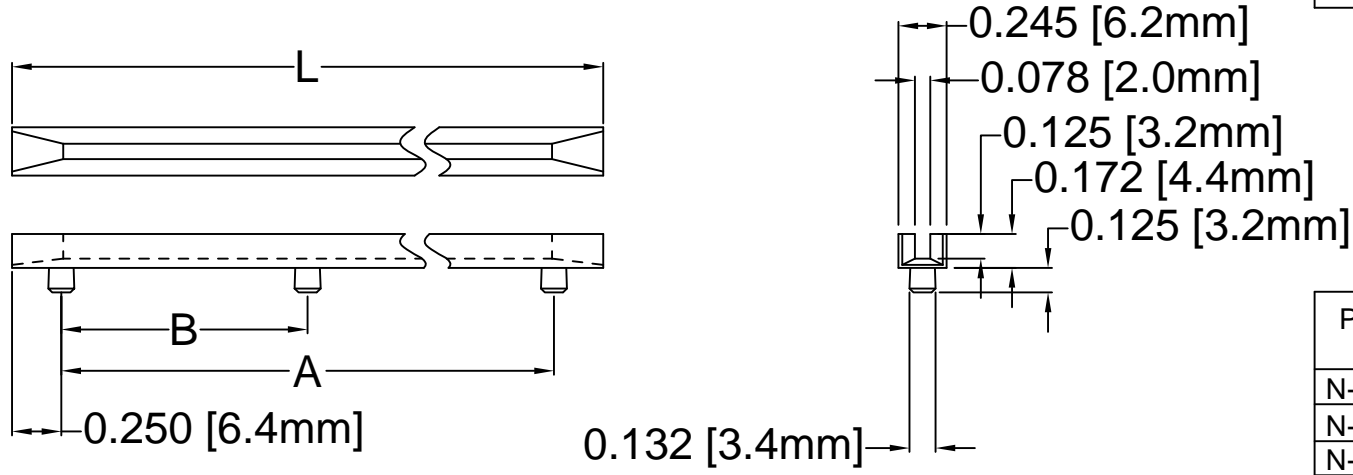


REV.	DESCRIPTION	DATE	APPROVED
B	Engineering Update w/o Changes	02/27/04	M. C.
C	Added Mounting Peg Dimension	07/26/13	T. Y.
D	Added 6 New Lengths to Offering List	03/08/16	J. C.



PART NO.	L ±.030 (.76)	A ±.024 (.61)	B ±.016 (.41)
N-200-2	2.0 (50.8)	1.5 (38.1)	--
N-250-2	2.5 (63.5)	2.0 (50.8)	--
N-300-2	3.0 (76.2)	2.5 (63.5)	--
N-350-2	3.5 (88.9)	3.0 (76.2)	--
N-400-2	4.0 (101.6)	3.5 (88.9)	--
N-450-2	4.5 (114.3)	4.0 (101.6)	--
N-500-2	5.0 (127.0)	4.5 (114.3)	--
N-550-2	5.5 (139.7)	5.0 (127.0)	--
N-600-2	6.0 (152.4)	5.5 (139.7)	--
N-650-2	6.5 (165.1)	6.0 (152.4)	--
N-700-2	7.0 (177.8)	6.5 (165.1)	--
N-700-3	7.0 (177.8)	6.5 (165.1)	3.25 (82.5)
N-750-2	7.5 (190.5)	7.0 (177.8)	--
N-750-3	7.5 (190.5)	7.0 (177.8)	3.50 (88.9)
N-800-2	8.0 (203.2)	7.5 (190.5)	--
N-800-3	8.0 (203.2)	7.5 (190.5)	3.75 (95.2)
N-850-2	8.5 (215.9)	8.0 (203.2)	--
N-850-3	8.5 (215.9)	8.0 (203.2)	4.00 (101.6)
N-900-3	9.0 (228.6)	8.5 (215.9)	4.25 (108.0)
N-950-3	9.5 (241.3)	9.0 (228.6)	4.50 (114.3)
N-1000-3	10.0 (254.0)	9.5 (241.3)	4.75 (120.7)
N-1050-3	10.5 (266.7)	10.0 (254.0)	5.00 (127.0)
N-1100-3	11.0 (279.4)	10.5 (266.7)	5.25 (133.4)

STANDARD TOLERANCE (UNLESS OTHERWISE SPECIFIED)	
DECIMALS	ANGULAR
.X ±.1	X° ± 1°
.XX ±.01	
.XXX ±.005	

BIVAR[®]
 4 THOMAS, IRVINE, CA. 92618
 TEL: (949) 951-8808 FAX: (949) 951-3974

TITLE:
NARROW PRESS-IN CARD GUIDE

DESIGNED: **David Green** DATE: **11/13/02**

CHECKED: **M. Chen** DATE: **11/13/02**

PART NO: N-XXX-X **REVISION:** D

CAGE CODE : 32559 **SHEET #** 1 **OF** 1

CAD GENERATED DOCUMENT. DO NOT MEASURE DRAWING.

2. MATERIAL: NYLON 6/6, 94V-2, NATURAL.
1. GENERAL SPECIFICATIONS: BIVAR MOLDED COMPONENT SPECIFICATION BV00-E101.

Mouser Electronics

Authorized Distributor

Click to View Pricing, Inventory, Delivery & Lifecycle Information:

[BIVAR:](#)

[N-600-2 GY](#) [N-600-2 RD](#) [N-600-2 YW](#) [N-600-2-CI](#) [N-750-2](#)