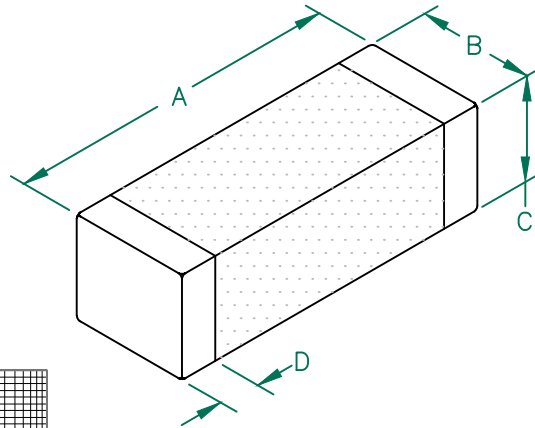


# HZ1806K102R-10

## PHYSICAL DIMENSIONS:

A	4.50 [.177]	+ 0.20 [.008]
B	1.60 [.063]	+ 0.20 [.008]
C	1.60 [.063]	- 0.20 [.008]
D	0.51 [.020]	+ 0.30 [.012]

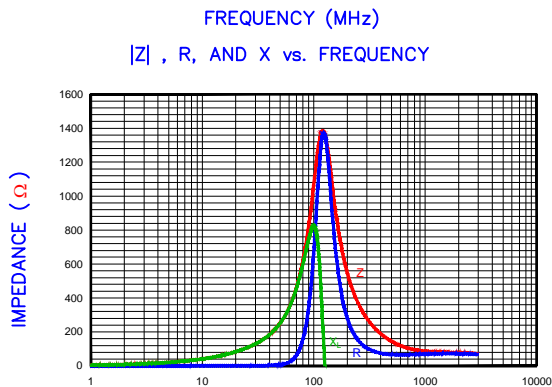
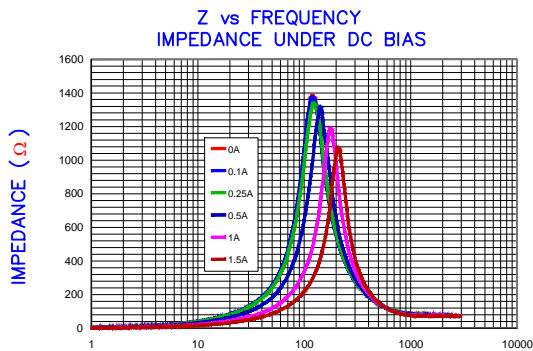


## ELECTRICAL CHARACTERISTICS:

Z @ 100MHz (Ω)	DCR (Ω)	Rated Current
Nominal	1000	
Minimum	750	
Maximum	1250	0.15
		1,500 mA

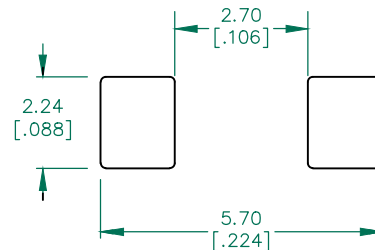
NOTES: UNLESS OTHERWISE SPECIFIED

1. TAPED AND REELED per CURRENT EIA SPECIFICATIONS 7" REELS, 2,000 PCS/REEL, EMBOSSED PLASTIC TAPE.
2. TERMINATION FINISH IS 100% TIN.
3. COMPONENTS SHOULD BE ADEQUATELY PREHEATED BEFORE SOLDERING.
4. OPERATING TEMP. RANGE: -40°C~+125°C (INCLUDING SELF-HEATING)



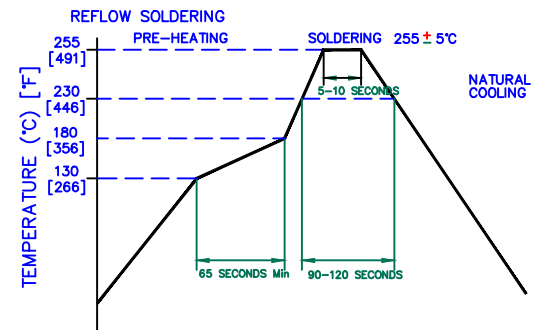
— Z — R — X<sub>L</sub>

## LAND PATTERNS FOR REFLOW SOLDERING



(For wave soldering, add 0.762 [.030] to this dimension.)

## RECOMMENDED SOLDERING CONDITIONS



AGILENT E4991A RF Impedance/Material Analyzer  
HP 16194A Test Fixture. TEST REF. 6132

DIMENSIONS ARE IN mm [INCHES].				This print is the property of Laird Tech. and is loaned in confidence subject to return upon request and with the understanding that no copies shall be made without the written consent of Laird Tech. All rights to design or invention are reserved.		<b>Laird</b>	
E	CORRECT Z@25MHz	01/26/16	QU	PROJECT/PART NUMBER:	REV	PART TYPE:	DRAWN BY:
D	ADD OPERATING TEMPERATURE UPDATE LAIRD LOGO AND REFLOW CURVE	08/05/13	QU	HZ1806K102R-10	E	CO-FIRE	JRK
C	UPDATE COMPANY LOGO	03/25/08	JRK	DATE:	SCALE:	NTS	SHEET:
B	CORRECT MIN Z SPEC FROM 700	12/21/06	JRK	12/15/06			
A	ORIGINAL DRAFT	12/15/06	JRK	CAD #	TOOL #	-	1 of 1
REV	DESCRIPTION	DATE	INT	HZ1806K102R-10-E			

# Mouser Electronics

Authorized Distributor

Click to View Pricing, Inventory, Delivery & Lifecycle Information:

[Laird Performance Materials:](#)

[HZ1806K102R-10](#)