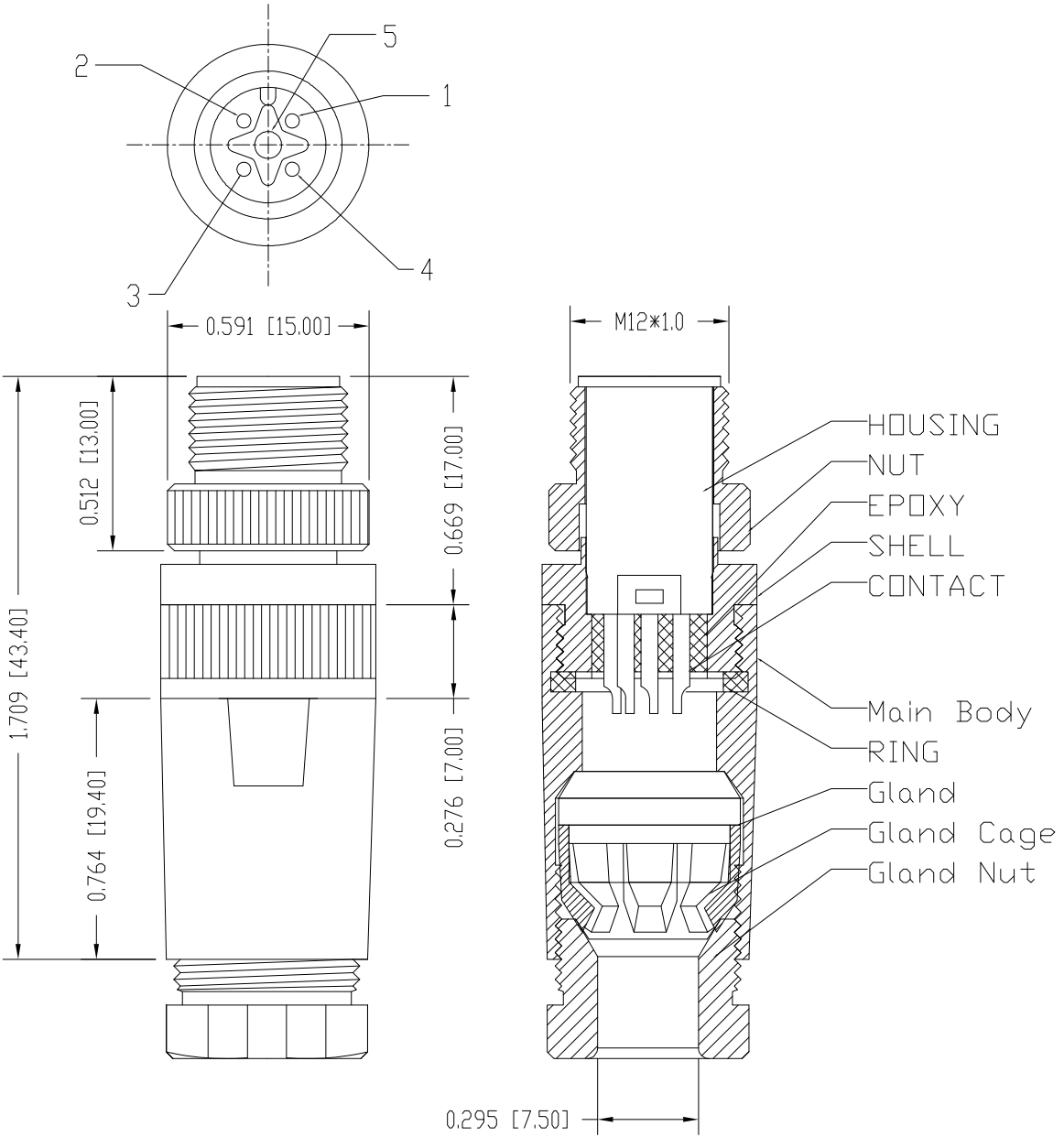


DESCRIPTION: M12 MALE - CABLE MOUNT - 5 POS.

NOTE:

MATERIAL  
 HOUSING: PBT UL94V-0, BLACK  
 CONTACT: BRASS  
 NUT: ALUMINUM ALLOY  
 SHELL: ALUMINUM ALLOY  
 MAIN BODY: ALUMINUM ALLOY  
 GLAND: SILICONE, BLACK  
 GLAND CAGE: POM, BLACK  
 GLAND NUT: BRASS

FINISH  
 CONTACT: GOLD PLATED  
 NUT: OVER 50µ" NICKEL  
 SHELL: NICKEL PLATED  
 MAIN BODY: NICKEL PLATED  
 GLAND NUT: NICKEL PLATED  
 ELECTRICAL  
 RATED CURRENT: 4A  
 RATED VOLTAGE: 60V  
 INSULATION RESISTANCE: 100 MΩhms MIN.  
 CONTACT RESISTANCE: 10 mΩhms MAX.  
 WATER PROOF: IP67  
 ENVIRONMENT  
 OPERATION TEMPERATURE: -40°C TO +85°C  
 MAX WIRE AWG: 22



858-005-103RKTY

1 = GOLD FLASH  
 4 = 10µ" GOLD

RoHS COMPLIANT

UNITS = INCHES [MM]

DO NOT SCALE FROM DRAWING

	THESE DRAWINGS AND SPECIFICATIONS ARE THE PROPERTY OF NorComp AND SHALL NOT BE REPRODUCED, COPIED OR USED AS THE BASIS FOR THE MANUFACTURE OR SALE OF APPARATUS WITHOUT WRITTEN PERMISSION.	DRAWN: M. SIGMON	DATE: 03-07-16	NorComp	SCALE: NTS	SHEET 1 OF 1	REV 3
					DWG NO. 858-005-103RKTY		

# Mouser Electronics

Authorized Distributor

Click to View Pricing, Inventory, Delivery & Lifecycle Information:

[NorComp:](#)

[858-005-103RKT1](#) [858-005-103RKT4](#)