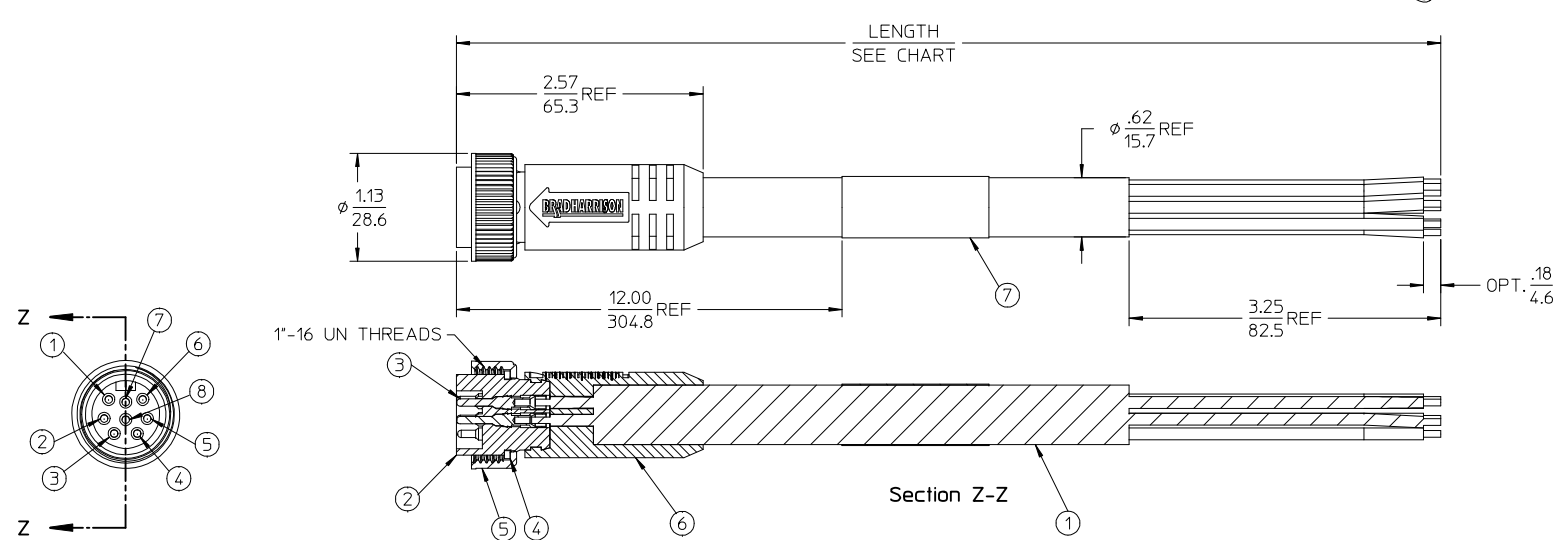
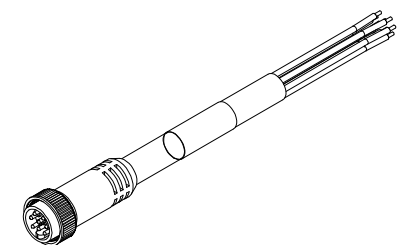


PART NUMBER	ENGINEERING NO.	LENGTH
1300070197	208002A01F030	3' 0" +1.75 - 0 [ .9M +44.5 - 0 ]
1300070199	208002A01F060	6' 0" +2.19 - 0 [ 1.8M +55.6 - 0 ]
1300070202	208002A01F120	12' 0" +3.50 - 0 [ 3.7M +88.9 - 0 ]
1300070204	208002A01F120	20' 0" +6.50 - 0 [ 6.1M +165.1 - 0 ]



- NOTES:
1. MATERIAL: SEE TABLE
  2. FINISHES: SEE TABLE
  3. CABLE ASSEMBLIES ARE BAGGED SEPERATELY IN POLY BAGS WITH BARCODE LABEL ATTACHED TO OUTSIDE OF BAG
  4. WRAP LABEL IS MARKED WITH P/N, DATE CODE VOLTAGE & AMPERAGE
  5. MATES WITH: MINI CHANGE, B-SIZE 8 POLE RECEPTACLE
  6. ELECTRICAL SPECIFICATIONS:  
VOLTAGE RATING: 600V  
CURRENT RATING: 7 AMPS
  7. ASSEMBLY IS RoHS COMPLIANT

S1	
1	ORANGE
2	BLUE
3	WHITE/BLACK
4	BLACK
5	WHITE
6	RED
7	GREEN/YELLOW
8	RED/BLACK

WIRING DIAGRAM

ITEM	QTY.	DESCRIPTION	MATERIAL	FINISH
7	1	LABEL	PLASTIC FILM	BLACK/YELLOW
6	1	OVERMOLD	PVC	YELLOW
5	1	COUPLING NUT	ZINC DIE CAST	BLACK
4	1	FRICITION RING	NYLON	NATURAL
3	8	PIN CONTACT 16 AWG	BRASS	GOLD PLATED
2	1	INSERT, FEMALE, 8 POLE	PVC	YELLOW
1	1	CABLE, 16-8 ST00W/ST	PVC JACKET	YELLOW

RELEASED  
EC NO: MNA2009-0795  
DRAWN: BRUPERT 2009/06/02  
CHKD: BRUPERT  
APPR: J. MURPHY 2009/06/10

QUALITY SYMBOLS  
▽=0  
▽=0

GENERAL TOLERANCES (UNLESS SPECIFIED)

	mm	INCH
4 PLACES ±	---	---
3 PLACES ±	---	---
2 PLACES ±	---	±.01
1 PLACE ±	0.3	---

ANGULAR ±1/2°

DRAFT WHERE APPLICABLE MUST REMAIN WITHIN DIMENSIONS

DIMENSION STYLE  
IN/MM

DRAWN BY DATE  
BRUPERT 2009/04/02

CHECKED BY DATE  
B. WOODMAN 2009/04/03

APPROVED BY DATE  
J. MURPHY 2008/04/06

MATERIAL NO.  
SEE CHART

SIZE  
C

SCALE 1:1  
DESIGN UNITS INCH  
THIRD ANGLE PROJECTION

TITLE  
MINI-CHANGE CORD ASSY  
MALE, B-SIZE  
8 POLE

MOLEX INCORPORATED

DOCUMENT NO. SD-130007-004  
SHEET NO. 1 OF 1

THIS DRAWING CONTAINS INFORMATION THAT IS PROPRIETARY TO MOLEX INCORPORATED AND SHOULD NOT BE USED WITHOUT WRITTEN PERMISSION

# Mouser Electronics

Authorized Distributor

Click to View Pricing, Inventory, Delivery & Lifecycle Information:

[Molex:](#)

[1300070204](#)