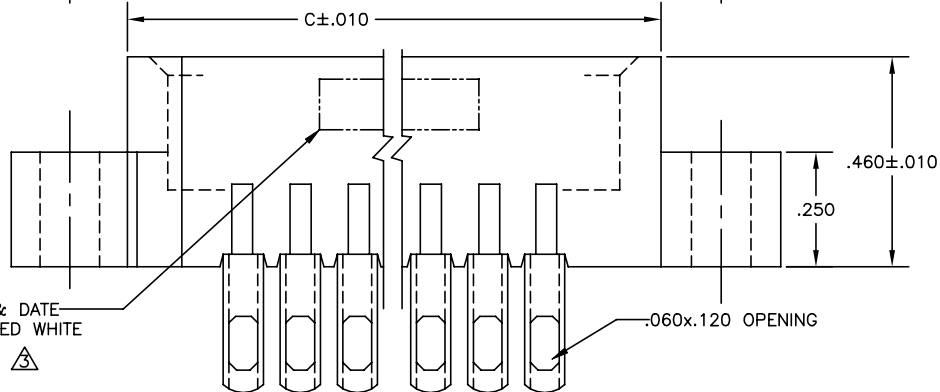
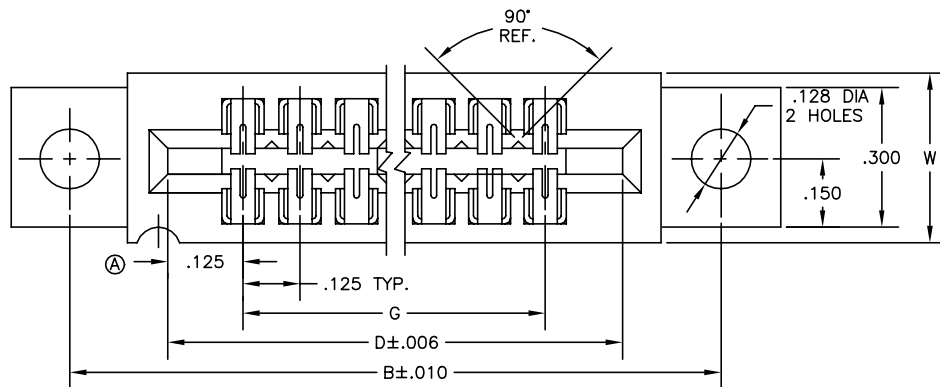
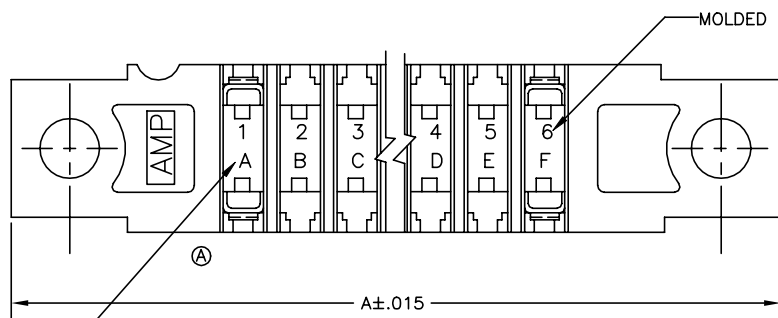


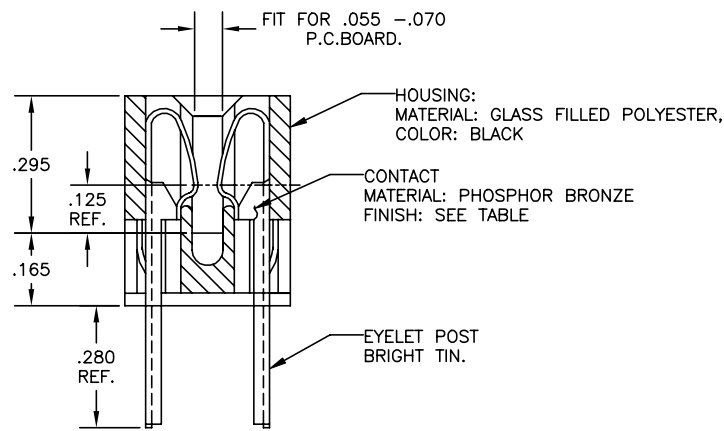
REVISIONS				
P	LTR	DESCRIPTION	DATE	DRN APVD
M2		REVISED PER ECO-20-000170	21MAY2020	KR JO



"AMP" PART NO & DATE CODE, INK STAMPED WHITE OR HOT STAMP (NO WHITE TAPE) IN THIS AREA. (SIDE OPTIONAL)



MOLDED CHARACTERS (UPPER & LOWER CASE LETTERS OMITTING LETTERS G, I, O & Q).



SECT A-A

1. SLEEVING MAY BE REQUIRED ON ALTERNATE CONTACTS,

THIS DRAWING IS A CONTROLLED DOCUMENT.		DRN: RUMBLE 04APR75	TE Connectivity Ltd.	
		CHK: RUMBLE 04APR75		
DIMENSIONS: INCHES		APVD: R SHOUIMER 04APR75	NAME: HOUSING ASSY LOW PROFILE EDGE CONNECTOR, WITHSOLDER EYELET .125 CENTERS.	
TOLERANCES UNLESS OTHERWISE SPECIFIED: 0 PLC ± - 1 PLC ± - 2 PLC ± - 3 PLC ± - 4 PLC ± - ANGLES ± - FINISH -		PRODUCT SPEC: -	APPLICATION SPEC: -	RESTRICTED TO: -
MATERIAL: -		WEIGHT: -	SIZE: A2	CAGE CODE: 00779
		CUSTOMER DRAWING	DRAWING NO: C=530664	SCALE: 5:1
			SHEET: 1 of 2	REV: M2

REVISIONS				
P	LTR	DESCRIPTION	DATE	DWN APVD
-		SEE SHEET 1	-	-

NOTES:

- ① .000015 MIN GOLD OVER.00005 MIN. NICKEL IN CONTACT AREA.
- ② .000030 MIN GOLD OVER.00005 MIN. NICKEL IN CONTACT AREA.
- ③ ALL PARTS ASSEMBLED IN MEXICO MUST BE STAMPED "ASSY IN MEXICO" THE WORD "MEXICO" CAN BE SUBSTITUTED ONLY WHERE PART SIZE PROHIBITS STAMPING "ASSY IN MEXICO" INK ISSTAMP COLOR WHITE OR HOT STAMP (NO WHITE TAPE) 115-9009, APPROX, WHERE SHOWN, SIDE OPTIONAL,
- ④ MATTE TIN PLATED CONTACT TAILS.
- ⑤ OBSOLETE PARTS: OBSOLETE CIS STREAMLINING PER D.RENAUD/D.SINISI

④ ⑤	OBSOLETE	8-530664-2	6.125	.437	6.375	6.535	6.795	7.055	50	-
④ ⑤	OBSOLETE	8-530664-0	4.875	.437	5.125	5.285	5.545	5.805	40	-
④ ⑤	OBSOLETE	7-530664-6	3.375	.437	3.625	3.785	4.045	4.305	28	-
④ ⑤	OBSOLETE	7-530664-5	2.625	.437	2.875	3.035	3.295	3.555	22	-
④		7-530664-3	1.750	.437	2.000	2.160	2.420	2.680	15	-
	OBSOLETE	3-530664-2	6.125	.437	6.375	6.535	6.795	7.055	50	1-530664-2
	OBSOLETE	3-530664-1	5.250	.437	5.500	5.660	5.920	6.180	43	1-530664-1
	OBSOLETE	3-530664-0	4.875	.437	5.125	5.285	5.545	5.805	40	1-530664-0
	OBSOLETE	2-530664-9	4.375	.370	4.625	4.785	5.045	5.305	36	530664-9
	OBSOLETE	2-530664-8	3.750		4.000	4.160	4.420	4.680	31	530664-8
	OBSOLETE	2-530664-7	3.625		3.875	4.035	4.295	4.555	30	530664-7
	OBSOLETE	⑤ 2-530664-6	3.375		3.625	3.785	4.045	4.305	28	530664-6
	OBSOLETE	2-530664-5	2.625		2.875	3.035	3.295	3.555	22	530664-5
	OBSOLETE	2-530664-4	2.125		2.375	2.535	2.795	3.055	18	530664-4
	OBSOLETE	2-530664-3	1.750		2.000	2.160	2.420	2.680	15	530664-3
	OBSOLETE	2-530664-2	1.125		1.375	1.535	1.795	2.055	10	530664-2
	OBSOLETE	2-530664-1	6.25	.370	8.75	1.035	1.295	1.555	6	530664-1

PART NO.	②	G	W	D	C	B	A	NO.POS	PART NO.	①
THIS DRAWING IS A CONTROLLED DOCUMENT.		DWN	RUMBLE	04APR75	TE Connectivity Ltd.					
DIMENSIONS:		CHK	RUMBLE	04APR75	HOUSING ASSY LOW PROFILE					
INCHES		APVD	RUMBLE	-	EDGE CONNECTOR, WITHSOLDER					
TOLERANCES UNLESS OTHERWISE SPECIFIED:		PRODUCT SPEC		EYELET .125 CENTERS.						
0 PLC ± -		APPLICATION SPEC		SIZE		PAGE CODE		DRAWING NO		RESTRICTED TO
1 PLC ± -		WEIGHT		A2		00779		C=530664		-
2 PLC ± -		CUSTOMER DRAWING		SCALE		SHEET		REV		M2
3 PLC ± -				1:1		2 of 2				
4 PLC ± -										
ANGLES										
FINISH										

Mouser Electronics

Authorized Distributor

Click to View Pricing, Inventory, Delivery & Lifecycle Information:

[TE Connectivity:](#)

[7-530664-3](#)