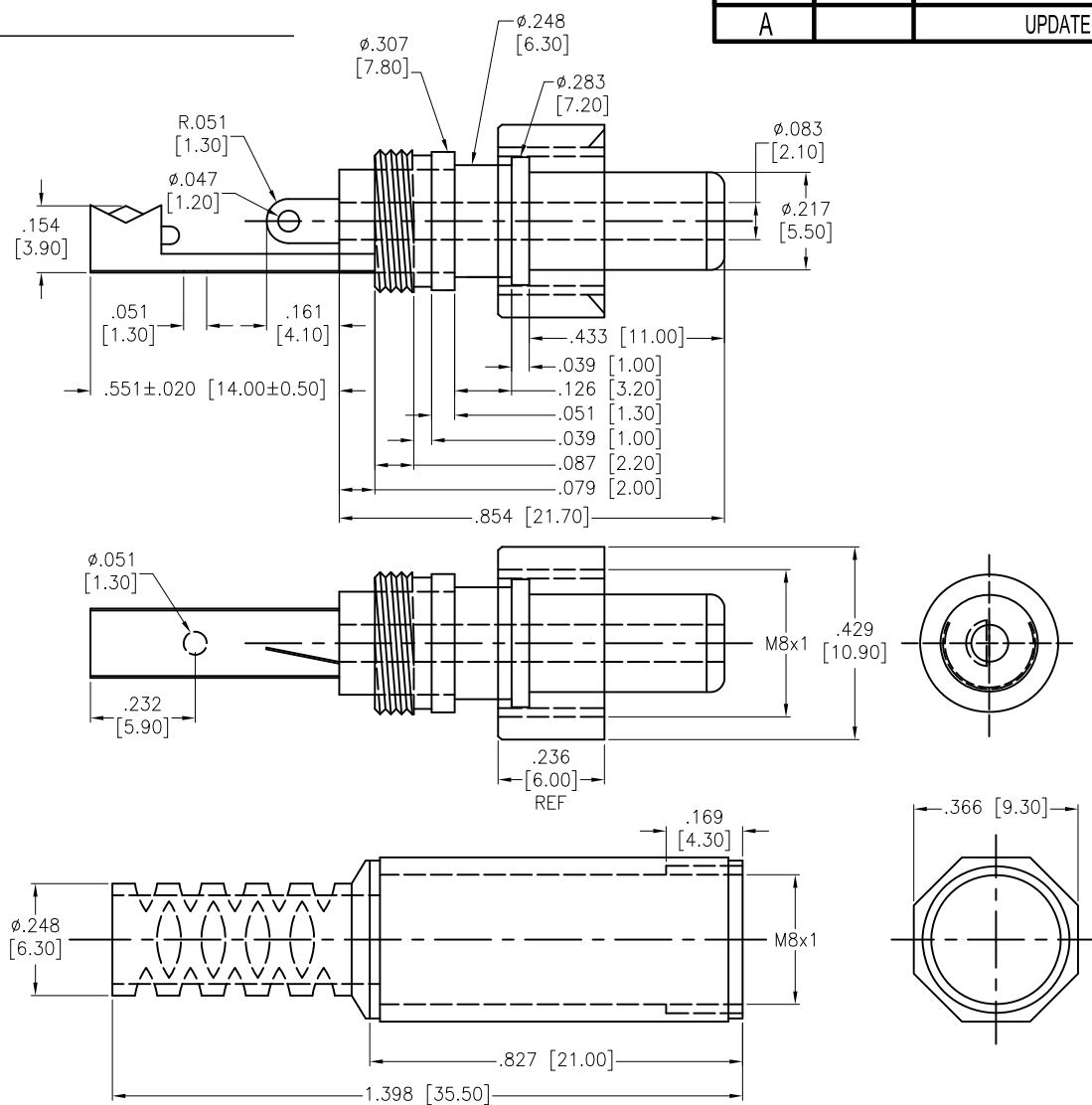


APPROVED: _____
 DATE: _____ TITLE: _____

| Rev | AWO # | Description | Date | Appr |
|-----|-------|----------------|---------|-------|
| - | | RELEASED | 4/14/17 | |
| A | | UPDATE DRAWING | 7/16/20 | LH/RC |



SPECIFICATIONS:

Material:
 Hosing: PE
 Axis support: Brass
 Electrical:
 Rating: 30VDC, 0.5A
 Contact Resistance: 30 mohms max
 Insulation Resistance: 100 Mohms min @ 250 VDC
 Dielectric Withstanding Voltage: 500 VAC
 Environmental:
 Lead free, RoHS compliant.



UNLESS OTHERWISE SPECIFIED
 ALL DIMENSIONS ARE INCHES [MM]
 TOLERANCES: EXCEPT AS NOTED
 INCHES HOLES

| | | | |
|------|--------|------|--------|
| .X | ± .10 | ∅X | ± .10 |
| .XX | ± .020 | ∅XX | ± .015 |
| .XXX | ± .015 | ∅XXX | ± .010 |

ADAM TECH
 INTERCONNECTS

909 Rahway Avenue,
 Union, NJ 07083
 Phone: 908-687-5000
 Fax: 908-687-5710

| APPROVALS | | DATE |
|-----------|----|---------|
| DRAWN | HR | 4/14/17 |
| CHECKED | NC | 4/14/17 |
| APPROVED | | |

| | | |
|---|---------------------------|--------------|
| TITLE | | |
| 5.5X2.1MM DC PLUG, ASSEMBLY, W/ STRAIN RELIEF | | |
| SIZE | PART NO. | REV. |
| X | ADP-.083/.217/.433-HDW-SR | A |
| REF: S00288T | SCALE: NTS | SHEET 1 OF 1 |