



Medical



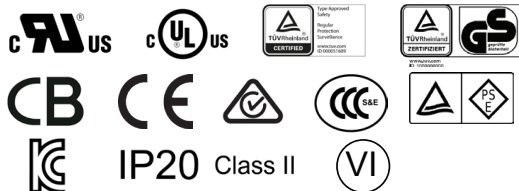
Industrial



* Blades sold separately

FEATURES AND BENEFITS

| | |
|--|---------------------------------|
| Medical & ITE Safety Approvals | CoC V5 Tier 2(2016) |
| 2 x MOPP Input to Output Isolation | ≤0.075W Standby Power |
| Suitable for Medical Equipment Up to Class BF ⁽⁶⁾ | 5V to 24V Outputs, Up to 12W |
| Low Leakage Current ≤10μA | Up to 5,000m Operating Altitude |
| DOE Efficiency Level VI | Interchangeable AC Plugs |



MODEL SELECTION

| Model Number | Volts ⁽²⁾ | Current | Rated Power | Ripple & Noise ^{(max)(1)} | Voltage Tolerance | Line & Load Regulation | Efficiency (Average) | Start Up Delay |
|---------------|----------------------|---------|-------------|------------------------------------|-------------------|------------------------|----------------------|----------------|
| SLE12S0503B01 | 5.0V | 2.0A | 10.0W | 150mV pk-pk | ±7% | Line: ±1% Load: ±5% | 79.01% | ≤3s |
| SLE12S1203B01 | 12.0V | 1.0A | 12.0W | 150mV pk-pk | ±5% | | 83.30% | ≤3s |
| SLE12S1803B01 | 18.0V | 0.6A | 12.0W | 150mV pk-pk | ±5% | | 83.30% | ≤3s |
| SLE12S2403B01 | 24.0V | 0.5A | 12.0W | 150mV pk-pk | ±5% | | 83.30% | ≤3s |

Notes:

1. Measured at output connector with 20MHz bandwidth and 0.1μF ceramic in parallel with 10μF electrolytic capacitors.
2. Other output voltages in the range of 4.0 through 24V are available, contact us for details.
3. "B" in the model number (SLE12S0503B01) indicates interchangeable blade model.
4. "03" in the model number indicates 2.5 x 5.5 x 9.5mm straight barrel type connector. Other output connector options are available, please contact our sales representative for details.
5. Power supply is not fitted with the AC blade, this is to be ordered separately. See outline drawing below for details
6. Power supplies are not medical equipment (applied parts), medical product manufacturers shall take responsibility for further evaluation of class B/BF/CF compliance of their end product.

INPUT

| | |
|--|------------------------------|
| Input Voltage and Frequency | 90VAC-264VAC 47Hz-63Hz |
| Input Current | 0.5A at 90VAC |
| Inrush Current | 50A max at 240VAC cold start |
| Touch Leakage Current ^(max) | ≤10μA at 264VAC |

SAFETY

| | |
|-----|---|
| CB | Medical: IEC60601-1, ANSI/AAMI ES60601-1 ITE: IEC60950-1, UL60950-1, UL62368 |
| UL | Medical: CAN/CSA C22.2 NO. 60601-1 ITE: CAN/CSA C22.2 NO. 60950-1 |
| TUV | Medical: EN60601-1 ITE: EN60950-1 |
| RCM | ITE: AS/NZS 60950.1 |



EMI/EMC COMPLIANCE

| | |
|--|---|
| Conducted Emissions | Medical: IEC/EN 60601-1-2, CISPR 11 ITE: EN55022, CISPR 22 |
| Radiated Emissions | Medical: IEC/EN 60601-1-2, CISPR 11 ITE: EN55022, CISPR 22 |
| Immunity | Medical: IEC/EN 60601-1-2 ITE: EN55024, CISPR 24 |
| Electro-Static Discharge (ESD) Immunity on Power Ports | EN61000-4-2, ±15kV air, ±8kV contact |
| Radiated RF EM Fields Susceptibility ³ | EN61000-4-3, 10V/m, 3V/m (80MHz–2.7GMHz) |
| Electrical Fast Transients (EFT)/Bursts | EN61000-4-4, ±2kV on AC port, ±1kV on signal ports |
| Surges, Line to Line (DM) and Line to Ground (CM) | EN61000-4-5, ±2kV line to line (diff mode) compatible ±4kV line to line (diff mode) |
| Conducted RF Immunity | EN61000-4-6, 3Vrms, 6Vrms (0.15MHz–80MHz) |
| Power Frequency Magnetic Field Immunity | EN61000-4-8, 30A/m |
| Voltage Dip Immunity | EN61000-4-11, 0%, 70%, 0% of UT |
| Harmonic Current Emissions | EN61000-3-2, Class A |
| Flicker Test | EN61000-3-3 |

ENVIRONMENT

| | |
|------------------------------|----------------------------------|
| Operating Temperature | -5°C to 45°C |
| Storage Temperature | -25°C to 75°C |
| Weight | 120 grams |
| Dimensions | 76.0mm x 30.3mm x 48.2mm |
| Operating Humidity | 10% RH to 90% RH, non-condensing |
| Storage Humidity | 5% RH to 90% RH |
| Operating Altitude | 5,000m |
| Dielectric Withstand Voltage | 5,656VDC input to output |
| Insulation Resistance | 10M Ohms, 500VDC input to output |

PROTECTION

| | |
|--------------------------|---|
| Overload Protection | 120%–200% rated output power, Auto-recovery |
| Overvoltage Protection | 120%–150% rated output voltage input to reset |
| Short circuit Protection | Trip and restart - Hiccup Mode |

RELIABILITY

| | |
|------|-------------------------------------|
| MTBF | >100,000 hours MIL-HDBK-217 at 25°C |
|------|-------------------------------------|

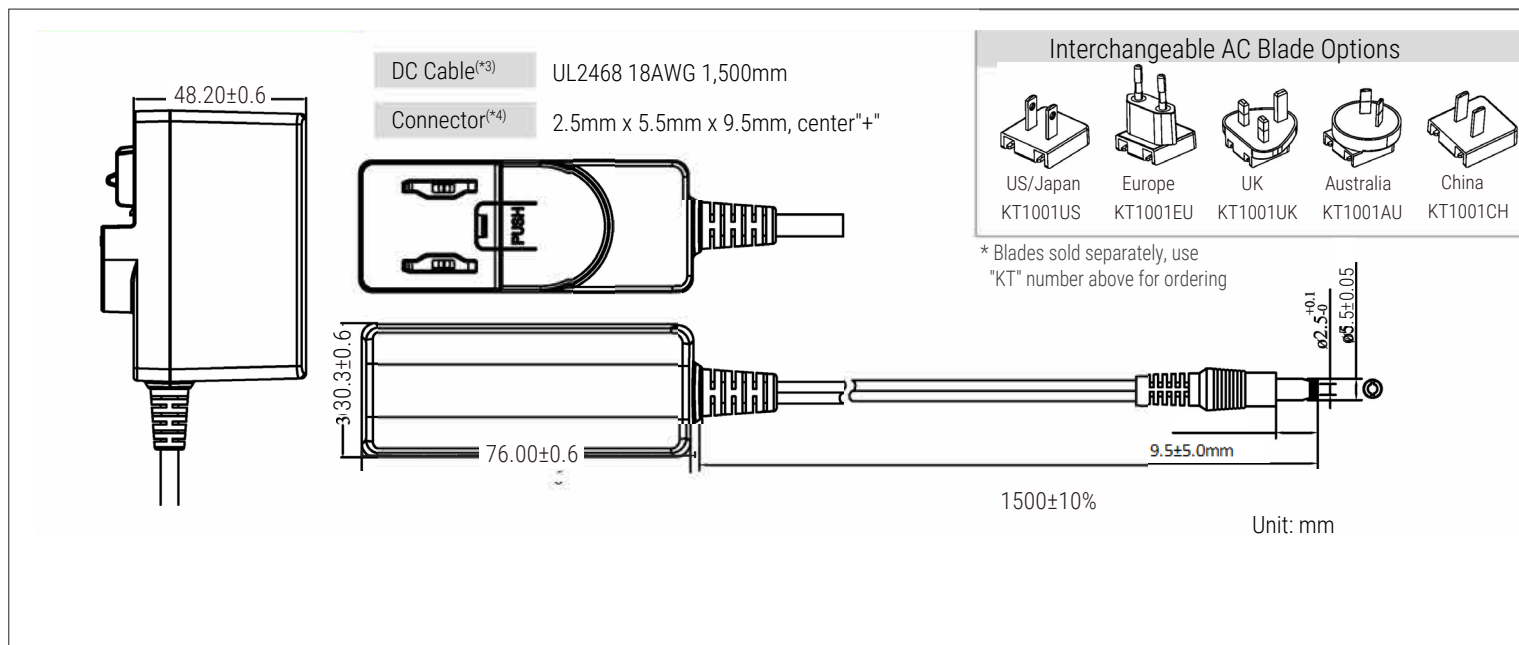
ISOLATION

| | |
|-------------------------|-------------------------------------|
| Isolation Safety Rating | 4,000VAC Input to Output (2 x MOPP) |
|-------------------------|-------------------------------------|

PACKAGING

| | |
|---------------------|--|
| Weight, Packing Qty | 120g, Individual box: 50/carton; egg-crate: 100/carton |
|---------------------|--|

MECHANICAL DRAWING



Mouser Electronics

Authorized Distributor

Click to View Pricing, Inventory, Delivery & Lifecycle Information:

[SL Power:](#)

[SLE12S1803B01](#) [SLE12S2403B01](#) [SLE12S1203B01](#) [SLE12S0503B01](#)