

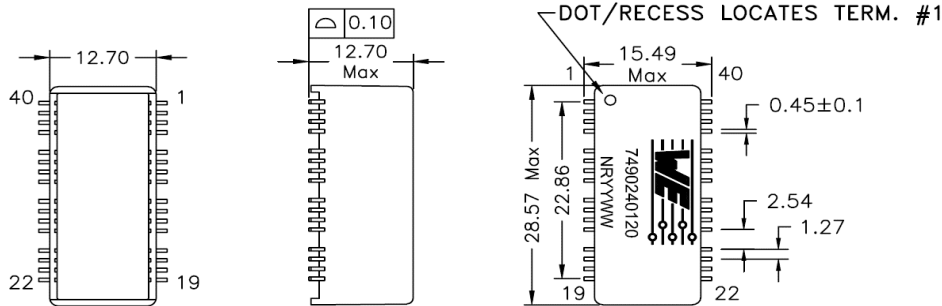
# Spezifikation für Freigabe / specification for release

Kunde / customer :  
 Artikelnummer / part number : **7490240120**  
 Bezeichnung : **LAN-Übertrager WE-LAN High Voltage**  
 description : **LAN-Transformer WE-LAN High Voltage**



DATUM / DATE : 2018-02-28

## A Mechanische Abmessungen / dimensions :

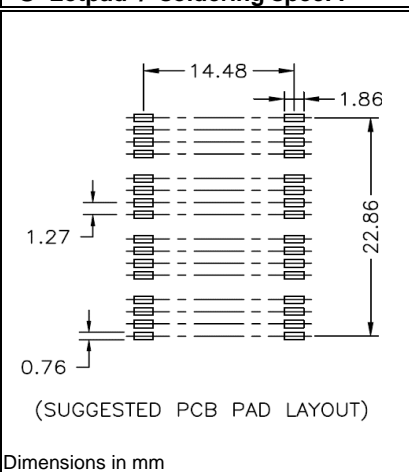


Dimensions in mm

## B Elektrische Eigenschaften / electrical properties :

Eigenschaften / properties	Testbedingungen / test conditions		Wert / value	Einheit / unit	tol.
Induktivität / Inductance	100kHz / 100mV @ 8mA DC-Bias	OCL	350	µH	min.
Übersetzungsverhältnis / Turns ratio	100kHz / 100mV	TR	1 : 1	Tx	2%
			1 : 1	Rx	
Insertion Loss	1-100MHz	IL	-1,3	dB	max.
Return Loss	1-30MHz @ 100Ω	RL	-16	dB	min.
	30-60MHz @ 100Ω		-13		
	60-80MHz @ 100Ω		-10		
	80-100MHz @ 100Ω		-8		
Differential to Common Mode and Common Mode Rejection	30MHz	DCMR / CMRR	-30	dB	min.
	60MHz		-30		
	100MHz		-30		
Crosstalk	60MHz	CT	-35	dB	min.
	100MHz		-35		

## C Lötpad / soldering spec. :



## D Prüfgeräte / test equipment :

HP-4284	CH-19073
HP-8714	CH-3250

## E Testbedingungen / test conditions :

Luftfeuchtigkeit / humidity:	33%
Umgebungstemperatur / temperature:	+25°C

## F Werkstoffe & Zulassungen / material & approvals :

Basismaterial / base material:	Ferrit/ ferrite KFIW-F (pri.0UEW/Y 180 (sec.))
Draht / wire:	
Kontaktmaterial/ contact plating	Cu-Ni-Sn
Gehäuse/ case	UL94-V0

## G Eigenschaften / general specifications :

Betriebstemp. / operating temperature: -40°C - + 105°C  
 Hochspannungsprüfung / Hipot test: 4000Vrms 1min.  
 Geeignet für 1000Base-T gemäß IEEE 802.3ab  
 Compliant for 1000 Base-T applications as per IEEE 802.3ab  
 Coplanarität / Coplanarity: < 0,1 mm  
 Designed gemäß IEC60601-1 mit 4mm min. Kriech- und 3mm min. Luftstrecke für 1xMOOP  
 Designed to comply with IEC60601-1 with 4mm min. creepage and 3mm min. clearance distance for 1xMOOP

Freigabe erteilt / general release:	<b>Kunde / customer</b>		
.....			
Datum / date	Unterschrift / signature		
	<b>Würth Elektronik</b>		
.....			
Geprüft / checked	Kontrolliert / approved	JaB	Version 01
		Name	Änderung / modification
			Datum / date

## Würth Elektronik eiSos GmbH & Co.KG

D-74638 Waldenburg · Max-Eyth-Straße 1 - 3 · Germany · Telefon (+49) (0) 7942 - 945 - 0 · Telefax (+49) (0) 7942 - 945 - 400  
 http://www.we-online.com



# Spezifikation für Freigabe / specification for release

Kunde / customer :  
 Artikelnummer / part number : **7490240120**  
 Bezeichnung : **LAN-Übertrager WE-LAN High Voltage**  
 description : **LAN-Transformer WE-LAN High Voltage**

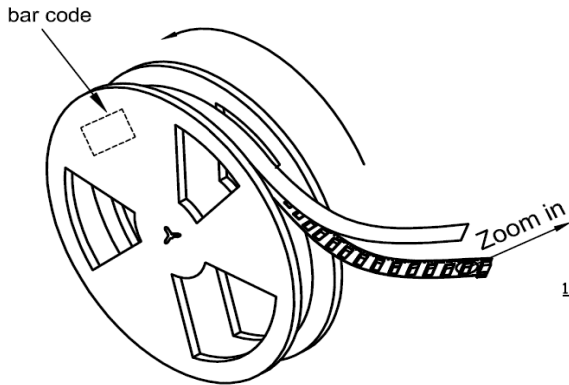


DATUM / DATE : 2018-02-28

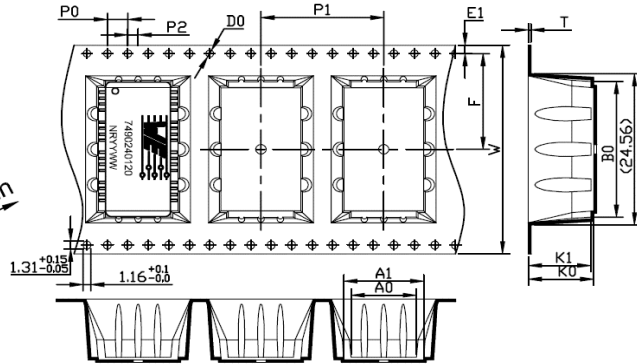
**I Rollenspezifikation / tape and reel specification :**

**Gurtspezifikation / Tape specification:**

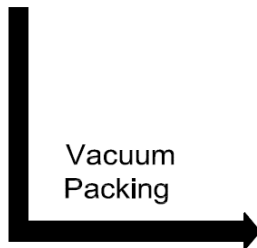
## PACKAGING(Tape & Reel)



(13" Reel)

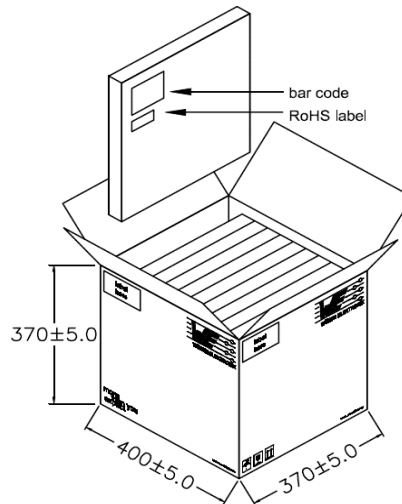


W	44	P0	4.0±0.1	A0	12.75±0.1	B0	28.58±0.1
F	20.2±0.15	P1	24±0.1	A1	15.60±0.1		
E1	1.75±0.1	P2	2±0.15	K0	12.9±0.15		
T	0.5±0.05	D0	Ø1.5~1.6	K1	12.4±0.10		



Vacuum  
Packing

## Outside Carton



PACKING QUANTITY:

200 pcs Finished Goods / Reel

6 Reels (1200 pcs Finished Goods) / Carton

Freigabe erteilt / general release:	<b>Kunde / customer</b>		
Datum / date	Unterschrift / signature		
	<b>Würth Elektronik</b>		
Geprüft / checked	Kontrolliert / approved	JaB	Version 01
		Name	Änderung / modification
			Datum / date

This electronic component has been designed and developed for usage in general electronic equipment. Before incorporating this component into any equipment where higher safety and reliability is especially required or if there is the possibility of direct damage or injury to human body, for example in the range of aerospace, aviation, nuclear control, submarine, transportation, (automotive control, train control, ship control), transportation signal, disaster prevention, medical, public information network etc. Würth Elektronik eiSos GmbH must be informed before the design-in stage. In addition, sufficient reliability evaluation checks for safety must be performed on every electronic component which is used in electrical circuits that require high safety and reliability functions or performance.

### Würth Elektronik eiSos GmbH & Co.KG

D-74638 Waldenburg · Max-Eyth-Straße 1 - 3 · Germany · Telefon (+49) (0) 7942 - 945 - 0 · Telefax (+49) (0) 7942 - 945 - 400  
<http://www.we-online.com>

# Mouser Electronics

Authorized Distributor

Click to View Pricing, Inventory, Delivery & Lifecycle Information:

[Wurth Elektronik:](#)

[7490240120](#)