

REV	ECO	DATE
001	54616	4/29/2013
002	55642	4/28/2015

NOTES: UNLESS OTHERWISE SPECIFIED.

1. MATERIALS AND PLATING:

- 1.1 BODY: (142-0781-881) GOLD PLATED BRASS
(142-0781-882) GOLD PLATED BRASS
- 1.2 INSULATOR: (142-0781-881) TEFLON
(142-0781-882) TEFLON
- 1.3 CENTER CONTACT: (142-0781-881) GOLD PLATED BERYLLIUM COPPER
(142-0781-882) GOLD PLATED BERYLLIUM COPPER
EXPOSED CENTER PIN PRE-TINNED
WITH SAC 305 SOLDER (96.5Sn/3.0Ag/.5Cu)

2. ELECTRICAL SPECIFICATIONS:

- 2.1 IMPEDANCE: 50 OHMS
- 2.2 FREQUENCY RANGE: 0-26.5 GHz
- 2.3 VSWR: 1.05+.02F(GHz) MAX AT 0-18 GHz, TYPICALLY < 1.50 AT 18-26.5 GHz
- 2.4 WORKING VOLTAGE: 170 VRMS MAX AT SEA LEVEL
- 2.5 DIELECTRIC WITHSTANDING VOLTAGE: 500 VRMS MIN AT SEAL LEVEL
- 2.6 INSULATION RESISTANCE: 1000 MEGOHMS MIN
- 2.7 CONTACT RESISTANCE: CENTER CONTACT - INITIAL 3.0 MILLIOHMS MAX,
AFTER ENVIRONMENTAL - 4.0 MILLIOHMS MAX
OUTER CONDUCTOR - INITIAL 2.0 MILLIOHMS MAX
AFTER ENVIRONMENTAL - N/A
- 2.8 CORONA LEVEL: 125 VOLTS MIN AT 70,000 FEET
- 2.9 INSERTION LOSS: N/A (DEPENDANT UPON APPLICATION)
- 2.10 RF HIGH POTENTIAL WITHSTANDING VOLTAGE: 335 VRMS MIN AT 4 AND 7 MHz

3. MECHANICAL SPECIFICATIONS:

- 3.1 ENGAGEMENT/DISENGAGEMENT TORQUE: 2 INCH POUNDS MAX
- 3.2 MATING TORQUE: 7-10 INCH POUNDS WHEN SUPPORTED WITH WRENCH
*8 INCH-POUNDS MAX UNSUPPORTED
- 3.3 CONTACT RETENTION: 6 LBS MIN AXIAL FORCE
4 OZ-IN MIN RADIAL TORQUE
- 3.4 DURABILITY: 500 CYCLES MIN

4. ENVIRONMENTAL SPECIFICATIONS:

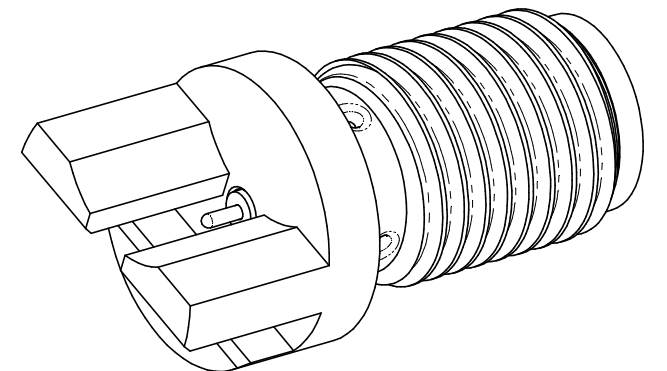
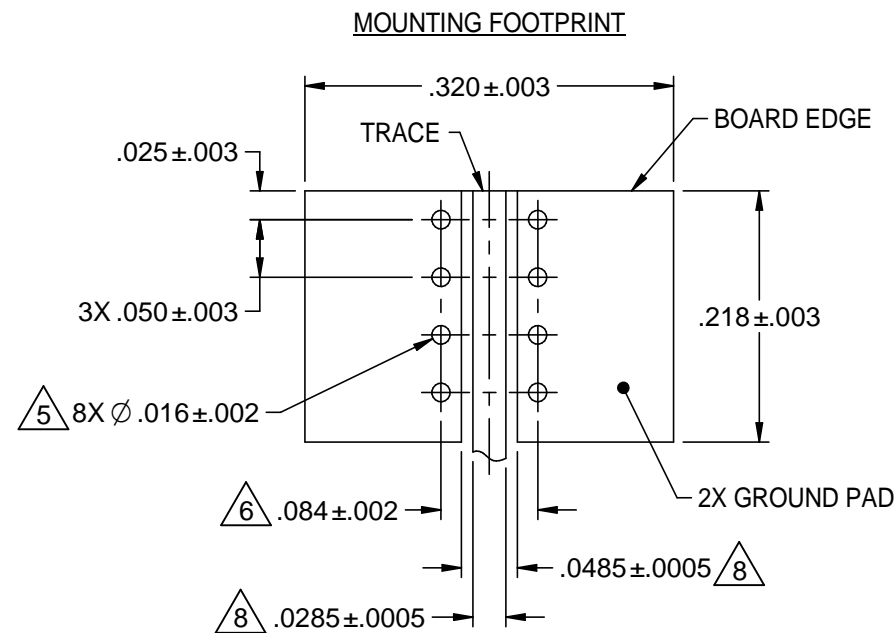
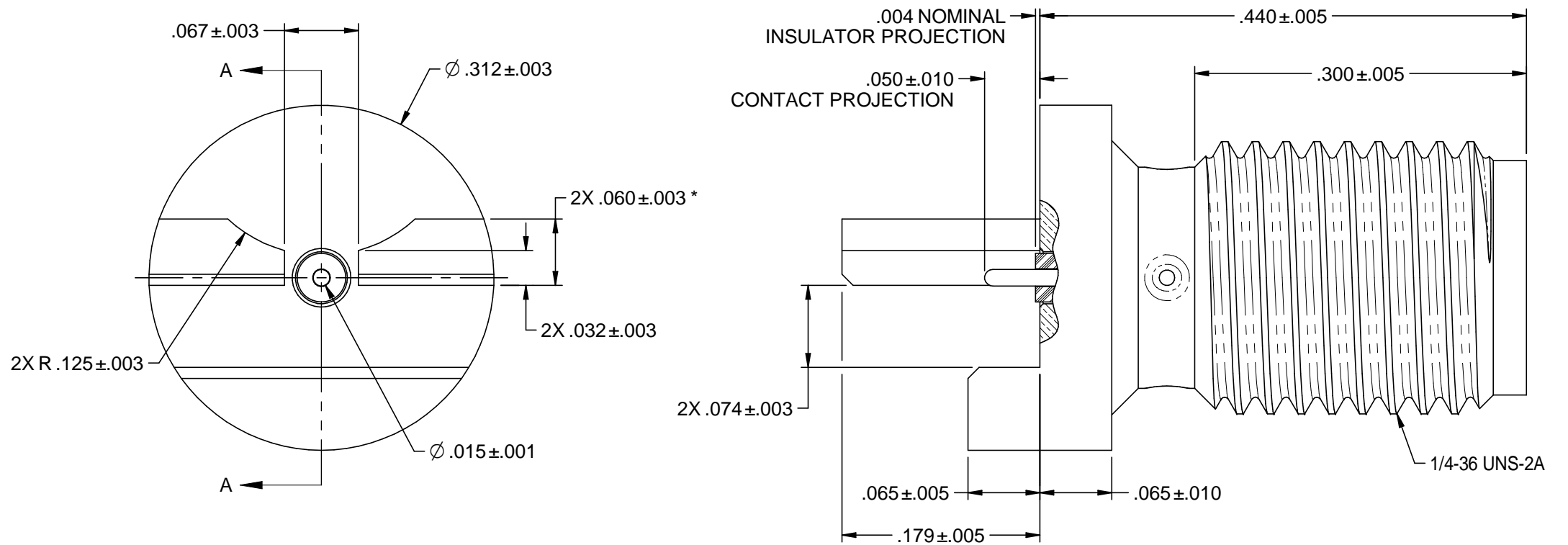
- 4.1 (MEETS OR EXCEEDS THE APPLICABLE PARAGRAPH OF MIL-PRF-39012)
- 4.2 THERMAL SHOCK: MIL-STS-202, METHOD 107, CONDITION B,
- 4.3 EXCEPT 115°C HIGH TEMP
- 4.5 OPERATING TEMPERATURE: -65°C TO 165°C
- 4.6 CORROSION: MIL-STD-202, METHOD 101, CONDITION B
- 4.7 SHOCK: MIL-STD-202, METHOD 213, CONDITION I
- 4.8 VIBRATION: MIL-STD-202, METHOD 204, CONDITION D
- 4.9 MOISTURE RESISTANCE: MIL-STD-202, METHOD 106

5. ALL HOLES PLATED THRU ENTIRE CIRCUIT BOARD STACKUP.

6. HOLE PATTERNS SYMMETRICAL ABOUT CENTER OF CPW TRACE.

7. FOR OPTIMUM CIRCUIT BOARD HIGH FREQUENCY PROFORMANCE:
- A. MAINTAIN SOLID GROUND PLANE BELOW HIGH FREQUENCY SUBSTRATE.
 - B. CONTROL PULLBACK OF TRACE AND GROUND FROM BOARD EDGE.
 - C. CONTINUE GROUNDED COPLANAR LINE BEYOND GROUND PADS.
 - D. PLACE 16 MIL DIA GROUND VIAS ON BOTH SIDES OF COPLANAR WAVEGUIDE LINE AT 50 MIL INTERVALS ALONG ENTIRE LENGTH.
 - E. IMMERSION GOLD PLATE (ENIG) ALL CONDUCTORS PER IPC-4552.

8. REFERENCE DIMENSIONS FOR 50 OHM GROUNDED CPW LINE, USING ROGERS R04003, 16 MIL HIGH FREQUENCY CIRCUIT BOARD SUBSTRATE:
TRACE WIDTH - 28.5 MILS
GROUND GAPS - 10 MILS
CONDUCTOR THICKNESS - 1.4 MIL (INCLUDES PLATING)



<p>The PROPRIETARY Document is property of Emerson Network Power Connectivity Solutions. It is confidential in nature, non-transferable, and shall remain the property of Emerson Network Power. No part of this document may be reproduced, stored in a retrieval system, or transmitted in any form or by any means, electronic, mechanical, photocopying, recording, or by any information storage and retrieval system, without the prior written permission of Emerson Network Power.</p> <p>INTERPRET DRAWING IN ACCORDANCE WITH ASME Y14.5-2009</p>	Model No. 142-0781-881/890	Johnson		
	RoHS 2002/95/EC	Cage Code 34078	Title: HIGH FREQ END LAUNCH SMA BKHD JACK ASSEMBLY, EDGE MOUNT, 15 MIL PIN	
	3RD ANGLE PROJECTION		Drawing No. 142-0781-881/890	Rev. 002
	Drawn by: M. Souriphong		Date: 5/10/2013	Size B
DO NOT SCALE DRAWING		Workmanship Std: NONE	Sheet 1 of 1	

Mouser Electronics

Authorized Distributor

Click to View Pricing, Inventory, Delivery & Lifecycle Information:

[Cinch Connectivity Solutions:](#)

[142-0781-882](#)