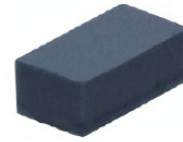


CPDUR Series-HF

RoHS Device

Halogen Free

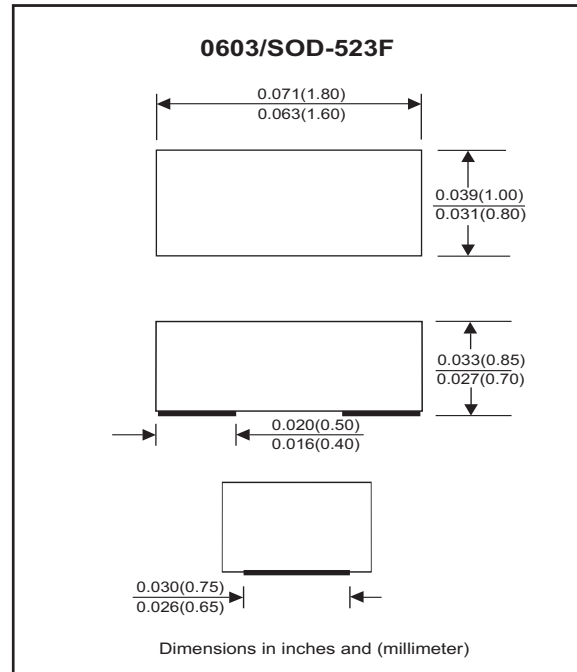


Features

- Bi-directional ESD protection
- Surface mount package.
- High component density.

Mechanical data

- Case: 0603/SOD-523F standard package, molded plastic.
- Terminals: Gold plated, solderable per MIL-STD-750, method 2026.
- Marking Code:
 CPDUR5V0-HF: E05
 CPDUR12V-HF: E12
 CPDUR24V-HF: E24
- Mounting position: Any.
- Weight: 0.003 grams(approx.).



Electrical Characteristics (at TA=25°C unless otherwise noted)

| Parameter | Conditions | Symbol | Min | Typ | Max | Unit |
|-----------------------------|---|------------------|-----------------|-----------------|----------------------|------|
| Diode breakdown voltage | CPDUR5V0-HF CPDUR12V-HF CPDUR24V-HF I _R = 1mA | V _{BD} | 5.1 13 25 | 7.0 17 28 | | V |
| Leakage current | CPDUR5V0-HF CPDUR12V-HF CPDUR24V-HF V _R = 5V V _R = 12V V _R = 24V | I _L | | 0.1 | 2.0 | uA |
| Junction capacitance | CPDUR5V0-HF CPDUR12V-HF CPDUR24V-HF V _R = 0V, f = 1MHz | C _T | | 15 12 10 | 20 - - | pF |
| ESD capability | CPDUR Series-HF IEC 61000-4-2(air) IEC 61000-4-2(contact) | ESD | | | 16 8 | kV |
| Clamping voltage | CPDUR5V0-HF CPDUR12V-HF CPDUR24V-HF I _{PP} = 1A, T _P =8/20us I _{PP} = 5A, T _P =8/20us I _{PP} = 1A, T _P =8/20us I _{PP} = 1A, T _P =8/20us | V _C | | | 10 15 25 47 | V |
| Peak pulse power | CPDUR5V0-HF CPDUR12V-HF CPDUR24V-HF T _P =8/20us | P _{PP} | | | 75 25 47 | W |
| Operation temperature range | CPDUR Series-HF | T _j | -40 | | 125 | °C |
| Storage temperature range | CPDUR Series-HF | T _{STG} | -55 | | 150 | °C |

Company reserves the right to improve product design , functions and reliability without notice.

REV:D

RATING AND CHARACTERISTIC CURVES (CPDUR Series-HF)

Fig.1 - Peak Pulse Current Wave
Form Acc. IEC 61000-4-5

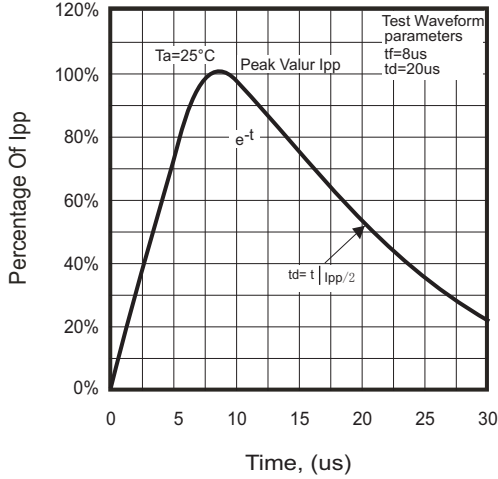


Fig.2-1 - Reverse Characteristics

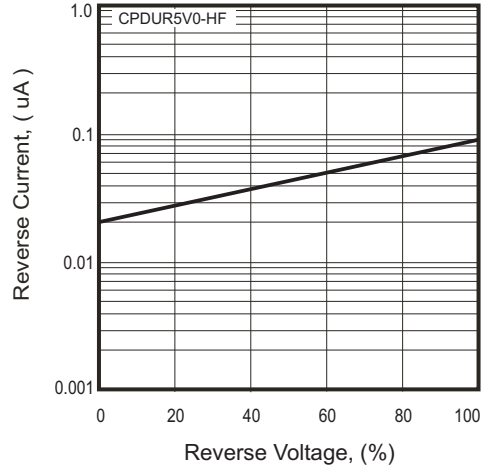


Fig.2-2 - Reverse Characteristics

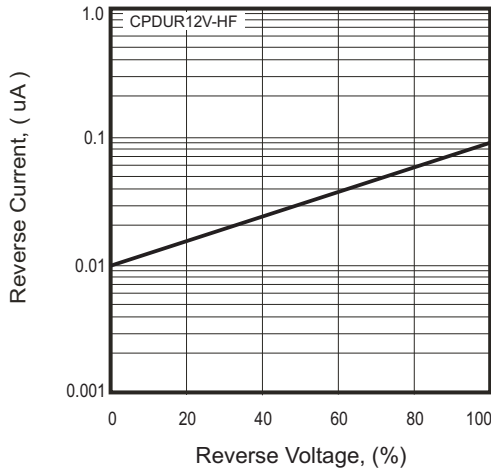


Fig.2-3 - Reverse Characteristics

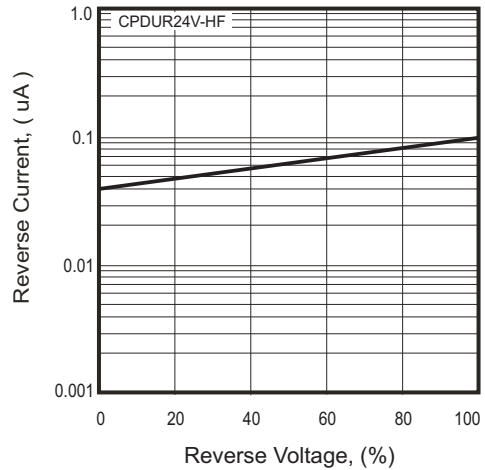


Fig.3 - Capacitance Between
Terminals Characteristics

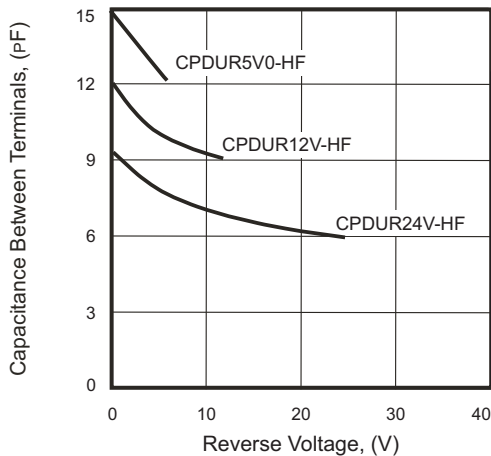
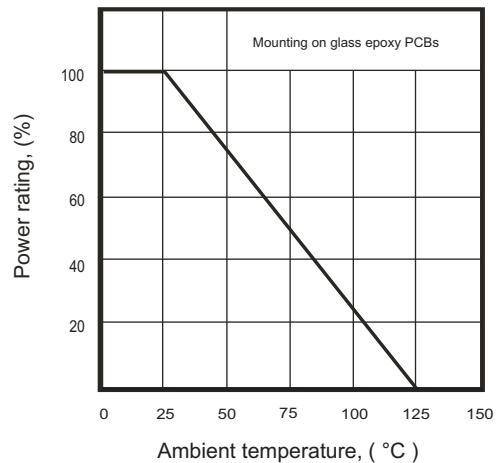
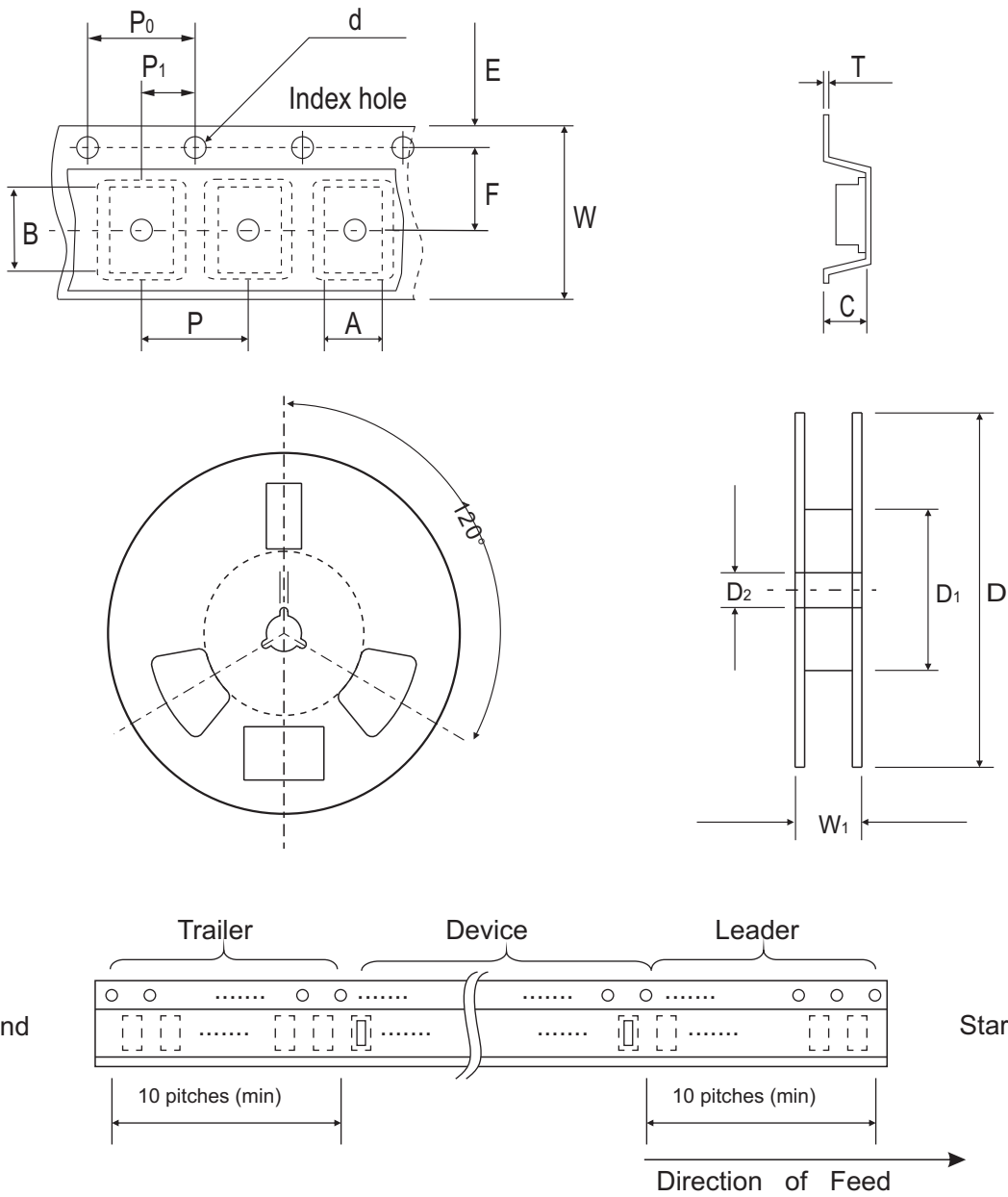


Fig. 4 - Power rating derating curve



Company reserves the right to improve product design, functions and reliability without notice.

Reel Taping Specification



| 0603 (SOD-523) | SYMBOL | A | B | C | d | D | D ₁ | D ₂ |
|-------------------|--------|---------------|---------------|---------------|---------------|--------------|----------------|----------------|
| | (mm) | 1.00 ± 0.10 | 1.85 ± 0.10 | 1.00 ± 0.10 | 1.55 ± 0.05 | 178 ± 1 | 60.0 MIN. | 13.0 ± 0.20 |
| | (inch) | 0.039 ± 0.004 | 0.073 ± 0.004 | 0.039 ± 0.004 | 0.061 ± 0.002 | 7.008 ± 0.04 | 2.362 MIN. | 0.512 ± 0.008 |

| 0603 (SOD-523) | SYMBOL | E | F | P | P ₀ | P ₁ | T | W | W ₁ |
|-------------------|--------|---------------|---------------|---------------|----------------|----------------|---------------|---------------|----------------|
| | (mm) | 1.75 ± 0.10 | 3.50 ± 0.05 | 4.00 ± 0.10 | 4.00 ± 0.10 | 2.00 ± 0.05 | 0.23 ± 0.05 | 8.00 ± 0.20 | 13.5 MAX. |
| | (inch) | 0.069 ± 0.004 | 0.138 ± 0.002 | 0.157 ± 0.004 | 0.157 ± 0.004 | 0.079 ± 0.004 | 0.009 ± 0.002 | 0.315 ± 0.008 | 0.531 MAX. |

Company reserves the right to improve product design, functions and reliability without notice.

REV.D

Marking Code

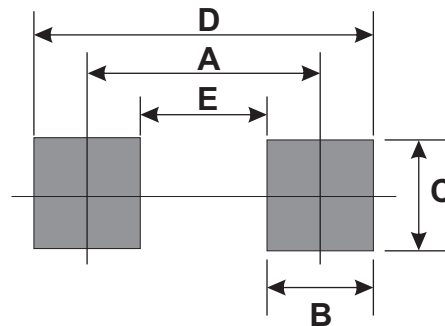
| Part Number | Marking Code |
|-------------|--------------|
| CPDUR5V0-HF | E05 |
| CPDUR12V-HF | E12 |
| CPDUR24V-HF | E24 |



xxx = Product type marking code

Suggested PAD Layout

| SIZE | 0603/SOD-523F | |
|------|---------------|--------|
| | (mm) | (inch) |
| A | 1.25 | 0.049 |
| B | 0.60 | 0.024 |
| C | 1.00 | 0.039 |
| D | 1.85 | 0.073 |
| E | 0.65 | 0.026 |



Standard Packaging

| Case Type | Qty Per Reel | Reel Size |
|---------------|--------------|-----------|
| | (Pcs) | (inch) |
| 0603/SOD-523F | 4,000 | 7 |

Mouser Electronics

Authorized Distributor

Click to View Pricing, Inventory, Delivery & Lifecycle Information:

[Comchip Technology:](#)

[CPDUR24V](#) [CPDUR24V-HF](#)