

#### INTRODUCTION:

Adam Tech Straight PCB tail D-Sub connectors are a popular interface for many I/O applications. Offered in 9, 15, 25, 37 and 50 positions they are an excellent choice for a low cost, sturdy, full metal body industry standard connection. These connectors are manufactured with precision stamped or machined turned contacts offering a choice of contact plating and a wide selection of mating and mounting options.

#### FEATURES:

- Industry standard compatibility
- Durable metal shell design
- Precision formed contacts
- Variety of Mating and mounting options

#### MATING CONNECTORS:

Adam Tech D-Subminiatures and all industry standard D-Subminiature connectors.

#### SPECIFICATIONS:

##### Material:

Standard insulator: PBT, 30% glass reinforced, rated UL94V-0  
 Optional Hi-Temp insulator: Nylon 6T  
 Insulator Colors: Black (White optional)  
 Contacts: Phosphor Bronze  
 Shell: Steel, Tin or Zinc plated  
 Hardware: Brass, Nickel plated

##### Contact Plating:

Gold over Nickel underplate on contact area.

##### Electrical:

Operating voltage: 250V AC / DC max.  
 Current rating: 5 Amps max.  
 Contact resistance: 20 mΩ max. initial  
 Insulation resistance: 5000 MΩ min.  
 Dielectric withstanding voltage: 1000V AC for 1 minute

##### Mechanical:

Insertion force: 0.75 lbs max  
 Extraction force: 0.44 lbs min

##### Temperature Rating:

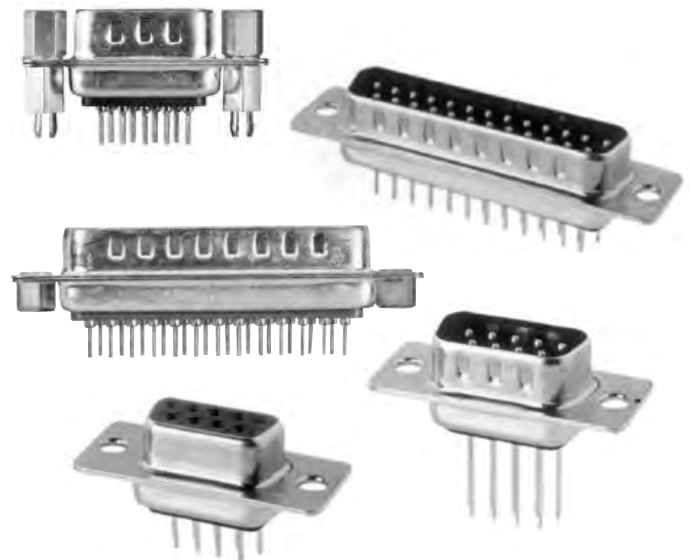
Operating temperature: -55°C to +105°C  
 Soldering process temperature:  
     Standard insulator: 235°C  
     Hi-Temp insulator: 260°C

##### PACKAGING:

Anti-ESD plastic trays

##### APPROVALS AND CERTIFICATIONS:

UL Recognized File no. E224053



#### ORDERING INFORMATION



##### SHELL SIZE/ POSITIONS

**DE09** = 9 Position  
**DA15** = 15 Position  
**DB25** = 25 Position  
**DC37** = 37 Position  
**DD50** = 50 Position

##### CONTACT TYPE

**PT** = Plug, Straight PCB Tail, Standard Profile  
**ST** = Socket, Straight PCB Tail, Standard Profile  
**PE** = Plug, Straight PCB Tail, High Profile  
**SE** = Socket, Straight PCB Tail, High Profile

##### TAIL LENGTH

**1** = Standard tail length for .062"-.125" PCB's  
 (E = .189")  
**2** = Wire wrap tail  
 (E = .512")

##### MOUNTING OPTIONS

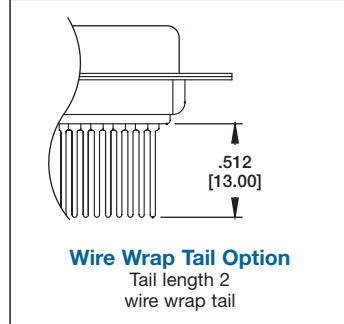
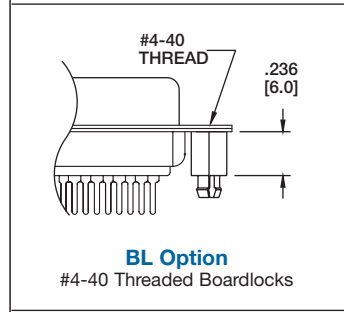
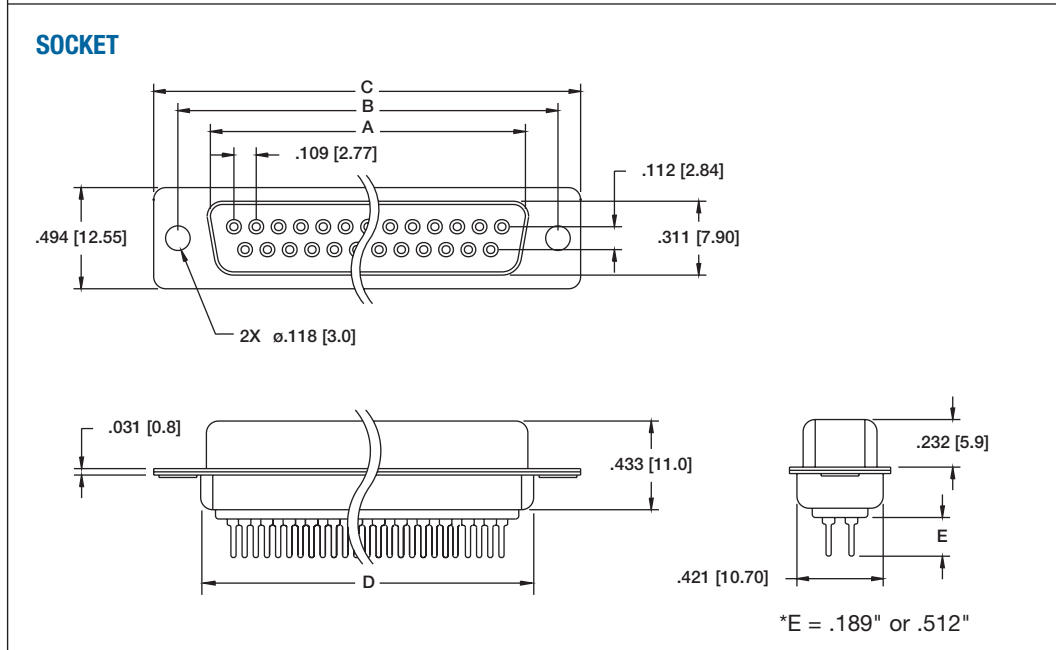
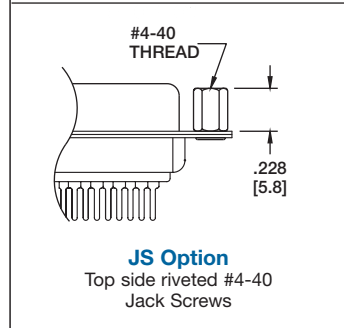
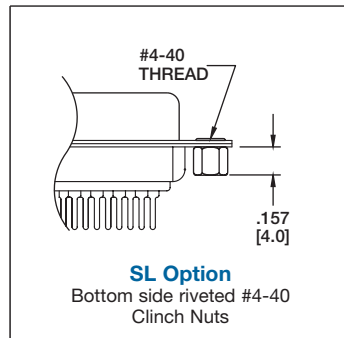
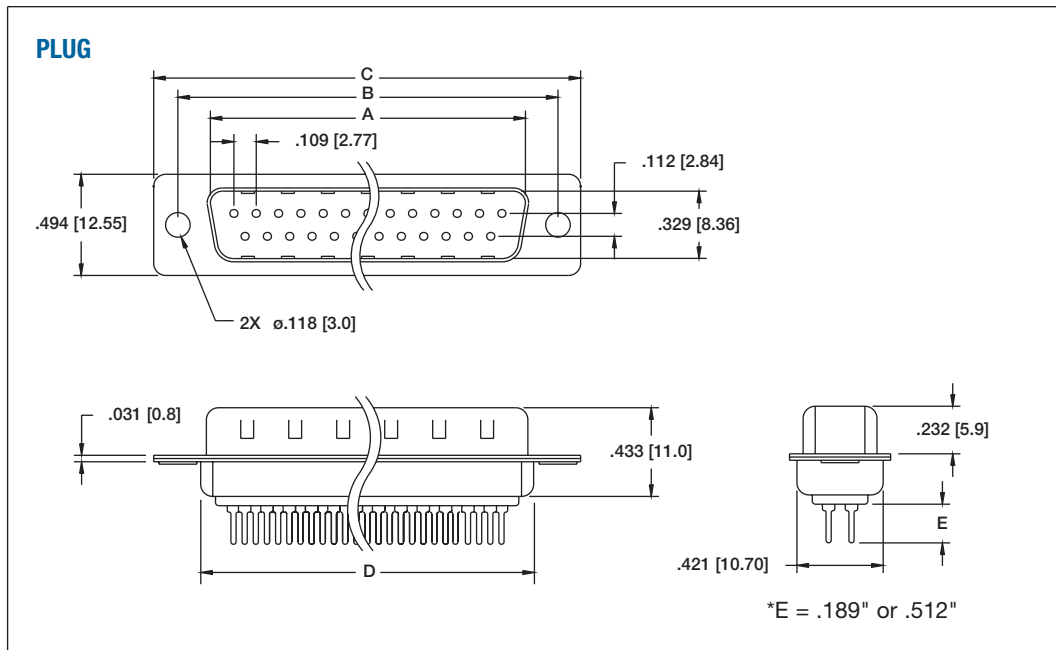
**BLANK** = .120" Mounting Holes  
**SL** = Bottom side riveted #4-40 Clinch Nuts  
**JS** = Top side riveted #4-40 Jackscrews  
**BL** = Riveted #4-40 Internal Threaded Standoffs with Boardlocks  
**R** = Riveted Round Jack Screws  
**JSL** = Bottom side riveted #4-40 Clinch Nuts with Jack Screws installed

##### OPTIONS:

Add designator(s) to end of part number  
**EMI** = Ferrite filtered version for EMI / RFI suppression (Page 114)  
**HT** = Hi-Temp insulator for hi-temp soldering processes up to 260°C



### MOUNTING OPTIONS



Unit: Inch [mm]

Positions	PLUG	SOCKET	DIMENSIONS		
	A	A	B	C	D
9	.666 [16.92]	.643 [16.33]	.984 [24.99]	1.213 [30.81]	.756 [19.20]
15	.994 [25.25]	.971 [24.66]	1.312 [33.32]	1.541 [39.14]	1.091 [27.70]
25	1.534 [38.96]	1.511 [38.38]	1.852 [47.04]	2.088 [53.04]	1.618 [41.10]
37	2.182 [55.43]	2.159 [54.84]	2.500 [63.50]	2.729 [69.32]	2.256 [57.30]
50	2.079 [52.81]	2.064 [52.43]	2.406 [61.11]	2.637 [67.00]	2.169 [55.10]

