

6

5

4

3

2

1

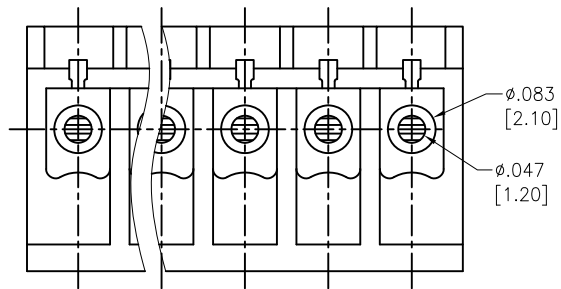
APPROVED: _____

DATE: _____ TITLE: _____

Rev	AWO #	Description	Date	Appr
-		RELEASED	5/2/14	
A		REVISED DIM.	6/4/14	HR/VY
B		UPDATE SPEC.	8/27/15	AY

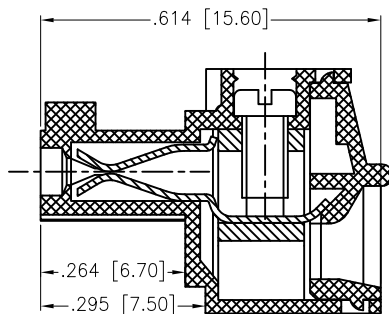
D

D

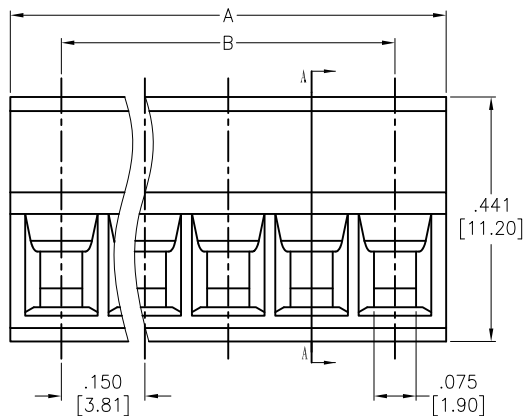


C

C



SECTION A-A



B

B

SPECIFICATIONS:

Material:

Insulator: PA66, rated UL 94V-0

Insulator color: Green

Screw: M2, Steel, Zinc plated

Wire Guard: Brass, Nickel plated

Clamp: Phosphor Bronze, Nickel plated

Electrical:

Operation voltage: 300V max

Current rating: 8 Amps max

Contact resistance: 20 mohms max

Insulation resistance: 500 Mohms min @ 500 VDC

Dielectric withstanding voltage: 2,000 VAC for 1 minute

A

Mechanical:

Torque: 0.2Nm, 1.7lb-in

Strip length: 6-7mm

Temperature Rating:

Operating temperature: -40°C to +105°C

Environmental:

Lead free, RoHS compliant.



Positions: 2 thru 24

A = .150 [3.81] x No. of Spaces + .181 [4.60]

B = .150 [3.81] x No. of Spaces

UNLESS OTHERWISE SPECIFIED ALL DIMENSIONS ARE INCHES [MM] TOLERANCES: EXCEPT AS NOTED		ADAM TECH 909 Rahway Avenue, Union, NJ 07083 Phone: 908-687-5000 Fax: 908-687-5710	
INCHES HOLES			
.X ± .10	Ø.X ± .10	TITLE PLUGGABLE BLOCK, PITCH .150 [3.81]	
.XX ± .020	Ø.XX ± .015		
.XXX ± .015	Ø.XXX ± .010	REV. B	
APPROVALS		DATE	
DRAWN	HR	5/2/14	
CHECKED	SY	5/2/14	
APPROVED			
SIZE X	PART NO.	REF: S00067C SCALE: NTS SHEET 1 OF 1	
EBKA-XX-B			

6

5

4

3

2

1

A