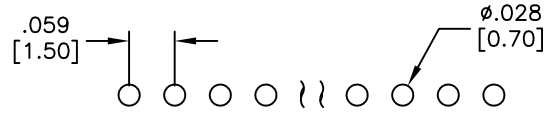
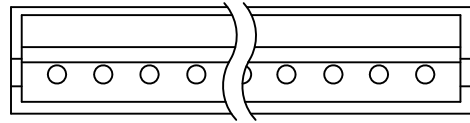
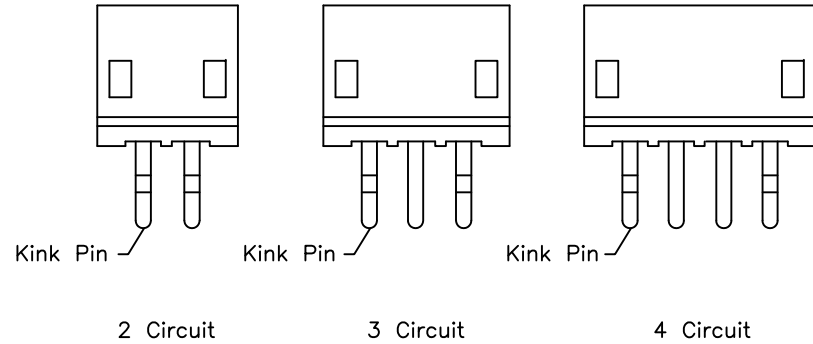
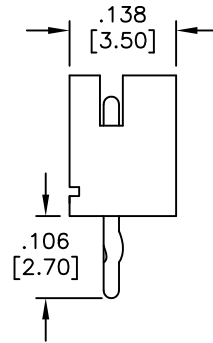
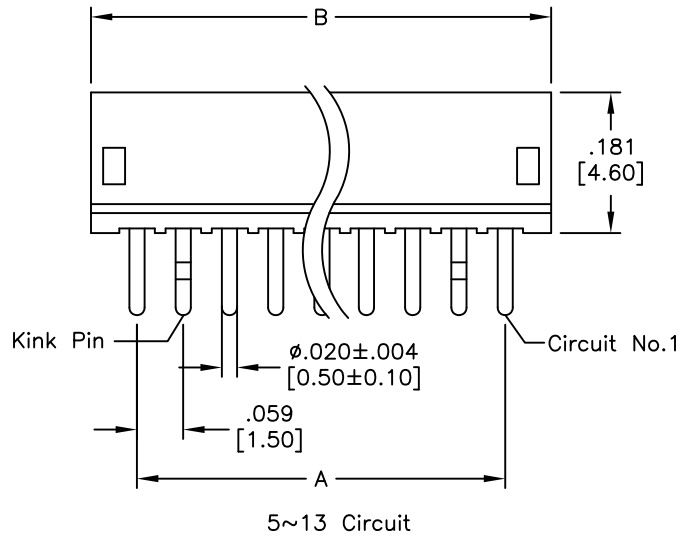


APPROVED: _____
 DATE: _____ TITLE: _____

Rev	AWO #	Description	Date	Appr
-		RELEASED	8/14/09	
A		ADDED DIM.	4/6/11	
B		ADDED CONTACTS TOLERANCES	11/5/15	AY/RT



RECOMMENDED PCB LAYOUT



SPECIFICATIONS:

Material:
 Insulator: Nylon 66, rated UL 94V-0
 Insulator color: Ivory
 Contacts: Brass

Plating:
 Tin over Nickel underplate overall

Electrical:
 Operating voltage: 50 V AC/DC
 Current rating: 1 A AC/DC
 Contact resistance: 20 mohms max
 Insulation resistance: 500 Mohms min
 Dielectric withstanding voltage: 500 VAC for 1 minute

Temperature Rating:
 Operating temperature: -25°C to +85°C
 Environmental:
 Lead free, RoHS compliant.



Positions: 2 thru 13
 A=.059 [1.50] X No. of Spaces
 B=.059 [1.50] X No. of Positions + .059 [1.50]

UNLESS OTHERWISE SPECIFIED ALL DIMENSIONS ARE INCHES [MM] TOLERANCES: EXCEPT AS NOTED		ADAM TECH 909 Rahway Avenue, Union, NJ 07083 Phone: 908-687-5000 Fax: 908-687-5710	
INCHES HOLES			
.X ± .10	Ø.X ± .10	TITLE .059 [1.50] VERTICAL HEADER	
.XX ± .020	Ø.XX ± .015		
.XXX ± .015	Ø.XXX ± .010		
APPROVALS		DATE	
DRAWN	DY	8/14/09	
CHECKED		SIZE X	PART NO. 15SH-A-XX-TS
APPROVED		REF: S00124T	SCALE: NTS
		SHEET 1 OF 1	