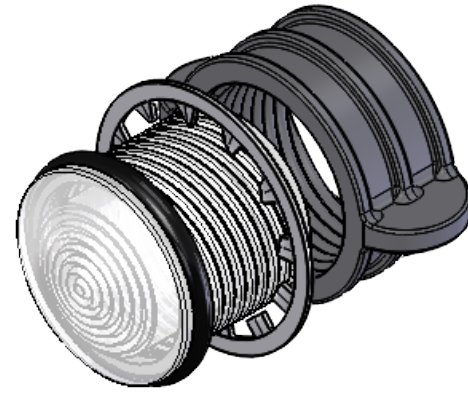


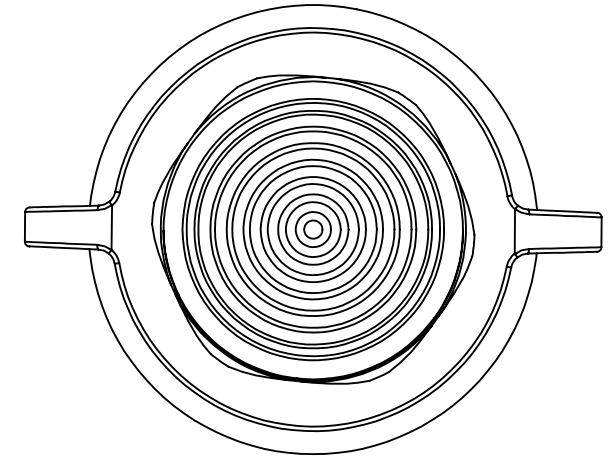
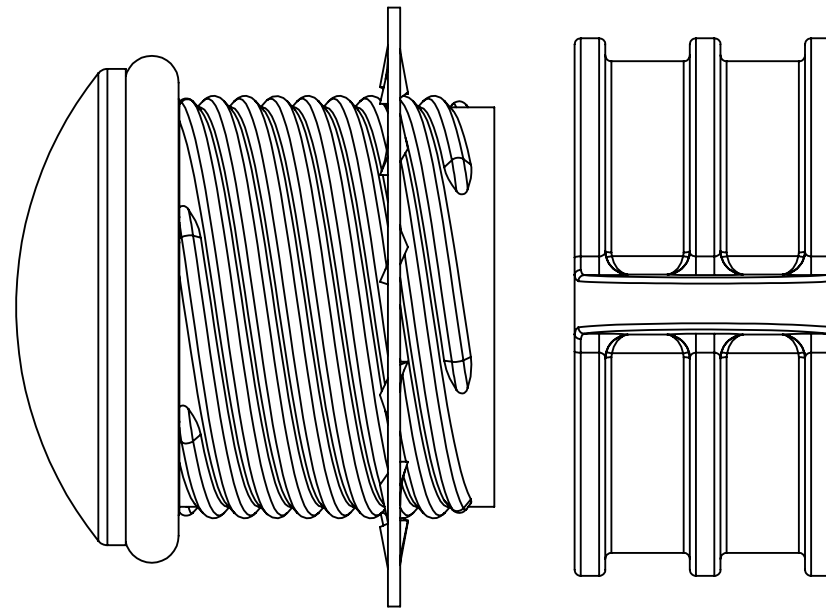
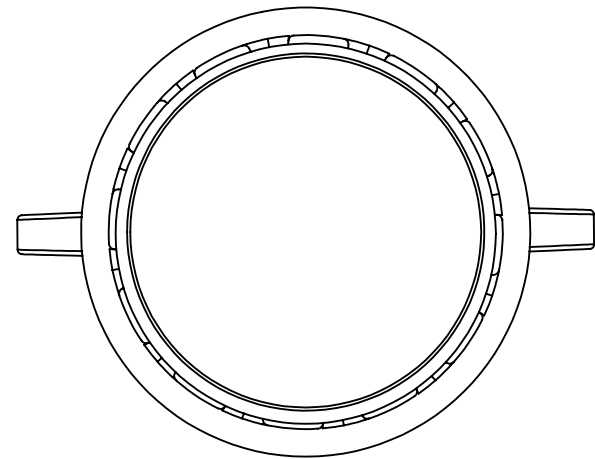
NOTES:

1. MOUNTING: MOUNTS IN A  $\phi .562 \pm .002$  [ $\phi 16.56\text{mm} \pm .05$ ] PANEL HOLE ON  $.750$  [ $19.05\text{mm}$ ] CENTERS. PANEL THICKNESS  $.031$  [ $.8\text{mm}$ ] TO  $.187$  [ $4.75\text{mm}$ ]. PANEL HOLE SHOULD BE DEBURRED, BUT NOT CHAMFERED.
2. ASSEMBLY: INSERT LENS THROUGH PANEL HOLE, SLIDE LOCK WASHER ONTO LENS BARREL AND TWIST ON RETAINING RING. PCB MOUNTED LEDS SLIDE INTO LENS WHEN THE PANEL COVER IS CLOSED OR THE PCB CARD IS INSERTED INTO THE CASE.
3. MATERIAL: LENS-POLYCARBONATE, UL 94-V2  
 LOCK WASHER- FH STEEL, NICKEL PLATE  
 RETAINING RING - THERMOPLASTIC, U.L. 94 V0 RATED  
 SEAL- EPDM
4. SOME PARTS PACKAGED SEPERATELY
5. U.S. & FOREIGN PAT. ISSUED & PEND.



ISOMETRIC VIEW  
ONLY FOR REF.

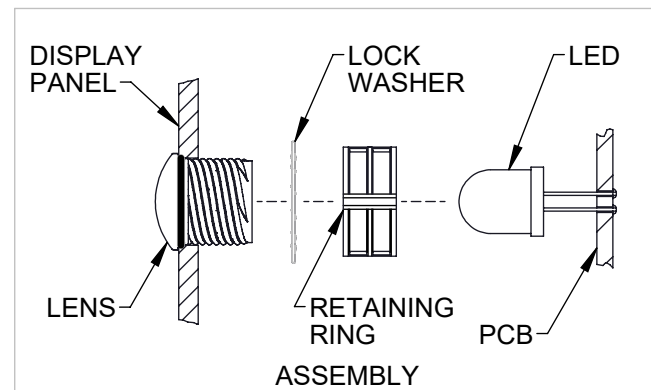
REVISIONS				
ECN#	REV.	DESCRIPTION	DATE	INITIALS
	001	REVISED PER ECR111009AZ01	7/7/10	KH
2148	002	RETAINING RING PART NUMBER UPDATED	TBD	AS



ORDERING CODE : **HMS 462 XXX**

MODEL

LENS COLOR	
RTP	RED TRANSPARENT
ATP	AMBER TRANSPARENT
GTP	GREEN TRANSPARENT
BTP	BLUE TRANSPARENT
YTP	YELLOW TRANSPARENT
CTP	CLEAR TRANSPARENT



DIMENSION STYLE: INCHES / MM GENERAL TOLERANCES UNLESS OTHERWISE SPECIFIED		
	INCHES	MM
.X	$\pm .020$	$\pm .508$
.XX	$\pm .010$	$\pm .254$
.XXX	$\pm .005$	$\pm .127$
ANGLE $\pm 1^\circ$ BREAK ALL CORNERS AND SHARP EDGES .030 MAX		

THIRD ANGLE PROJECTION

PROPRIETARY AND CONFIDENTIAL  
 THE INFORMATION CONTAINED IN THIS DRAWING IS THE SOLE PROPERTY OF VISUAL COMMUNICATIONS COMPANY, INC. ANY REPRODUCTION IN PART OR AS A WHOLE WITHOUT THE WRITTEN PERMISSION OF VISUAL COMMUNICATIONS COMPANY, INC IS PROHIBITED.

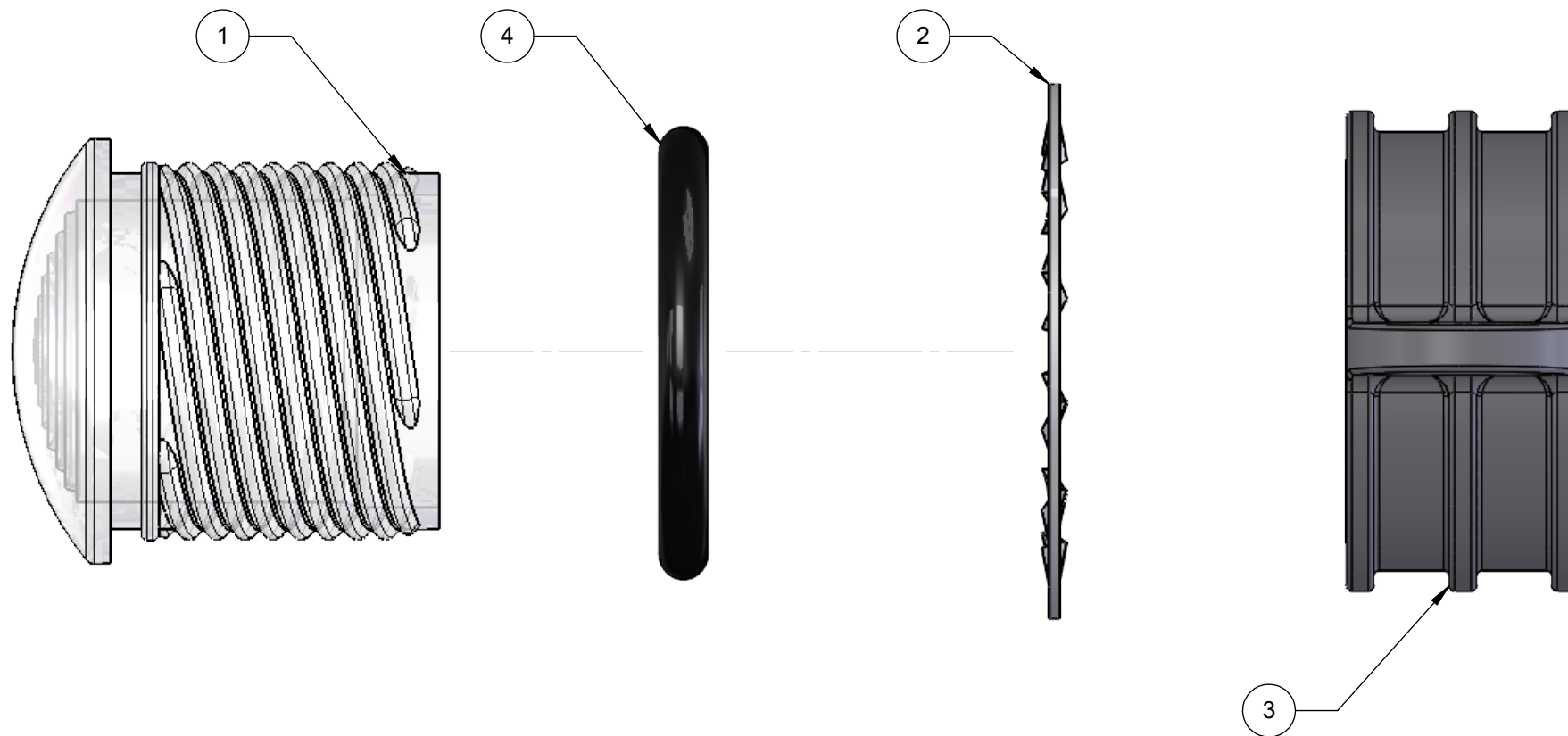
MATERIAL SEE NOTES	
FINISH SEE NOTES	
APPROVAL	DATE
DRAWN: K.Howard	7/7/10
CHECKED: DPZ	7/7/10
DO NOT SCALE DRAWING	

**VCC** OPTOELECTRONICS  
 190 BOSSTICK BLVD, SUITE 101 SAN MARCOS, CA 92069 U.S.A  
 PHONE: (760) 560-1300, FAX: (760) 560-1301 EMAIL: vccsales@vcclite.com

TITLE: **CLIPLITE HMS 462 ASSEMBLY**

SIZE <b>B</b>	DWG. NO. <b>HMS 462 XXX_E</b>	REV <b>002</b>
SCALE: 4:1		SHEET 1 OF 4

ITEM NO.	PART NUMBER	DESCRIPTION	QTY.
1	461 XXX	10mm STANDARD THREADED FRESNEL LENS	1
2	HLW 461	10mm LOCKWASHER	1
3	RTN_714	NUT, RETAINING 14MM	1
4	HLS 462 BLK	10MM MOISTURE SEAL	1



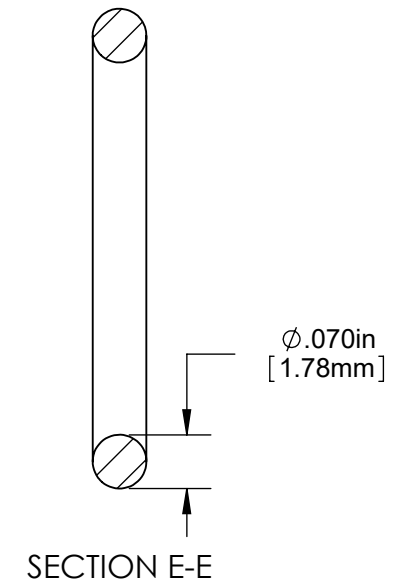
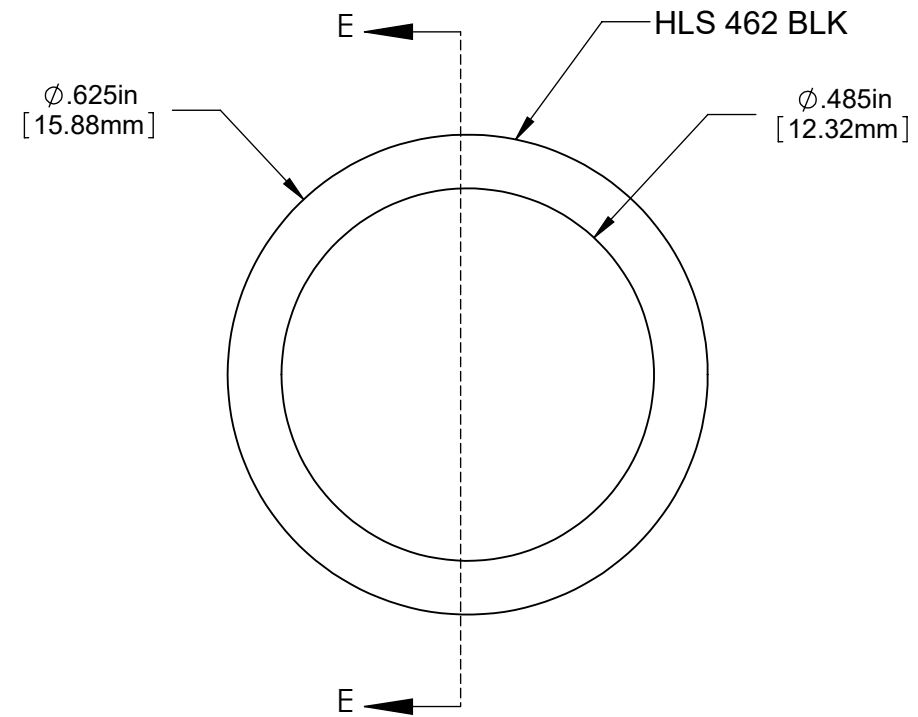
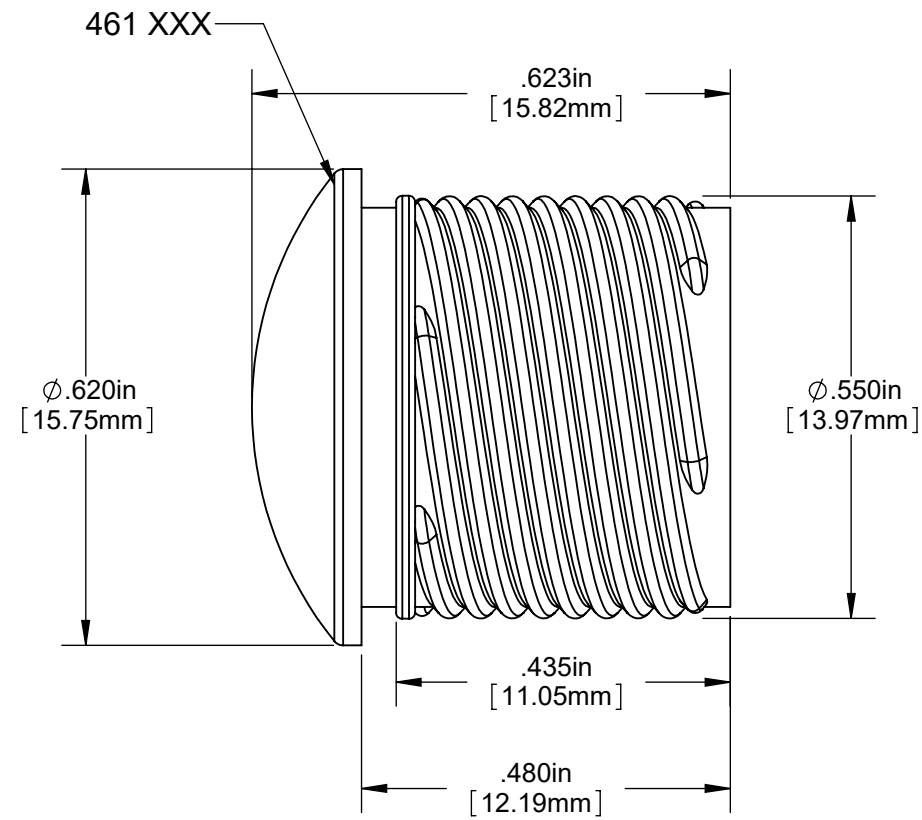
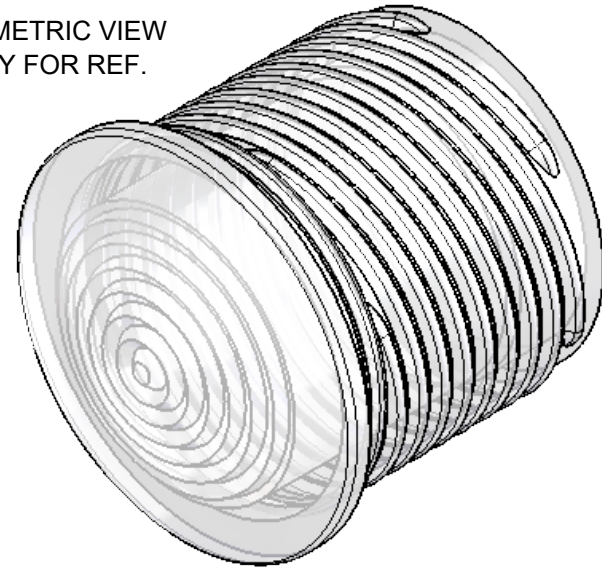
DIMENSION STYLE: INCHES / MM GENERAL TOLERANCES UNLESS OTHERWISE SPECIFIED	
	INCHES    MM
.X	± .020    ± .508
.XX	± .010    ± .254
.XXX	± .005    ± .127
ANGLE ± 1°	
BREAK ALL CORNERS AND SHARP EDGES .500 MAX.	
THIRD ANGLE PROJECTION	
<small>PROPRIETARY AND CONFIDENTIAL THE INFORMATION CONTAINED IN THIS DRAWING IS THE SOLE PROPERTY OF VISUAL COMMUNICATIONS COMPANY, INC. ANY REPRODUCTION IN PART OR AS A WHOLE WITHOUT THE WRITTEN PERMISSION OF VISUAL COMMUNICATIONS COMPANY, INC IS PROHIBITED.</small>	

MATERIAL	
SEE NOTES	
FINISH	
SEE NOTES	
APPROVAL	DATE
DRAWN    K.Howard	7/7/10
CHECKED    DPZ	7/7/10
DO NOT SCALE DRAWING	

<small>190 BOSSTICK BLVD. SUITE 101 SAN MARCOS, CA 92069 U.S.A PHONE: (760) 560-1300, FAX: (760) 560-1301 EMAIL: vccsales@vcclite.com</small>		
TITLE: <b>CLIPLITE HMS 462 ASSEMBLY</b>		
SIZE	DWG. NO.	REV
<b>B</b>	<b>HMS 462 XXX_E</b>	<b>002</b>
SCALE: 4:1		SHEET 2 OF 4

**NOTES:**  
**USE FOR REFERENCE ONLY**

ISOMETRIC VIEW  
 ONLY FOR REF.



DIMENSION STYLE: INCHES / MM	
GENERAL TOLERANCES UNLESS OTHERWISE SPECIFIED:	
INCHES	MM
.X	± .020 ± .508
.XX	± .010 ± .254
.XXX	± .005 ± .127

ANGLE ± 1°  
 BREAK ALL CORNERS AND SHARP EDGES .030 MAX.



**THIRD ANGLE PROJECTION**  
 PROPRIETARY AND CONFIDENTIAL  
 THE INFORMATION CONTAINED IN THIS DRAWING IS THE SOLE PROPERTY OF VISUAL COMMUNICATIONS COMPANY, INC. ANY REPRODUCTION IN PART OR AS A WHOLE WITHOUT THE WRITTEN PERMISSION OF VISUAL COMMUNICATIONS COMPANY, INC. IS PROHIBITED.

MATERIAL  
 SEE NOTES

FINISH  
 SEE NOTES

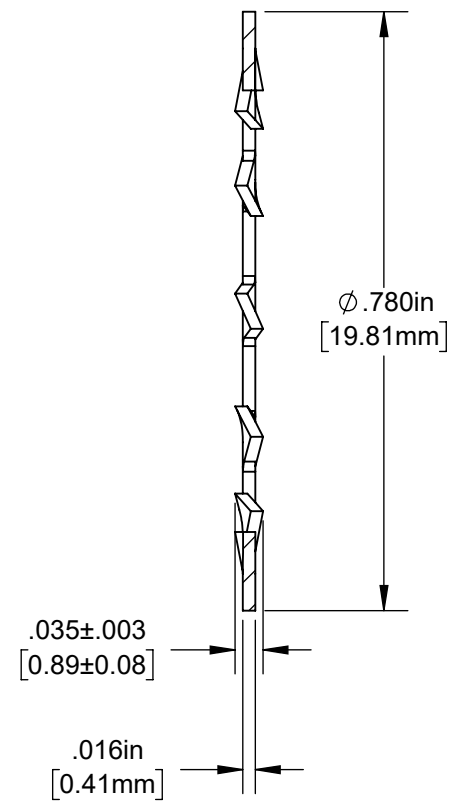
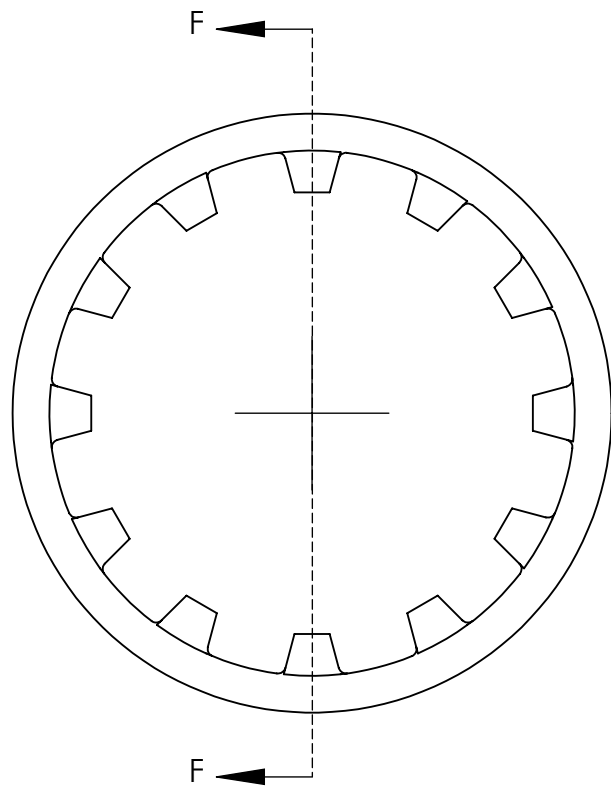
APPROVAL	DATE
DRAWN K.Howard	7/7/10
CHECKED DPZ	7/7/10
DO NOT SCALE DRAWING	

**VGG OPTOELECTRONICS**  
 190 BOSSTICK BLVD, SUITE 101 SAN MARCOS, CA 92069 U.S.A  
 PHONE: (760) 560-1300, FAX: (760) 560-1301 EMAIL: vccsales@vccilite.com

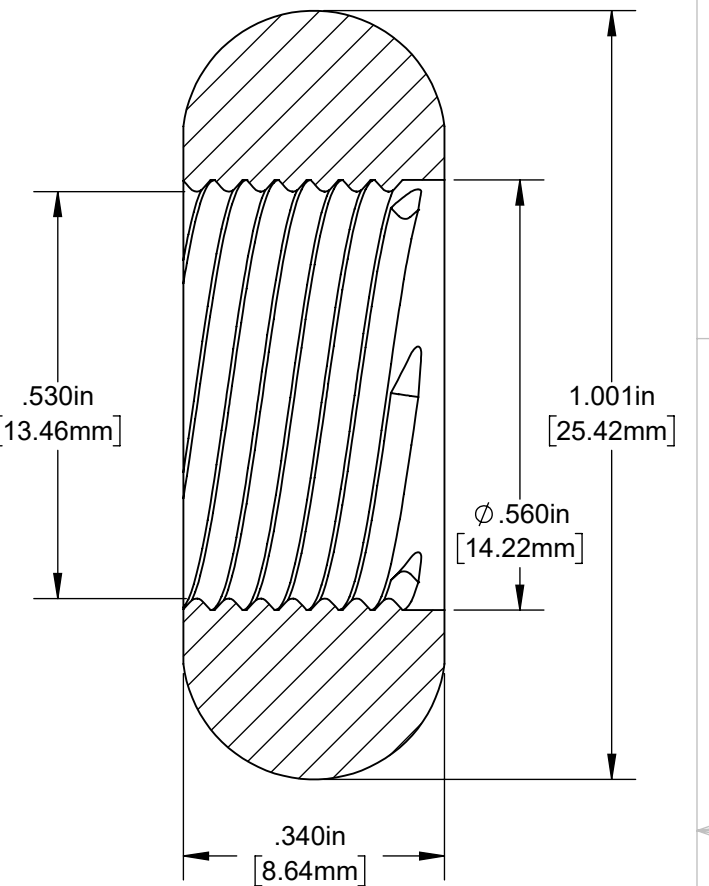
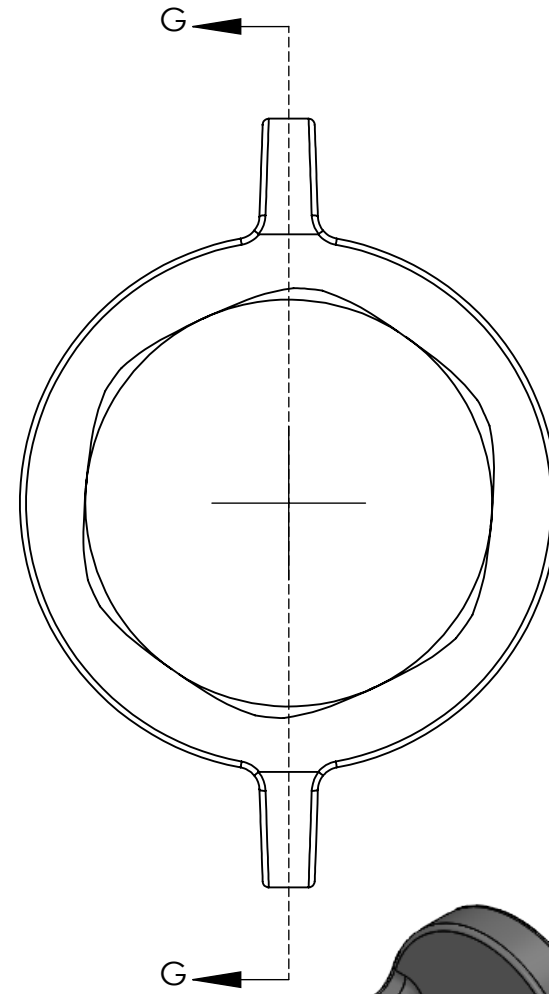
TITLE:  
**10MM STANDARD THREADED FRESNEL LENS W/SEAL**

SIZE	DWG. NO.	REV
<b>B</b>	HMS 462 XXX_E	002
SCALE: 4:1		SHEET 3 OF 4

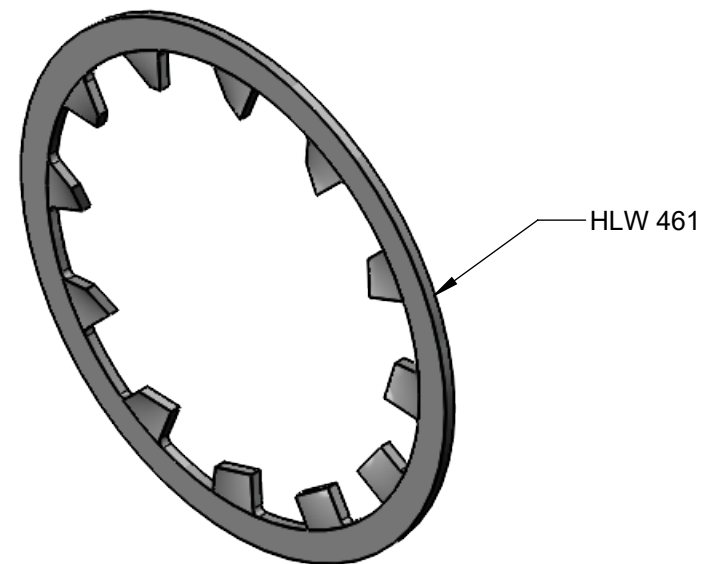
**NOTES:**  
**USE FOR REFERENCE ONLY**



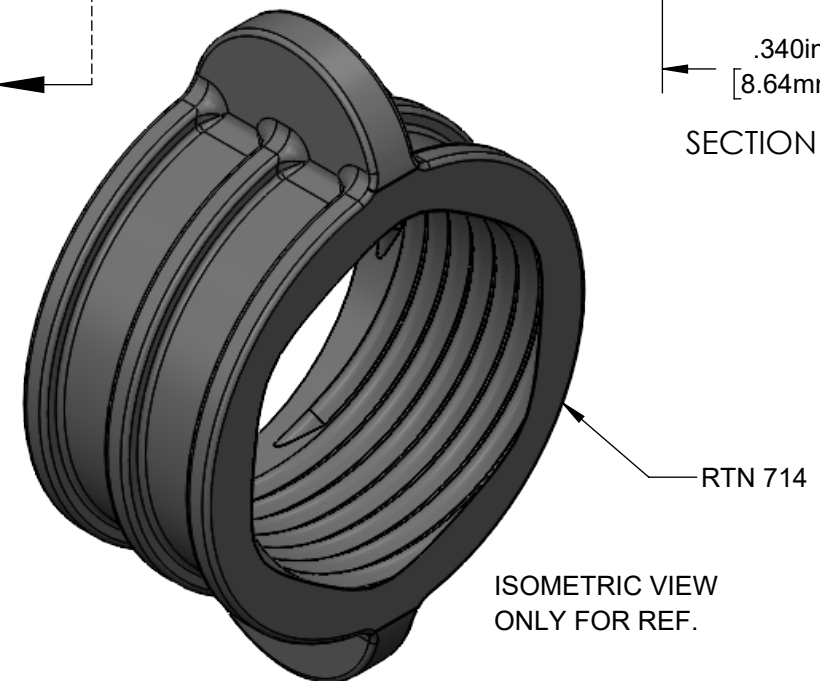
SECTION F-F



SECTION G-G



ISOMETRIC VIEW  
 ONLY FOR REF.



ISOMETRIC VIEW  
 ONLY FOR REF.

DIMENSION STYLE: INCHES / MM  
 GENERAL TOLERANCES UNLESS  
 OTHERWISE SPECIFIED

	INCHES	MM
.X	± .020	± .508
.XX	± .010	± .254
.XXX	± .005	± .127

ANGLE ± 1°  
 BREAK ALL CORNERS AND SHARP  
 EDGES: Ø30 MAX



THIRD ANGLE PROJECTION  
 PROPRIETARY AND CONFIDENTIAL  
 THE INFORMATION CONTAINED IN THIS  
 DRAWING IS THE SOLE PROPERTY OF  
 VISUAL COMMUNICATIONS COMPANY, INC. ANY  
 REPRODUCTION IN PART OR AS A WHOLE  
 WITHOUT THE WRITTEN PERMISSION OF  
 VISUAL COMMUNICATIONS COMPANY, INC IS  
 PROHIBITED.

MATERIAL

SEE NOTES

FINISH

SEE NOTES

APPROVAL

DATE

DRAWN K.Howard

7/7/10

CHECKED DPZ

7/7/10

DO NOT SCALE DRAWING

**VCC** OPTOELECTRONICS

190 BOSSSTICK BLVD, SUITE 101 SAN MARCOS, CA 92069 U.S.A  
 PHONE: (760) 560-1300, FAX: (760) 560-1301 EMAIL: vccsales@vcclite.com

TITLE:  
**10mm LOCKWASHER  
 W/ RETAINING RING NUT**

SIZE

DWG. NO.

REV

**B**

HMS 462 XXX\_E

002

SCALE: 4:1

SHEET 4 OF 4

# Mouser Electronics

Authorized Distributor

Click to View Pricing, Inventory, Delivery & Lifecycle Information:

VCC:

[HMS\\_462\\_ATP](#) [HMS\\_462\\_BTP](#) [HMS\\_462\\_CTP](#) [HMS\\_462\\_GTP](#) [HMS\\_462\\_RTP](#) [HMS\\_462\\_YTP](#)