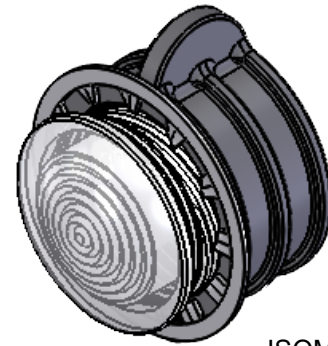


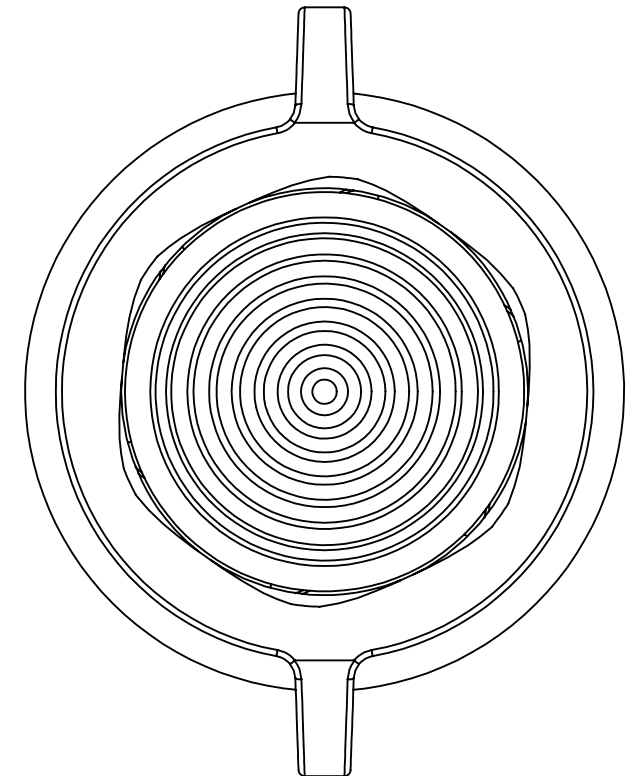
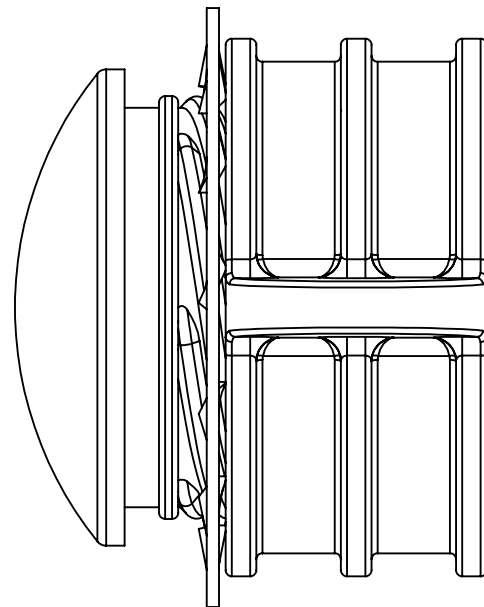
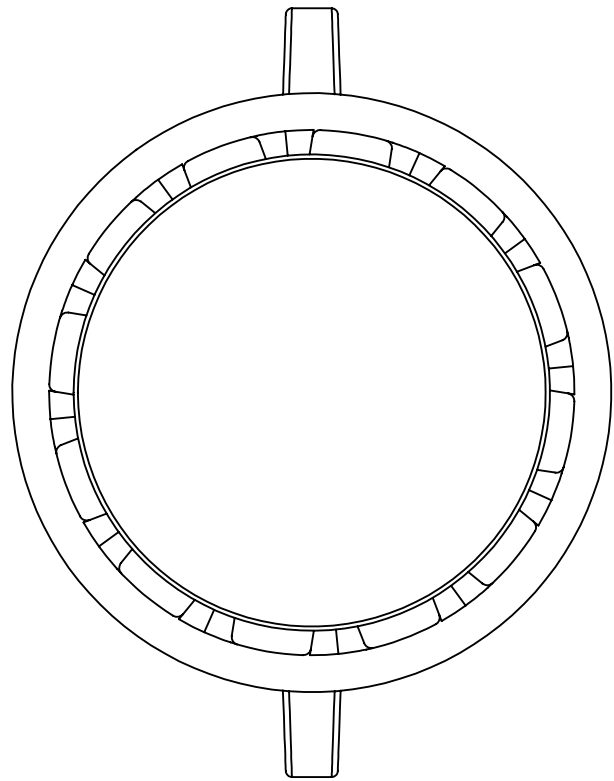
NOTES:

1. MOUNTING: MOUNTS IN A  $\phi .562 \pm .002$  [ $\phi 16.56\text{mm} \pm .05$ ] PANEL HOLE ON  $.750$  [ $19.05\text{mm}$ ] CENTERS. PANEL THICKNESS  $.031$  [ $.8\text{mm}$ ] TO  $.187$  [ $4.75\text{mm}$ ]. PANEL HOLE SHOULD BE DEBURRED, BUT NOT CHAMFERED.
2. ASSEMBLY: INSERT LENS THROUGH PANEL HOLE, SLIDE LOCK WASHER ONTO LENS BARREL AND TWIST ON RETAINING RING. PCB MOUNTED LED'S SLIDE INTO LENS WHEN THE PANEL COVER IS CLOSED OR THE PCB CARD IS INSERTED INTO THE CASE.
3. MATERIAL: LENS-POLYCARBONATE, UL 94-V2  
 LOCK WASHER- FH STEEL, NICKEL PLATE  
 RETAINING RING - THERMOPLASTIC, U.L. 94 V0 RATED
4. PARTS PACKAGED SEPERATELY
5. U.S. & FOREIGN PAT. ISSUED & PEND.



ISOMETRIC VIEW ONLY FOR REF.

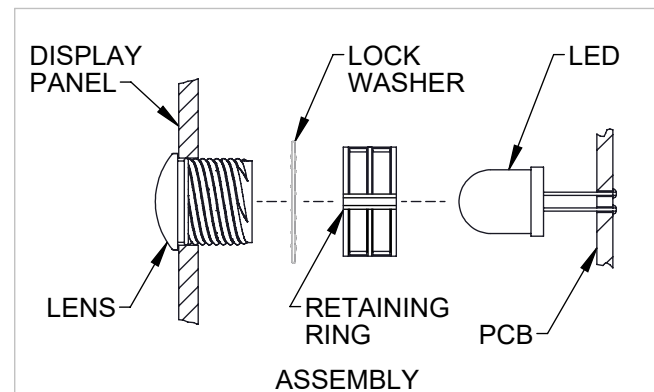
REVISIONS				
ECN#	REV.	DESCRIPTION	DATE	INITIALS
	001	REVISED PER ECR111009AZ01	7/7/10	KH
2148	002	RETAINING RING PART NUMBER UPDATED	TBD	AS



ORDERING CODE : **HMC 461 XXX**

MODEL

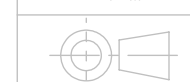
LENS COLOR	
RTP	RED TRANSPARENT
ATP	AMBER TRANSPARENT
GTP	GREEN TRANSPARENT
BTP	BLUE TRANSPARENT
YTP	YELLOW TRANSPARENT
CTP	CLEAR TRANSPARENT



UNLESS OTHERWISE SPECIFIED DIMENSIONS ARE IN INCHES:

ANGLES DECIMALS  
 $\pm 1'$  .X  $\pm .020$   
 .XX  $\pm .010$   
 .XXX  $\pm .005$

BREAK ALL CORNERS AND SHARP EDGES: .005 MAX



THIRD ANGLE PROJECTION

PROPRIETARY AND CONFIDENTIAL  
 THE INFORMATION CONTAINED IN THIS DRAWING IS THE SOLE PROPERTY OF VISUAL COMMUNICATIONS COMPANY, INC. ANY REPRODUCTION IN PART OR AS A WHOLE WITHOUT THE WRITTEN PERMISSION OF VISUAL COMMUNICATIONS COMPANY, INC IS PROHIBITED.

MATERIAL  
 SEE NOTES

FINISH  
 SEE NOTES

APPROVAL DATE

DRAWN: K.Howard 7/7/10

CHECKED: DPZ 7/7/10

DO NOT SCALE DRAWING

**VISUAL COMMUNICATIONS COMPANY, INC.**  
 190 Bosstick Boulevard, Suite 101 San Marcos, CA 92069 USA  
 Phone (760) 560-1300 Fax (760) 560-1301 email vccsales@vcclite.com

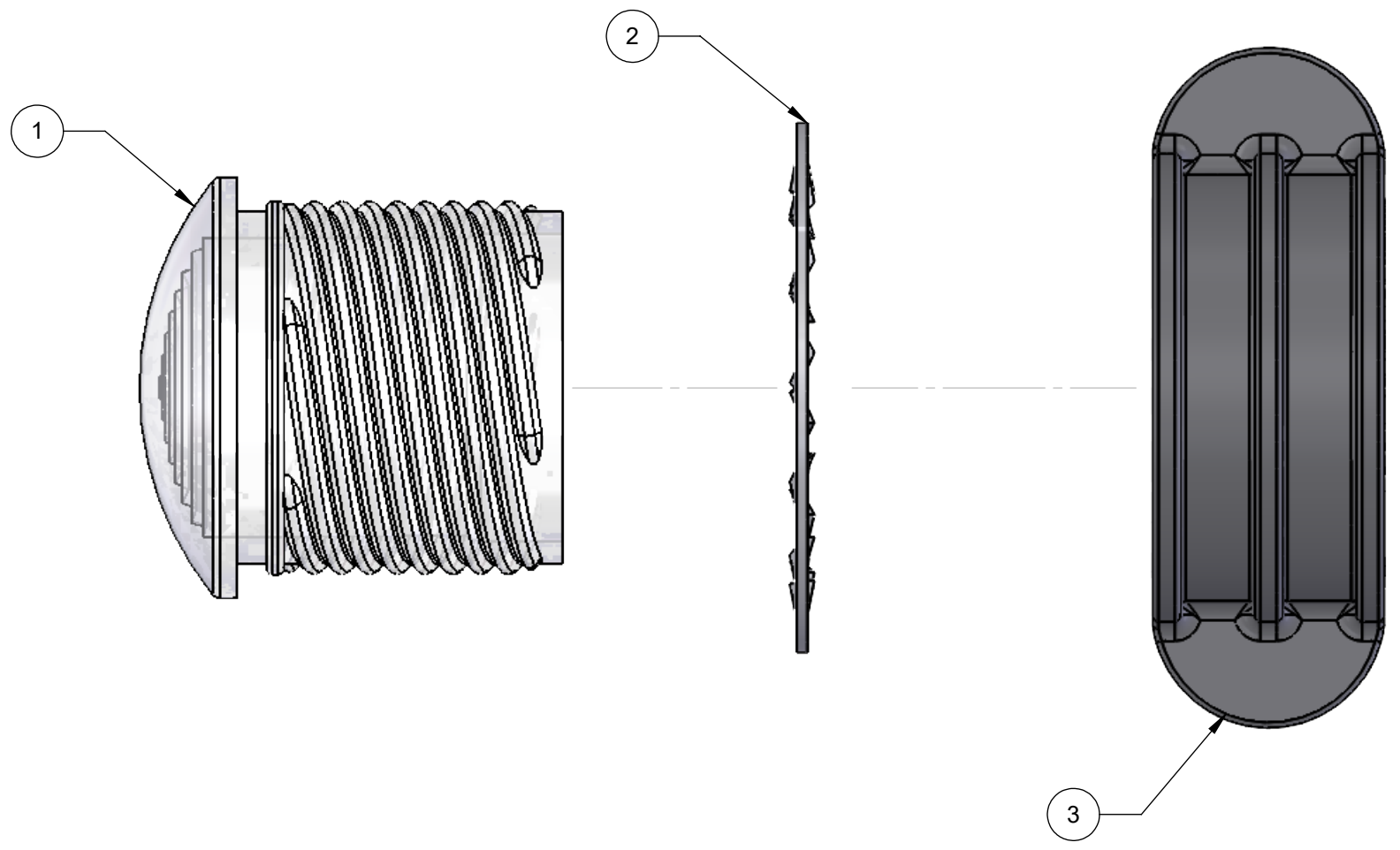
TITLE:  
**CLIPLITE HMC 461 ASSEMBLY**

SIZE DWG. NO. REV  
**B HMC 461 XXX\_E 002**

SCALE: 4:1 SHEET 1 OF 4

ITEM NO.	PART NUMBER	DESCRIPTION	QTY.
1	461 XXX	10MM STANDARD THREADED FRESNEL LENS	1
2	HLW 461	10mm LOCKWASHER	1
3	RTN_714	NUT, RETAINING 14MM	1

REVISIONS				
ECN #	REV	DESCRIPTION	DATE	INITIALS
		SEE SHEET 1		



UNLESS OTHERWISE SPECIFIED  
DIMENSIONS ARE IN INCHES:

ANGLES	DECIMALS
±1'	.X ±.020
	.XX ±.010
FINISH	.XXX ±.005

BREAK ALL CORNERS AND SHARP  
EDGES .030 MAX

THIRD ANGLE PROJECTION

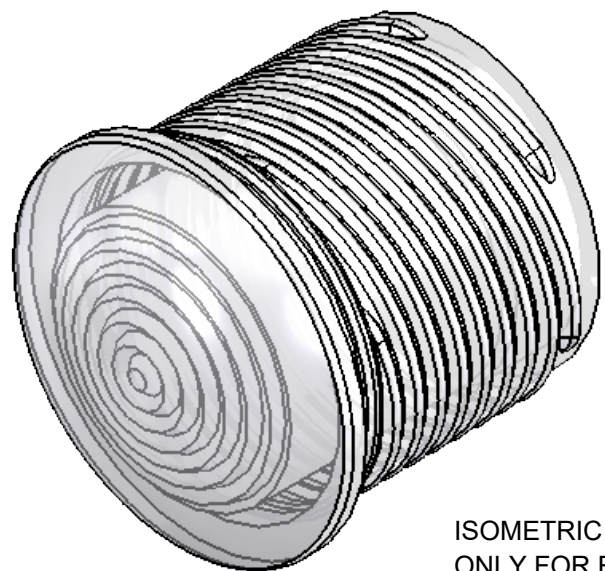
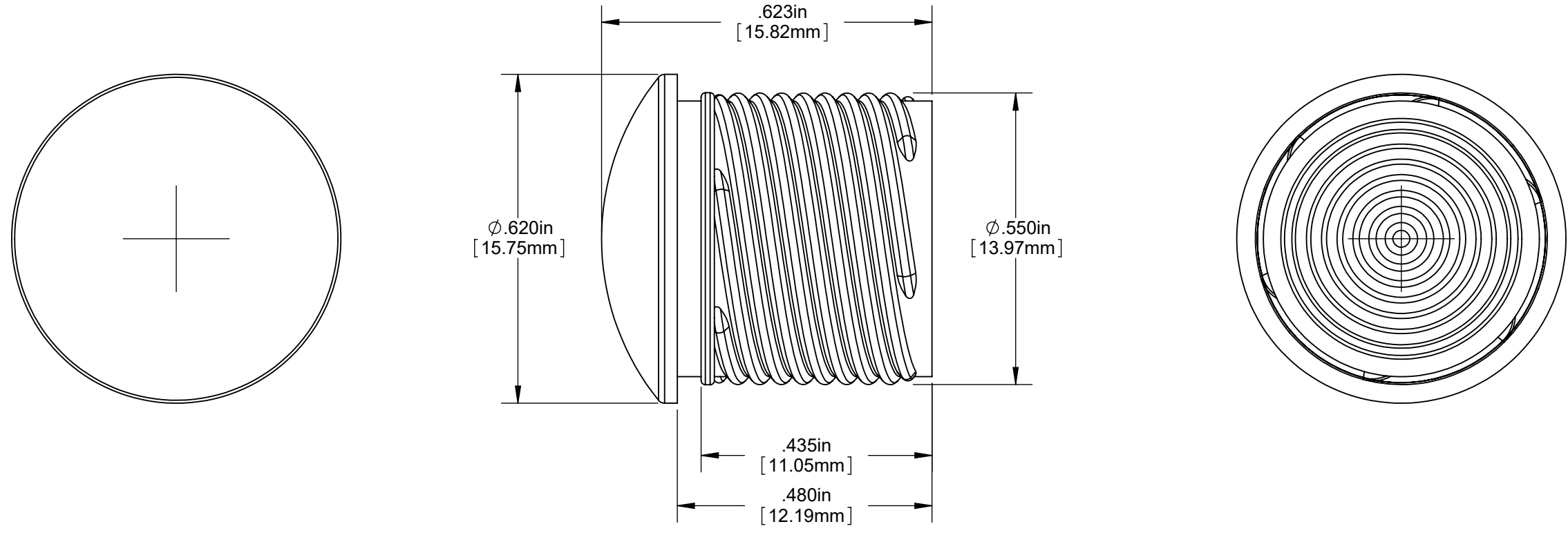
PROPRIETARY AND CONFIDENTIAL  
THE INFORMATION CONTAINED IN THIS  
DRAWING IS THE SOLE PROPERTY OF  
VISUAL COMMUNICATIONS COMPANY, INC. ANY  
REPRODUCTION IN PART OR AS A WHOLE  
WITHOUT THE WRITTEN PERMISSION OF  
VISUAL COMMUNICATIONS COMPANY, INC IS  
PROHIBITED.

MATERIAL	
SEE NOTES	
FINISH	
SEE NOTES	
APPROVAL	DATE
DRAWN K.Howard	7/7/10
CHECKED DPZ	7/7/10
DO NOT SCALE DRAWING	

<b>VISUAL COMMUNICATIONS COMPANY, INC.</b> 190 Bosstick Boulevard, Suite 101 San Marcos, CA 92069 USA Phone (760) 560-1300 Fax (760) 560-1301 email vccsales@vcclite.com		
TITLE: <b>CLIPLITE HMC 461 ASSEMBLY</b>		
SIZE	DWG. NO.	REV
<b>B</b>	<b>HMC 461 XXX_E</b>	<b>002</b>
SCALE: 4:1		SHEET 2 OF 4

**NOTES:**  
**USE FOR REFERENCE ONLY**

ECN #		REV	REVISIONS	DATE	INITIALS
			DESCRIPTION		
			SEE NOTES		



ISOMETRIC VIEW  
 ONLY FOR REF.

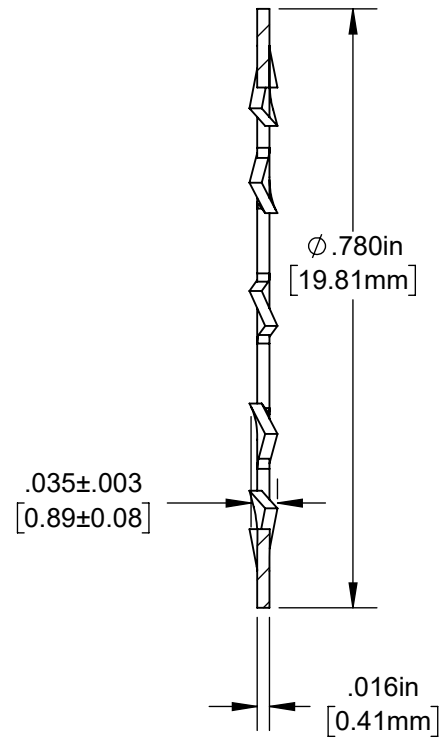
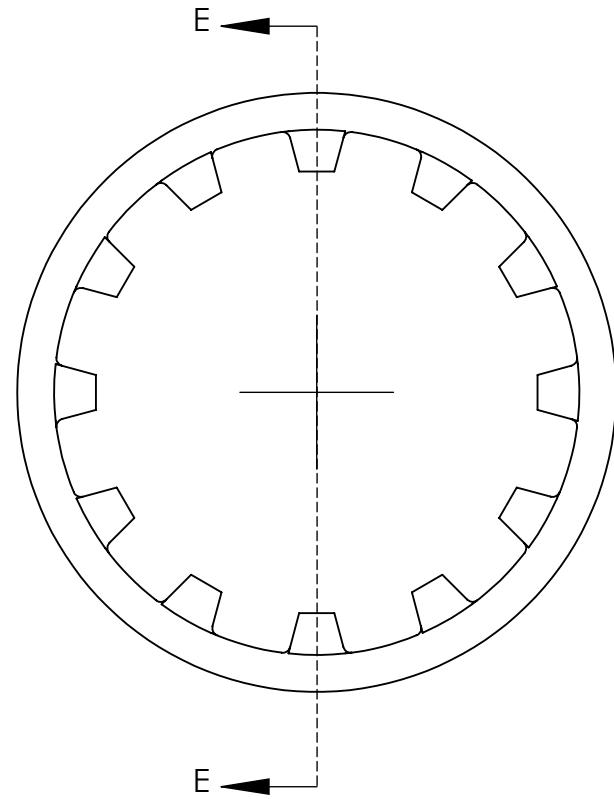
UNLESS OTHERWISE SPECIFIED  
 DIMENSIONS ARE IN INCHES:  
 ANGLES ±1'  
 DECIMALS .X ±.020  
 .XX ±.010  
 .XXX ±.005  
 FINISH  
 BREAK ALL CORNERS AND SHARP  
 EDGES .030 MAX  
 THIRD ANGLE PROJECTION  
 PROPRIETARY AND CONFIDENTIAL  
 THE INFORMATION CONTAINED IN THIS  
 DRAWING IS THE SOLE PROPERTY OF  
 VISUAL COMMUNICATIONS COMPANY, INC. ANY  
 REPRODUCTION IN PART OR AS A WHOLE  
 WITHOUT THE WRITTEN PERMISSION OF  
 VISUAL COMMUNICATIONS COMPANY, INC IS  
 PROHIBITED.

MATERIAL		SEE NOTES
FINISH		SEE NOTES
APPROVAL	DATE	
DRAWN	K.Howard	7/7/10
CHECKED	DPZ	7/7/10
DO NOT SCALE DRAWING		

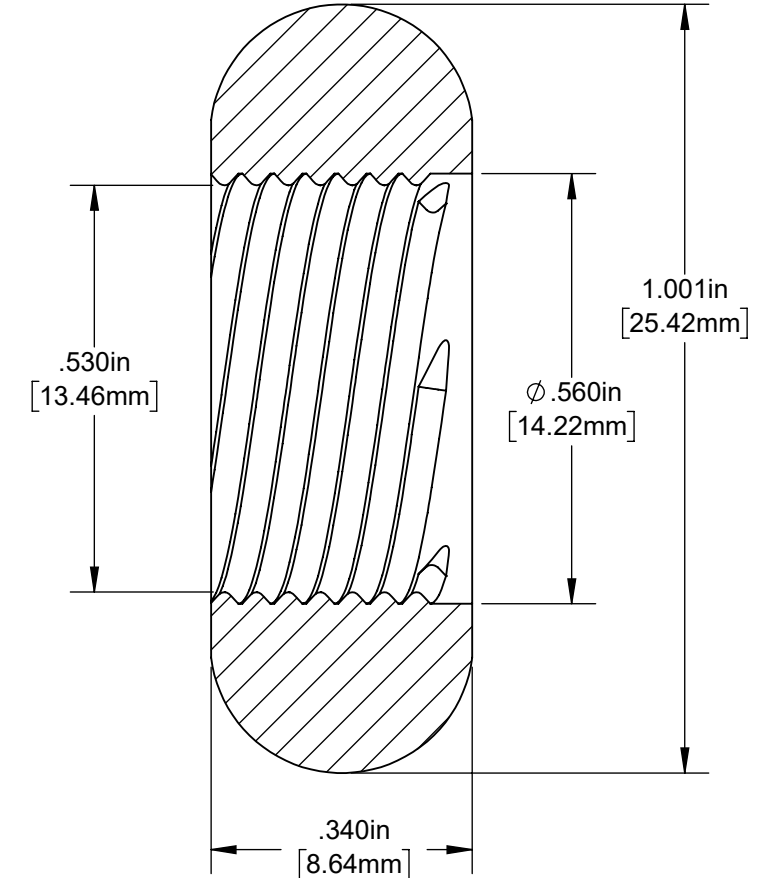
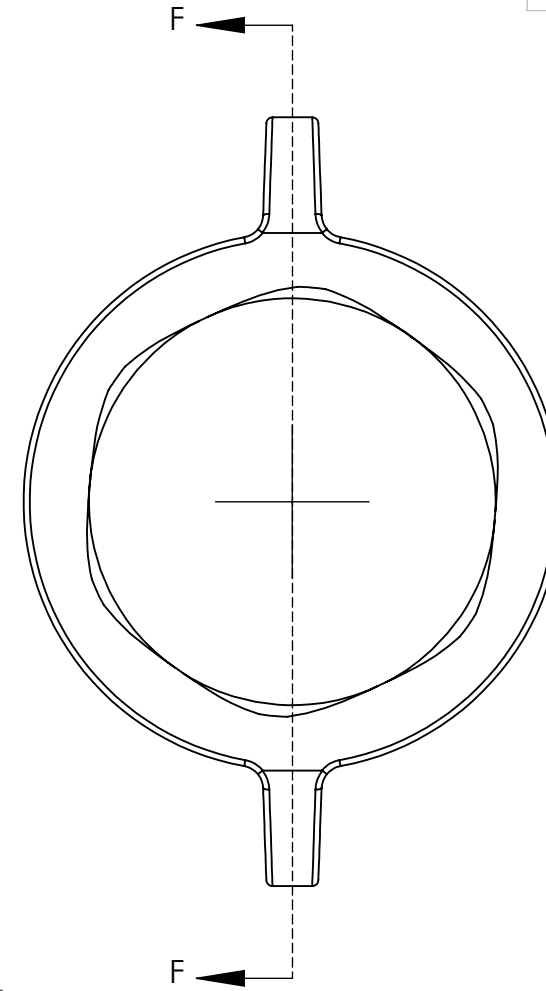
<b>VISUAL COMMUNICATIONS COMPANY, INC.</b> 190 Bosstick Boulevard, Suite 101 San Marcos, CA 92069 USA Phone (760) 560-1300 Fax (760) 560-1301 email vccsales@vccite.com		
<b>TITLE:</b> 10MM ROUND STANDARD THREADED FRESNEL LENS		
SIZE	DWG. NO.	REV
<b>B</b>	HMC 461 XXX_E	002
SCALE: 4:1		SHEET 3 OF 4

**NOTES:**  
**USE FOR REFERENCE ONLY**

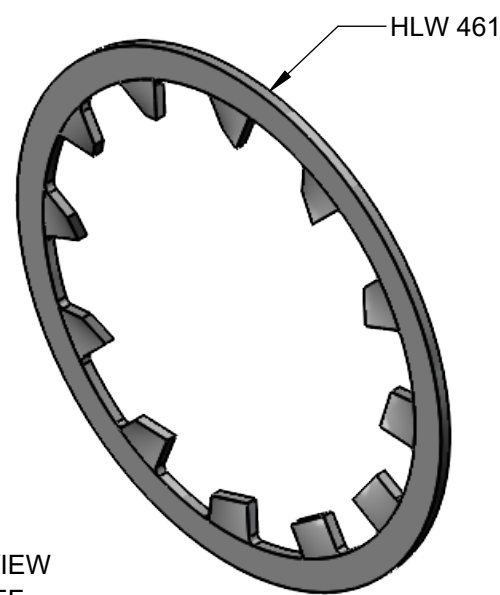
ECN #		REV	REVISIONS	DATE	INITIALS
			DESCRIPTION		
			SEE NOTES		



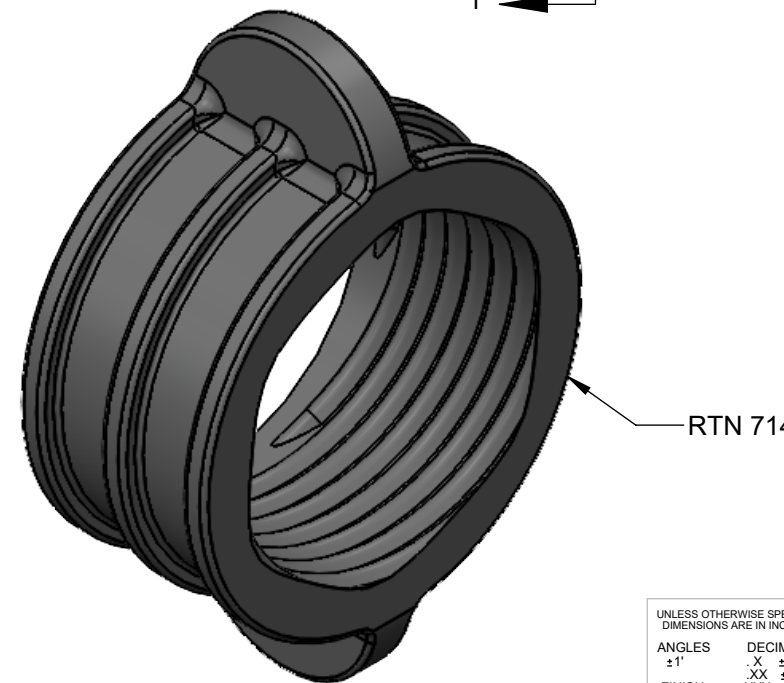
SECTION E-E



SECTION F-F



ISOMETRIC VIEW  
 ONLY FOR REF.



ISOMETRIC VIEW  
 ONLY FOR REF.

UNLESS OTHERWISE SPECIFIED  
 DIMENSIONS ARE IN INCHES:

ANGLES ±1'  
 DECIMALS .X ±.020  
 .XX ±.010  
 .XXX ±.005

FINISH .XXX ±.005

BREAK ALL CORNERS AND SHARP EDGES: 100 MAX



THIRD ANGLE PROJECTION

PROPRIETARY AND CONFIDENTIAL  
 THE INFORMATION CONTAINED IN THIS DRAWING IS THE SOLE PROPERTY OF VISUAL COMMUNICATIONS COMPANY, INC. ANY REPRODUCTION IN PART OR AS A WHOLE WITHOUT THE WRITTEN PERMISSION OF VISUAL COMMUNICATIONS COMPANY, INC IS PROHIBITED.

MATERIAL  
 SEE NOTES

FINISH  
 SEE NOTES

APPROVAL	DATE
DRAWN K.Howard	7/7/10
CHECKED DPZ	7/7/10

**VISUAL COMMUNICATIONS COMPANY, INC.**  
 190 Bosstick Boulevard, Suite 101 San Marcos, CA 92069 USA  
 Phone (760) 560-1300 Fax (760) 560-1301 email vccsales@vccilite.com

TITLE:  
**10mm LOCKWASHER  
 W/ RETAINING RING NUT**

SIZE <b>B</b>	DWG. NO. <b>HMC 461 XXX_E</b>	REV <b>002</b>
SCALE: 4:1		SHEET 4 OF 4

DO NOT SCALE DRAWING

# Mouser Electronics

Authorized Distributor

Click to View Pricing, Inventory, Delivery & Lifecycle Information:

VCC:

[HMC\\_461\\_ATP](#) [HMC\\_461\\_BTP](#) [HMC\\_461\\_CTP](#) [HMC\\_461\\_GTP](#) [HMC\\_461\\_RTP](#) [HMC\\_461\\_YTP](#)