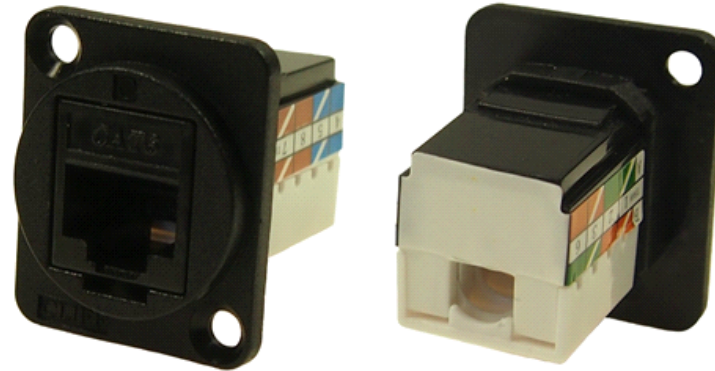
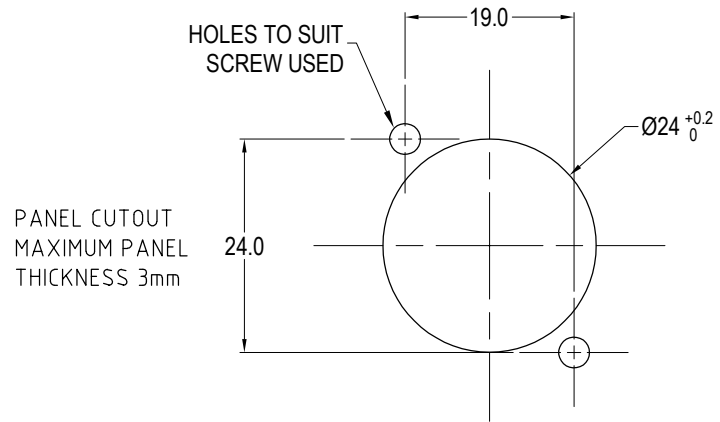
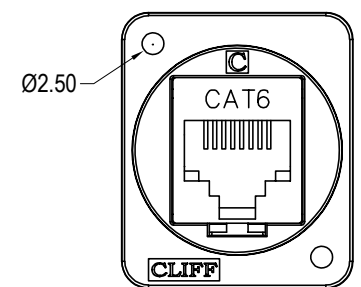
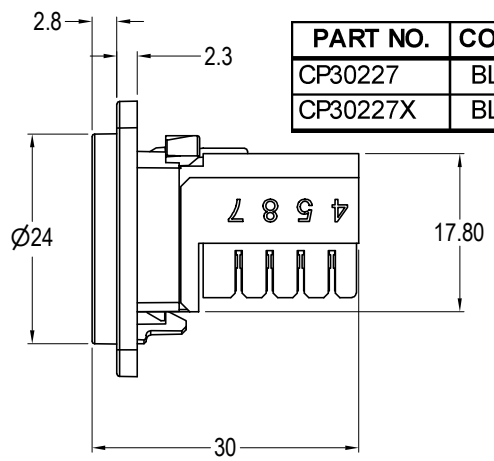
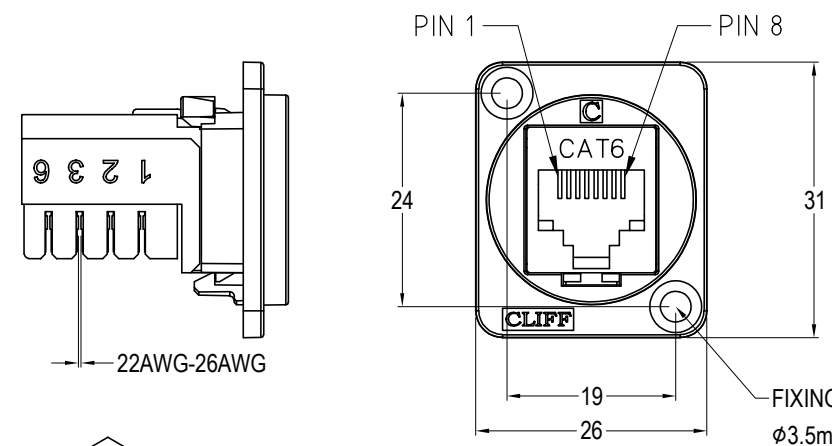


ISS.	AMEND	DATE
1	ISSUED	20/04/20
2	ADD 22AWG-26AWG	14/10/21



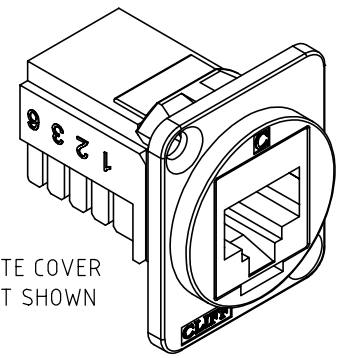
PART NO.	COLOUR	FIXING HOLE DETAILS
CP30227	BLACK	HOLE Ø3.5 x CSK 82° x Ø5.85
CP30227X	BLACK	PLAIN HOLE Ø2.50



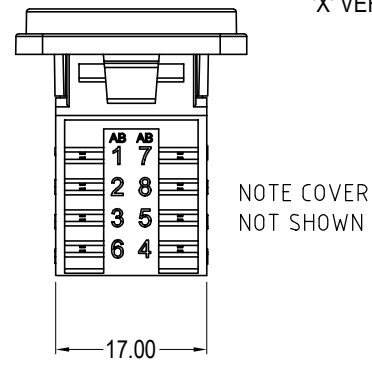
FIXING HOLE VARIANTS:  
 Ø3.5mm CSK 82° x Ø5.85  
 'X' VERSION HAS Ø2.5 PLAIN HOLES.

- Material:
1. RJ45 / IDC / Cover : PC
  2. RJ45: Phosphor Bronze, gold plated
  3. IDC: Phosphor Bronze, nickel plated
  4. PCB: FR4
  5. Frame: Polyamide UL94V-2

- Performance:
1. T568A + T568B wiring.



NOTE COVER NOT SHOWN



NOTE COVER NOT SHOWN

**RoHS**  
 COMPLIANT

TOLERANCE  
 NO DEC. PLACE ±  
 1 DEC. PLACE ±  
 2 DEC. PLACE ±  
 HOLE Ø ±  
 ANGLES ±  
 UNLESS OTHERWISE STATED

**Cliff Electronic Components Ltd.**  
 76 Holmethorpe Avenue, Holmethorpe Industrial Estate,  
 Redhill, Surrey, RH1 2PF, England, UK  
 Tel: 01737-771375 Fax: 01737-766012 Website: www.cliffuk.co.uk

DIMENSIONS IN MILLIMETERS UNLESS OTHERWISE STATED. WORK TO DIMENSIONS. REMOVE ALL BURRS. IF IN DOUBT ASK.

3rd ANGLE PROJECTION:

DO NOT SCALE

MATERIAL: SEE NOTES + TABLE

TITLE: FT CAT6 IDC

FINISH: SEE NOTES + TABLE

DRWG. No. CP30227

THE CONTENTS OF THIS DOCUMENT MUST NOT BE COPIED OR DISCLOSED TO A 3rd PARTY WITHOUT WRITTEN PERMISSION OF CLIFF UK. © 2020

DRAWN: T.J.O.

APPROVED: D.P.J.

FORM: A4DRWGH