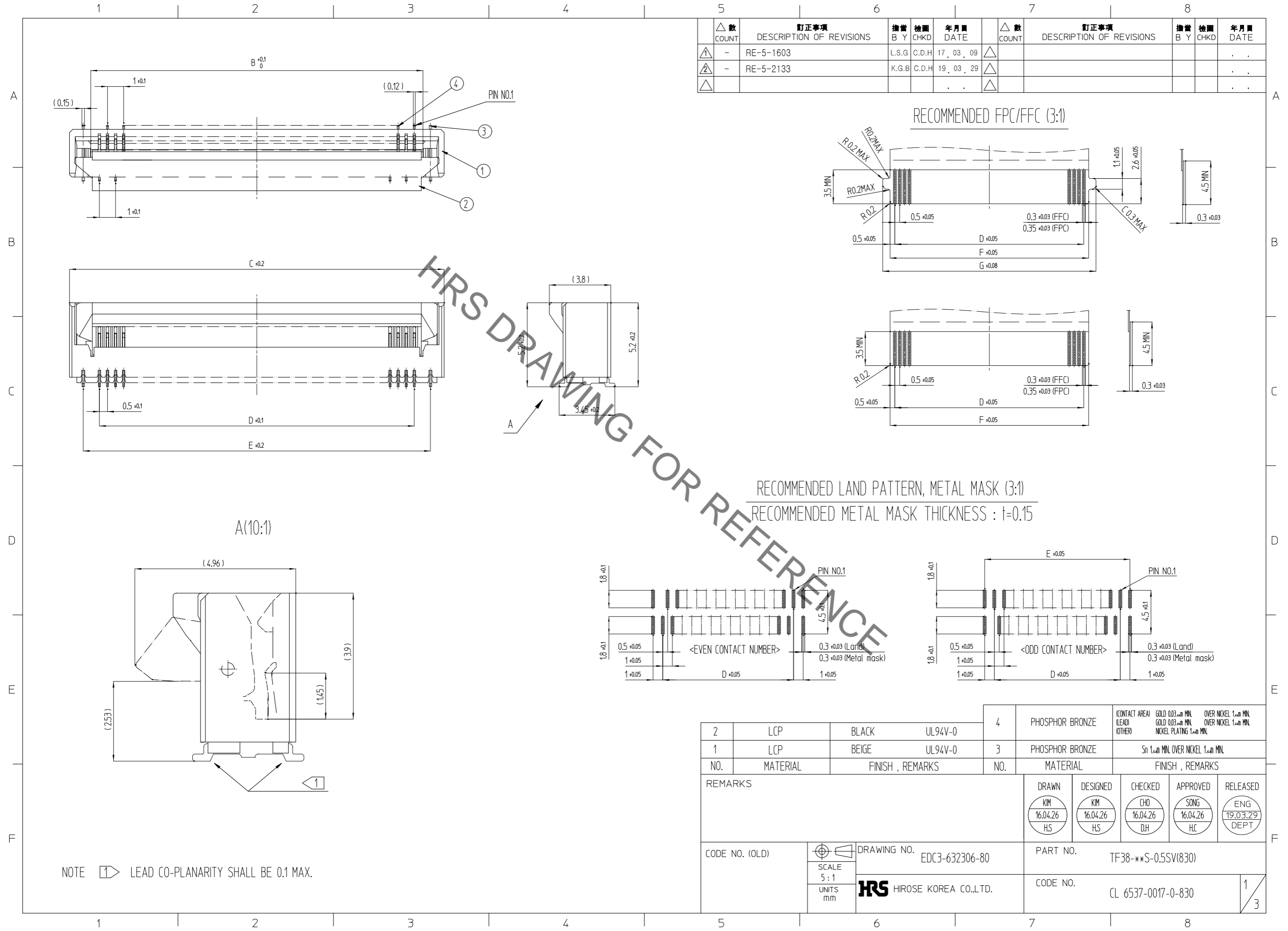
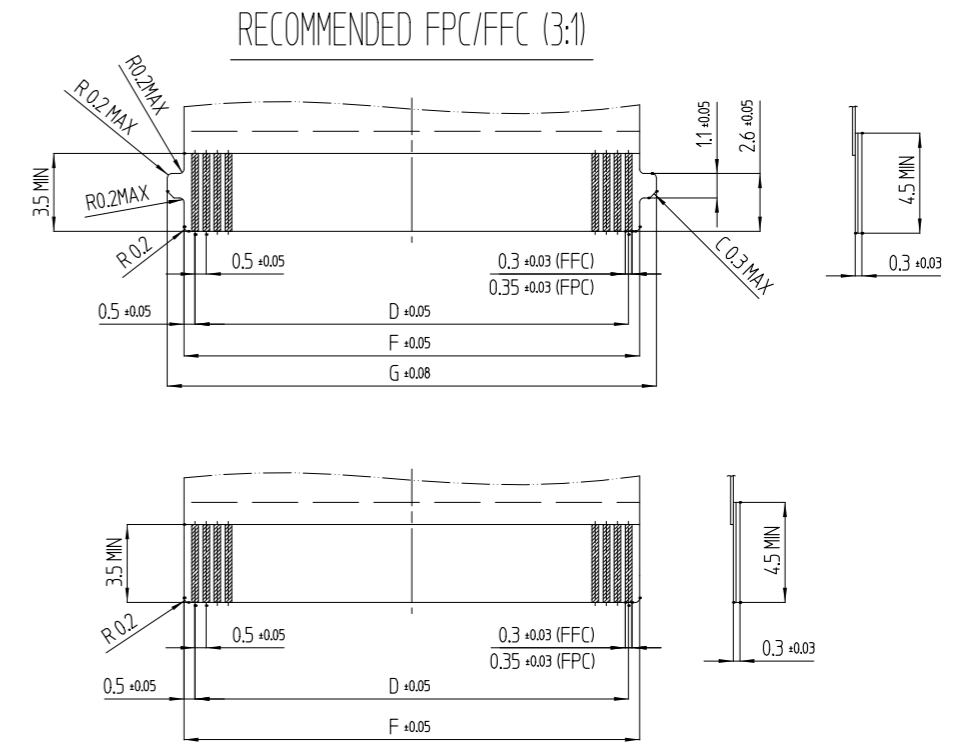


May.1.2021 Copyright 2021 HIROSE ELECTRIC CO., LTD. All Rights Reserved.
In case of consideration for using Automotive equipment / device which demand high reliability, kindly contact our sales window correspondents.



| △ 數 COUNT | 訂正事項 DESCRIPTION OF REVISIONS | 描番 B Y | 檢圖 CHKD | 年月日 DATE | △ 數 COUNT | 訂正事項 DESCRIPTION OF REVISIONS | 描番 B Y | 檢圖 CHKD | 年月日 DATE |
|--------------|----------------------------------|-----------|------------|-------------|--------------|----------------------------------|-----------|------------|-------------|
| △ | - RE-5-1603 | L.S.G | C.D.H | 17. 03. 09 | △ | | | | |
| △ | - RE-5-2133 | K.G.B | C.D.H | 19. 03. 29 | △ | | | | |
| △ | | | | | △ | | | | |



| NO. | MATERIAL | FINISH , REMARKS | NO. | MATERIAL | FINISH , REMARKS |
|-----|----------|------------------|-----|-----------------|---|
| 2 | LCP | BLACK UL94V-0 | 4 | PHOSPHOR BRONZE | (CONTACT AREA) GOLD 0.03mm MIN. OVER NICKEL 1.0mm MIN. (LEAD) GOLD 0.03mm MIN. OVER NICKEL 1.0mm MIN. (OTHER) NICKEL PLATING 1.0mm MIN. |
| 1 | LCP | BEIGE UL94V-0 | 3 | PHOSPHOR BRONZE | Sn 1.0mm MIN. OVER NICKEL 1.0mm MIN. |

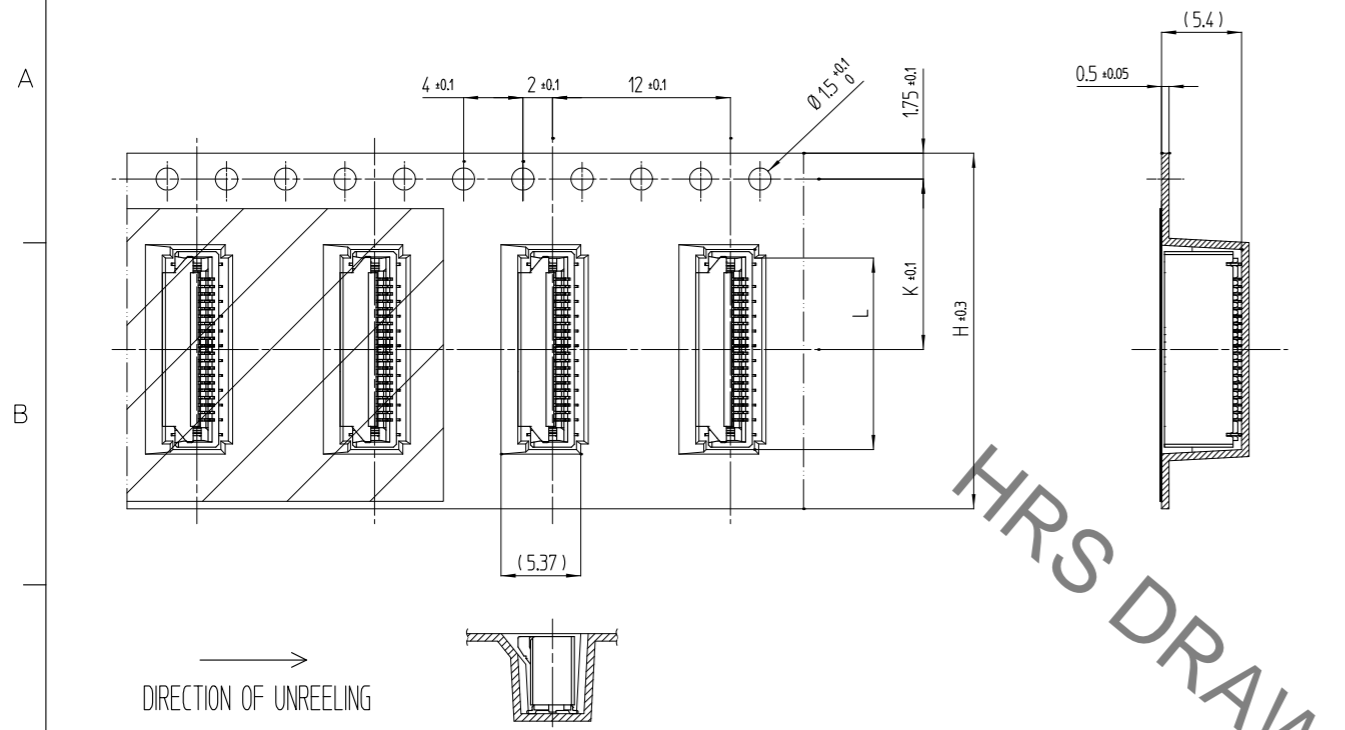
| REMARKS | DRAWN | DESIGNED | CHECKED | APPROVED | RELEASED |
|---------|-----------------------|-----------------------|-----------------------|------------------------|-------------------------|
| | KIM 16.04.26 HS | KIM 16.04.26 HS | CHO 16.04.26 DH | SONG 16.04.26 HC | ENG 19.03.29 DEPT |

| | | |
|-----------------------|----------------------------|------------------------------|
| CODE NO. (OLD) | DRAWING NO. EDC3-632306-80 | PART NO. TF38-**S-0.5SV(830) |
| SCALE 5:1 UNITS mm | HRS HIROSE KOREA CO.,LTD. | CODE NO. CL 6537-0017-0-830 |

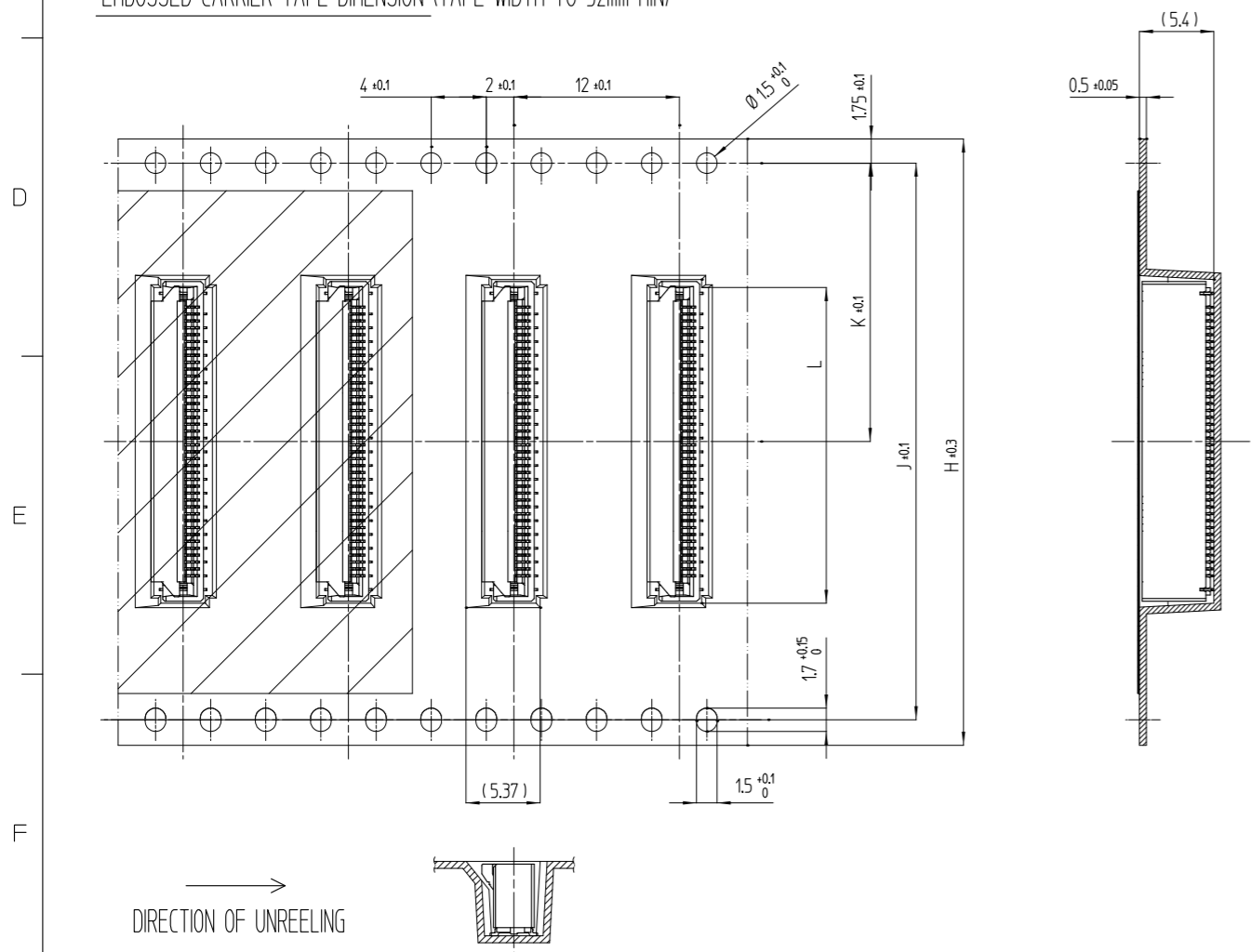
HRS DRAWING FOR REFERENCE

May.1.2021 Copyright 2021 HIROSE ELECTRIC CO., LTD. All Rights Reserved.
In case of consideration for using Automotive equipment / device which demand high reliability, kindly contact our sales window correspondents.

EMBOSSED CARRIER TAPE DIMENSION (TAPE WIDTH TO 24mm MAX)

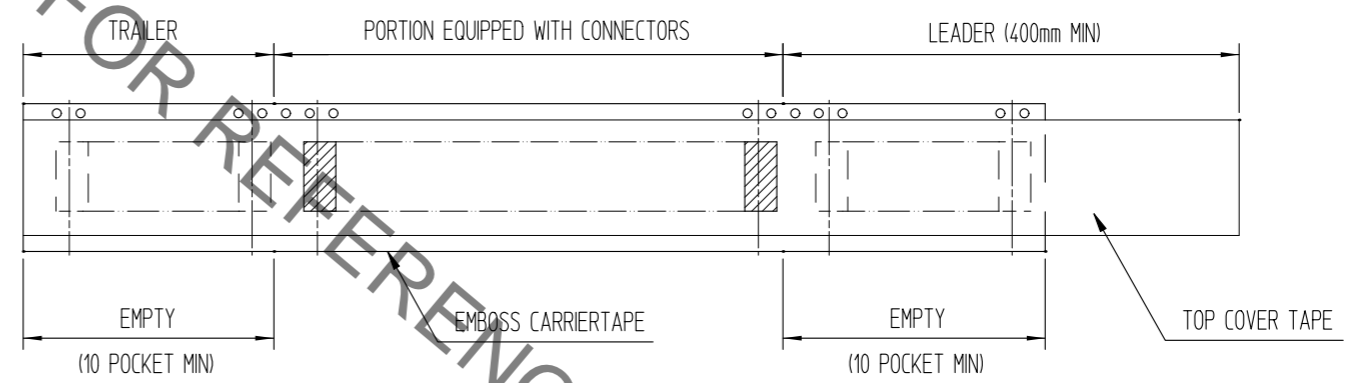
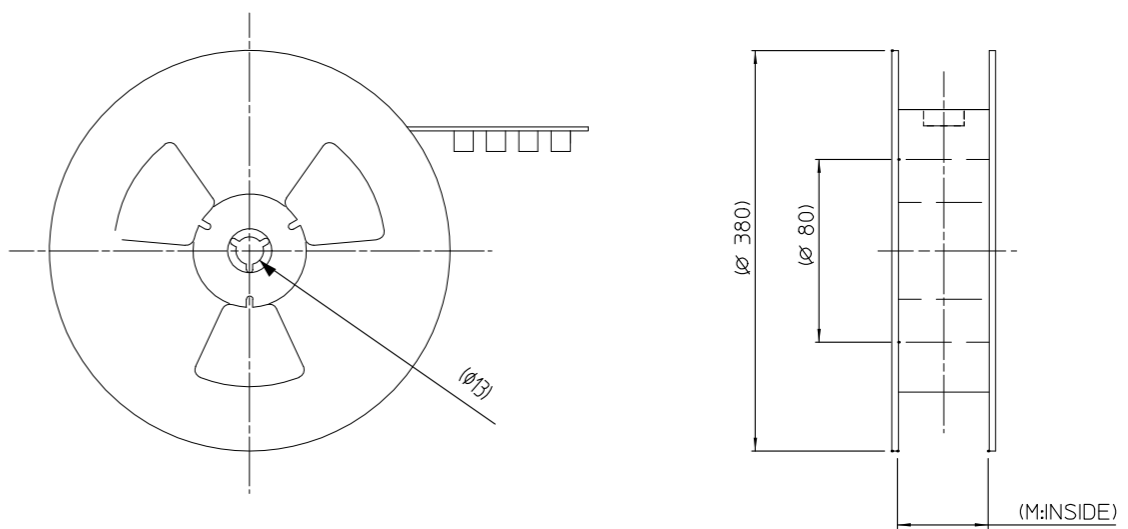


EMBOSSED CARRIER TAPE DIMENSION (TAPE WIDTH TO 32mm MIN)



| △ 数 COUNT | 訂正事項 DESCRIPTION OF REVISIONS | 描番 B Y | 検圖 CHKD | 年月日 DATE | △ 数 COUNT | 訂正事項 DESCRIPTION OF REVISIONS | 描番 B Y | 検圖 CHKD | 年月日 DATE |
|--------------|----------------------------------|-----------|------------|-------------|--------------|----------------------------------|-----------|------------|-------------|
| △ | - RE-5-1603 | L.S.G | C.D.H | 17. 03. 09 | △ | | | | |
| △ | - RE-5-2133 | K.G.B | C.D.H | 19. 03. 29 | △ | | | | |
| △ | | | | | △ | | | | |

REEL DIMENSION (FREE)



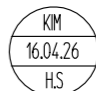

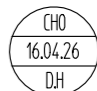


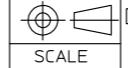
NOTE 2 PER REEL : 1000 CONNECTORS.

| NO. | MATERIAL | FINISH , REMARKS | NO. | MATERIAL | FINISH , REMARKS | | |
|----------------|----------------------------|---------------------------|------------------------------|-----------------------------|-----------------------|------------------------|-------------------------|
| REMARKS | | | DRAWN | DESIGNED | CHECKED | APPROVED | RELEASED |
| | | | KIM 16.04.26 HS | KIM 16.04.26 HS | CHO 16.04.26 DH | SONG 16.04.26 HC | ENG 19.03.29 DEPT |
| CODE NO. (OLD) | DRAWING NO. EDC3-632306-80 | | PART NO. TF38-**S-0.5SV(830) | | | | |
| | SCALE 2:1 | HRS HIROSE KOREA CO.,LTD. | | CODE NO. CL 6537-0017-0-830 | | | 2/3 |
| | UNITS mm | | | | | | |

May.1.2021 Copyright 2021 HIROSE ELECTRIC CO., LTD. All Rights Reserved.
In case of consideration for using Automotive equipment / device which demand high reliability, kindly contact our sales window correspondents.

| △ 數 COUNT | 訂正事項 DESCRIPTION OF REVISIONS | 擔當 B Y | 檢圖 CHKD | 年月日 DATE | △ 數 COUNT | 訂正事項 DESCRIPTION OF REVISIONS | 擔當 B Y | 檢圖 CHKD | 年月日 DATE |
|--------------|----------------------------------|-----------|------------|-------------|--------------|----------------------------------|-----------|------------|-------------|
| △ - | RE-5-1603 | L.S.G | C.D.H | 17. 03. 09 | △ | | | | |
| △ 1 | RE-5-2133 | K.G.B | C.D.H | 19. 03. 29 | △ | | | | |
| △ | | | | | △ | | | | |

| PART NUMBER | NUMBER OF CONTACTS | DIMENSION OF CONNECTOR, FPC/FFC, PCB PATTERN | | | | | | DIMENSION OF PACKING | | | | |
|---------------------|--------------------|--|------|------|------|------|------|----------------------|------|------|------|------|
| | | B | C | D | E | F | G | H | J | K | L | M |
| TF38-16S-0.5SV(830) | 16 | 8.57 | 11.2 | 7.5 | 9.5 | 8.5 | 10 | 24 | - | 11.5 | 11.5 | 24.5 |
| TF38-18S-0.5SV(830) | 18 | 9.57 | 12.2 | 8.5 | 10.5 | 9.5 | 11 | 24 | - | 11.5 | 12.5 | 24.5 |
| TF38-20S-0.5SV(830) | 20 | 10.57 | 13.2 | 9.5 | 11.5 | 10.5 | 12 | 24 | - | 11.5 | 13.5 | 24.5 |
| TF38-22S-0.5SV(830) | 22 | 11.57 | 14.2 | 10.5 | 12.5 | 11.5 | 13 | 24 | - | 11.5 | 14.5 | 24.5 |
| TF38-24S-0.5SV(830) | 24 | 12.57 | 15.2 | 11.5 | 13.5 | 12.5 | 14 | 24 | - | 11.5 | 15.5 | 24.5 |
| TF38-26S-0.5SV(830) | 26 | 13.57 | 16.2 | 12.5 | 14.5 | 13.5 | 15 | 32 | 28.4 | 14.2 | 16.5 | 32.5 |
| TF38-30S-0.5SV(830) | 30 | 15.57 | 18.2 | 14.5 | 16.5 | 15.5 | 17 | 32 | 28.4 | 14.2 | 18.5 | 32.5 |
| TF38-32S-0.5SV(830) | 32 | 16.57 | 19.2 | 15.5 | 17.5 | 16.5 | 18 | 44 | 40.4 | 20.2 | 19.5 | 44.5 |
| TF38-36S-0.5SV(830) | 36 | 18.57 | 21.2 | 17.5 | 19.5 | 18.5 | 20 | 44 | 40.4 | 20.2 | 21.5 | 44.5 |
| TF38-38S-0.5SV(830) | 38 | 19.57 | 22.2 | 18.5 | 20.5 | 19.5 | 21 | 44 | 40.4 | 20.2 | 22.5 | 44.5 |
| TF38-40S-0.5SV(830) | 40 | 20.57 | 23.2 | 19.5 | 21.5 | 20.5 | 22 | 44 | 40.4 | 20.2 | 23.5 | 44.5 |
| TF38-45S-0.5SV(830) | 45 | 23.07 | 25.7 | 22 | 24 | 23 | 24.5 | 44 | 40.4 | 20.2 | 26 | 44.5 |
| TF38-50S-0.5SV(830) | 50 | 25.57 | 28.2 | 24.5 | 26.5 | 25.5 | 27 | 44 | 40.4 | 20.2 | 28.5 | 44.5 |
| TF38-60S-0.5SV(830) | 60 | 30.57 | 33.2 | 29.5 | 31.5 | 30.5 | 32 | 56 | 52.4 | 26.2 | 33.5 | 56.5 |

| NO. | MATERIAL | FINISH, REMARKS | NO. | MATERIAL | FINISH, REMARKS | | |
|----------------|--|---|--|---|--|---|---|
| REMARKS | | | | | | | |
| | | | DRAWN  16.04.26 HS | DESIGNED  16.04.26 HS | CHECKED  16.04.26 DH | APPROVED  16.04.26 HC | RELEASED  19.03.29 DEPT |
| CODE NO. (OLD) |  SCALE 1:1 UNITS mm | DRAWING NO. EDC3-632306-80 HRS HIROSE KOREA CO.,LTD. | PART NO. TF38-**S-0.5SV(830) | | CODE NO. CL 6537-0017-0-830 | | |
| | | | | | 3 3 | | |

Mouser Electronics

Authorized Distributor

Click to View Pricing, Inventory, Delivery & Lifecycle Information:

[Hirose Electric:](#)

[TF38-32S-0.5SV\(830\)](#)