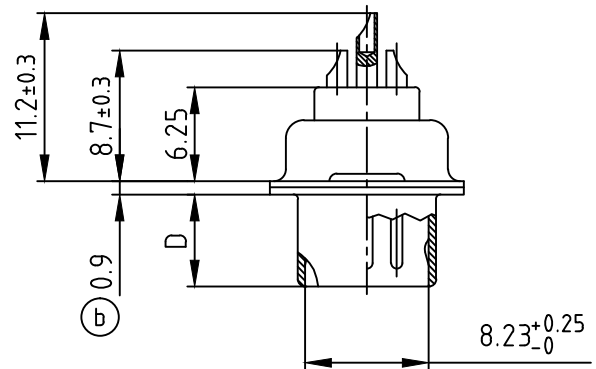
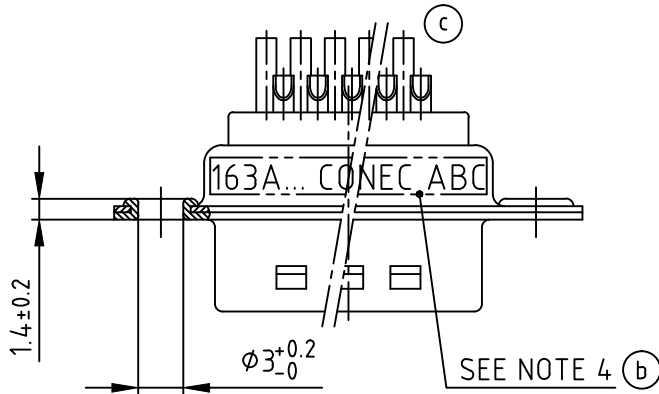
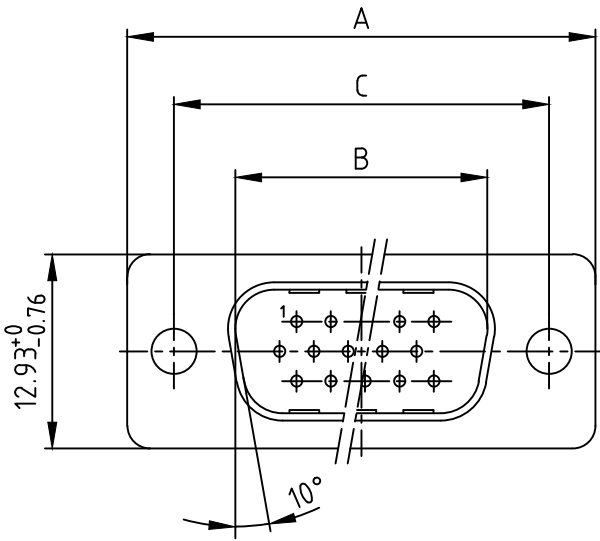


used for: D-SUB HD

Part-NO.	POS.	A <sup>-0.76</sup>	B <sup>+0.25</sup>	C	D <sup>-0.3</sup>
163A16599X	15	31.19	16.79	25.00 <sup>+0.12</sup> <sub>-0.13</sub>	6.12
163A16609X	26	39.52	25.12	33.30 <sup>+0.15</sup> <sub>-0.1</sub>	6.12
163A16619X	44	53.42	38.84	47.04 ±0.13	5.99
163A16629X	62	69.70	55.30	63.50 ±0.13	5.99



(c) (b) NOTES:

- METALSHELLS: STEEL; min. 315µin TIN over 40-80µin Nickel
- INSULATORS: PBT GF UL 94 V-0, BLACK
- CONTACTS: COPPER ALLOY  
PLATING: GOLD FLASH over NICKEL  
SOLDER CUP ACCEPTS CABLE AWG 22
- CONNECTOR IS PART MARKED: PART-NO. CONEC ABC

Directive 2002/95/EC RoHS compliant

THIS DRAWING MAY NOT BE COPIED OR  
 REPRODUCED IN ANY WAY, AND MAY NOT  
 BE PASSED ON TO A THIRD PARTY WITHOUT  
 WRITTEN PERMISSION.  
 OWNERSHIP AND COPYRIGHT OF CONEC GmbH  
 DO NOT ALTER CAD DRAWING BY HAND

CONEC CORPORATION BRAMPTON, ONTARIO			tolerance			scale: 2:1
						material: SEE NOTES
			2000	date	name	title: D-SUB HD MALE 15-62pos. SOLDER CUP
			drawn	03.07.	A. Mickenbecker	
			appd.	03.07.	E. Mickenbecker	
			norm			
			d-old			dwg no: AutoCAD 2000 16K1A019A
2 x c	Ä3179	06.11.2008	Sonne			
3 x b	Ä 2226	10.05.2005	Lehmen			DIN-A 4
rev.	description	date	name			sh: 1/1

part no: SEE TABLE	
--------------------	--

# Mouser Electronics

Authorized Distributor

Click to View Pricing, Inventory, Delivery & Lifecycle Information:

[CONEC:](#)

[163A16599X](#) [163A16609X](#) [163A16619X](#) [163A16629X](#)