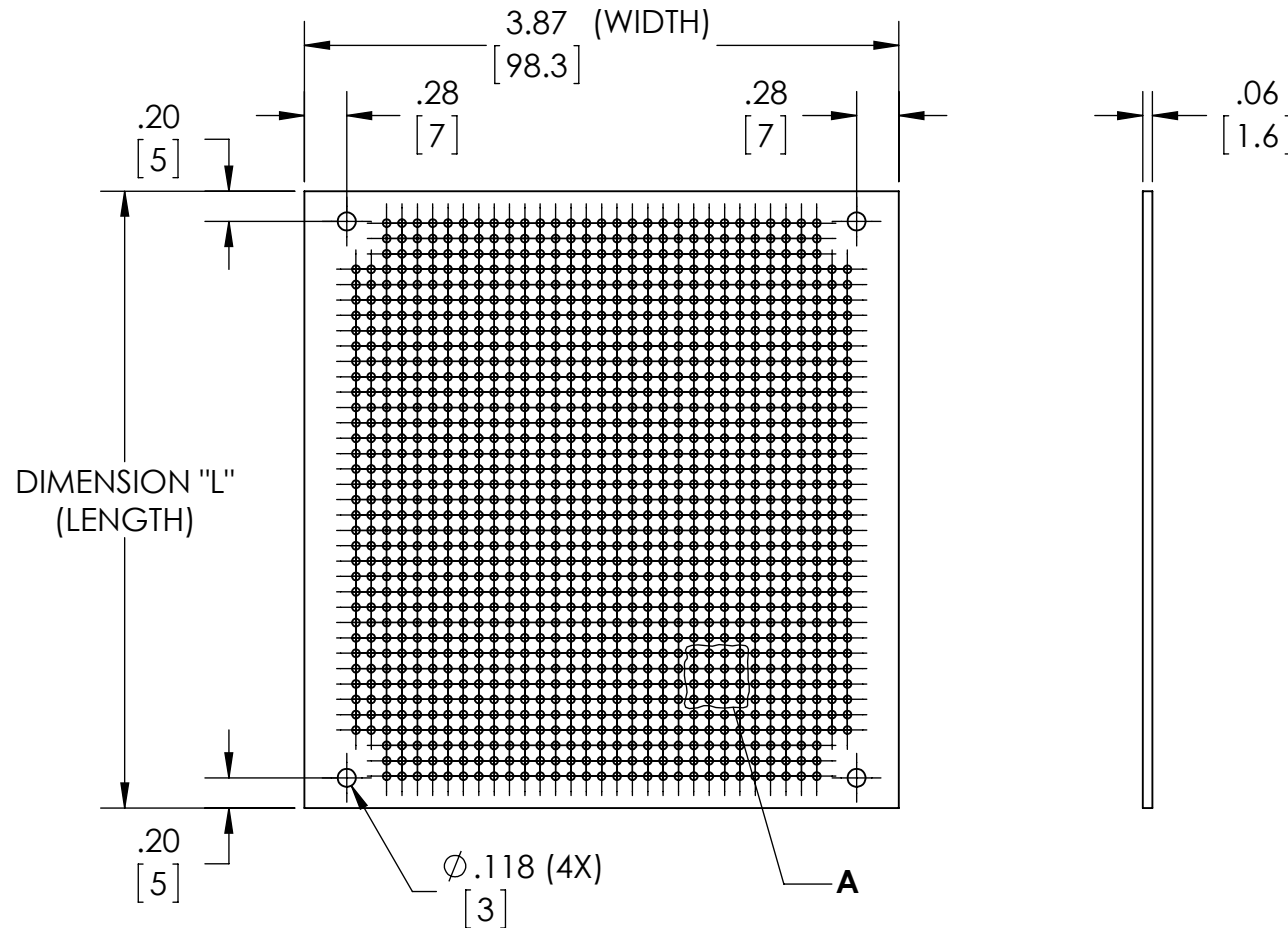


PART
NAME

PRINTED CIRCUIT BOARD

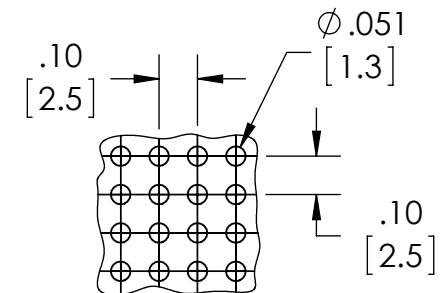
PART
No.EXN-23403-PCB EXN-23404-PCB
EXN-23405-PCBREV.
DATE

10-13-15

DRAWING FOR REFERENCEWE RESERVE THE RIGHT TO MAKE CHANGES TO OUR
STANDARD PRODUCTS. PLEASE CONSULT WITH BUD INDUSTRIES
PRIOR TO USING THIS DRAWING FOR DESIGN PURPOSE.

MATERIAL: GREEN SILICON

DIMENSIONS IN INCH[MM]



CIRCUIT BOARD PART NUMBER	DIMENSION "L" CIRCUIT BOARD LENGTH	FITS EXN-SERIES ENCLOSURES WITH ALUMINUM END PANELS:	FITS EXN-SERIES ENCLOSURES WITH PLASTIC END PANELS:
EXN-23403-PCB	2.05 [52]	EXN-23353-GD, -SV, -RD, -BL, -BK EXN-23356-GD, -SV, -RD, -BL, -BK	EXN-23353-GDP, -SVP, -RDP, -BLP, -BKP EXN-23356-GDP, -SVP, -RDP, -BLP, -BKP
EXN-23404-PCB	4.02 [102]	EXN-23354-GD, -SV, -RD, -BL, -BK EXN-23357-GD, -SV, -RD, -BL, -BK	EXN-23354-GDP, -SVP, -RDP, -BLP, -BKP EXN-23357-GDP, -SVP, -RDP, -BLP, -BKP
EXN-23405-PCB	5.98 [152]	EXN-23355-GD, -SV, -RD, -BL, -BK EXN-23358-GD, -SV, -RD, -BL, -BK	EXN-23355-GDP, -SVP, -RDP, -BLP, -BKP EXN-23358-GDP, -SVP, -RDP, -BLP, -BKP

Mouser Electronics

Authorized Distributor

Click to View Pricing, Inventory, Delivery & Lifecycle Information:

[Bud Industries:](#)

[EXN-23405-PCB](#) [EXN-23403-PCB](#) [EXN-23404-PCB](#)