

Series EM2218

Header with Flanges; (Mates with EM2118, EM3118 Series); 5.08 Centers

SPECIFICATIONS:

Rating: 12A, 300V

Center Spacing: 0.20" (5.08mm)

Housing Material: UL rated 94V0 Thermoplastic

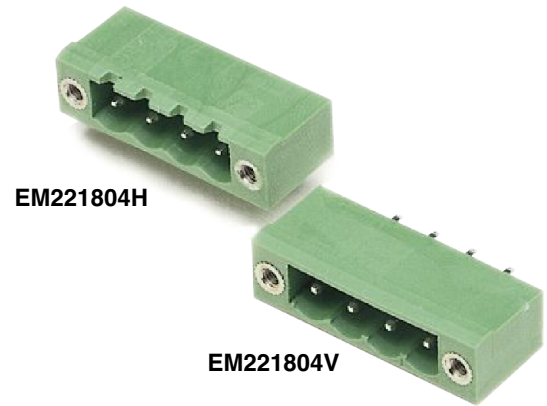
Contact Material: Tin-Plated Brass

Operating Temperature: 105°C (221°F) max., -55°C (-67°F) min.

Recommended PCB Hole Diameters: 0.059" (1.50mm)

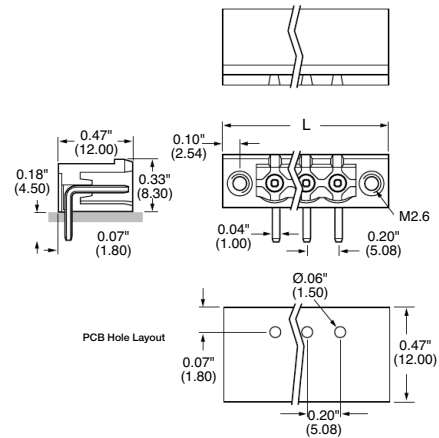
Construction: Mold-to-Length

Agency Information: File E62622; CE Certified

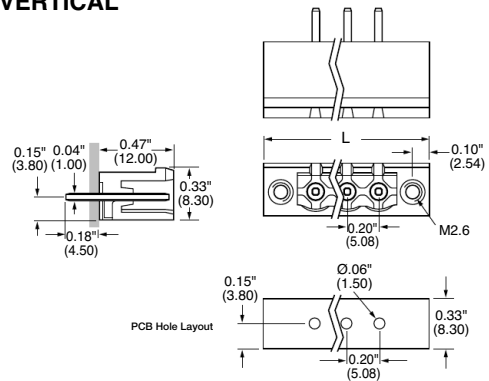


Dimensions - in (mm)

HORIZONTAL



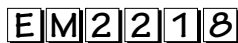
VERTICAL



Poles	L (mm)	L (Inch)	Poles	L (mm)	L (Inch)
2	20.32	0.8	12	71.12	2.8
3	25.40	1.0	13	76.20	3.0
4	30.48	1.2	14	81.28	3.2
5	35.56	1.4	15	86.36	3.4
6	40.64	1.6	16	91.44	3.6
7	45.72	1.8	17	96.52	3.8
8	50.80	2.0	18	101.60	4.0
9	55.88	2.2	19	106.68	4.2
10	60.95	2.4	20	111.76	4.4
11	66.04	2.6			

Part Numbering System

Series



of Poles



02 to 22

Orientation



H - Horizontal
V - Vertical

Inches (Millimeters)

Mating Plugs: EM2118 pg. 96
EM3118 pg. 97

Terminal Blocks:
Single Row

EuroMag Series
Plug & Header

Edge Connectors,
One-Sided Boards

Compliance
References

Mouser Electronics

Authorized Distributor

Click to View Pricing, Inventory, Delivery & Lifecycle Information:

Eaton:

[EM221802H](#) [EM221803H](#) [EM221803V](#) [EM221804H](#) [EM221804V](#) [EM221806H](#) [EM221806V](#) [EM221808H](#)
[EM221810H](#) [EM221810V](#) [EM221812H](#) [EM221814V](#) [EM221816H](#) [EM221818H](#) [EM221817H](#) [EM221820H](#)
[EM221815H](#) [EM221819V](#) [EM221811V](#) [EM221809H](#) [EM221809V](#) [EM221807H](#) [EM221802V](#) [EM221807V](#)
[EM221808V](#) [EM221805V](#) [EM221814H](#) [EM221820V](#) [EM221813V](#) [EM221815V](#) [EM221817V](#) [EM221805H](#)
[EM221818V](#) [EM221819H](#) [EM221812V](#) [EM221816V](#) [EM221811H](#) [EM221813H](#)