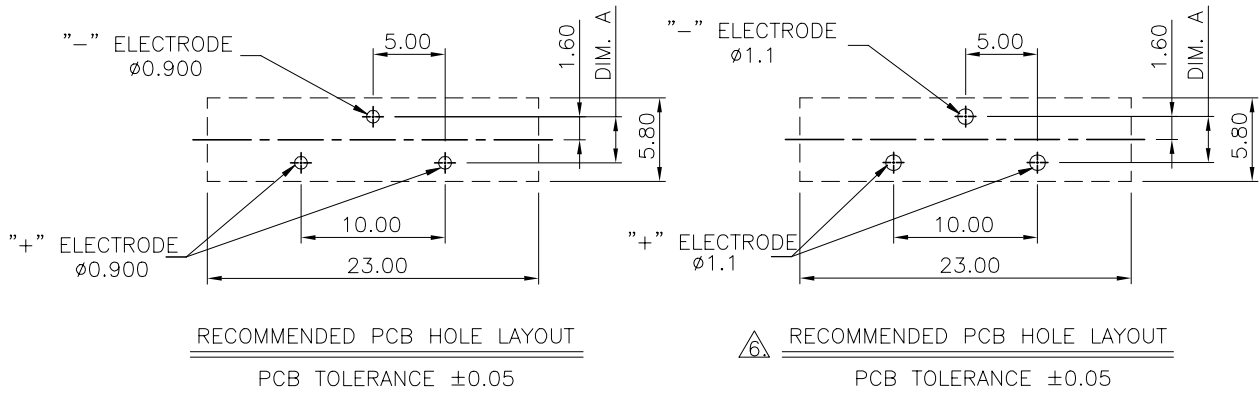
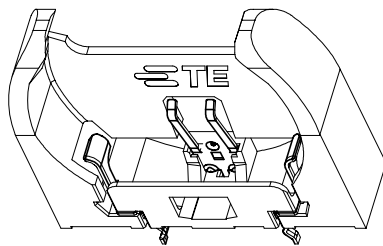
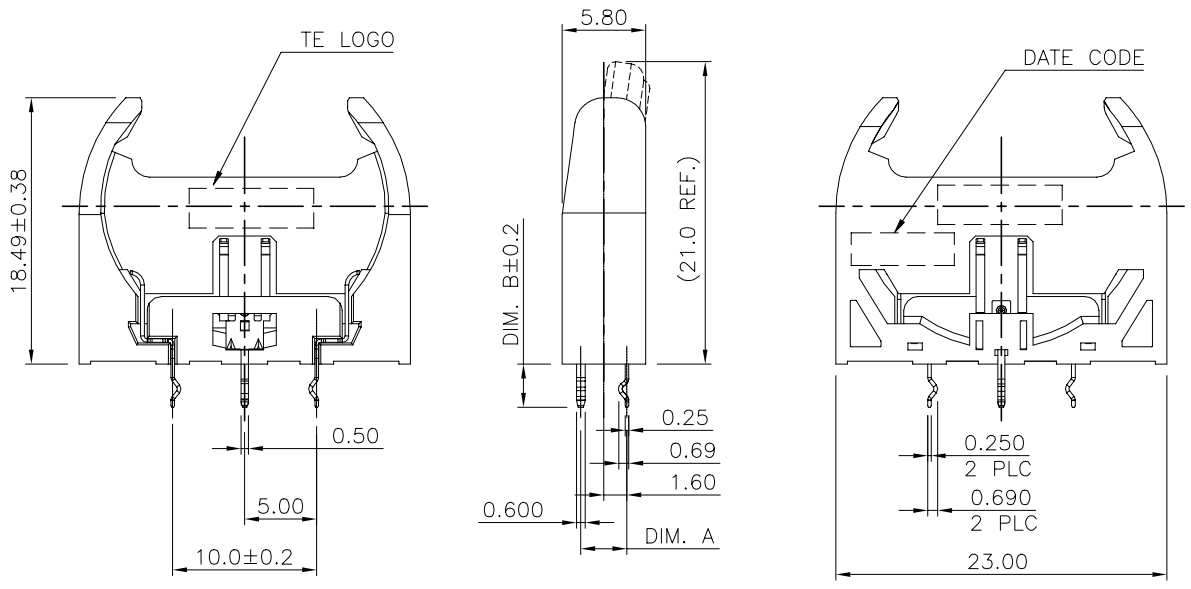


THIS DRAWING IS UNPUBLISHED. RELEASED FOR PUBLICATION AUG ,2006.
 © COPYRIGHT BY TYCO ELECTRONICS CORPORATION. ALL RIGHTS RESERVED.

LOC	DIST	REVISIONS			
P	LTR	DESCRIPTION	DATE	DWN	APVD
	B1	REVISED PER ECO-19-018013	10MAR20	K.G	W.H
	B2	REVISED PER ECO-20-011206	10JUN20	K.G	W.H

- NOTES :
- MATERIAL :
 - HOUSING: MATERIAL AND COLOR: SEE TABLE, UL94 V-0
 - CONTACT: STAINLESS STEEL
 - FINISH : CONTACT
 - 2.1 GOLD FLASH PLATING ON CONTACT AREA, 2.54um [100u"] MIN. MATTE-TIN PLATING ON SOLDERING AREA. 0.76um [30u"] MIN. NICKEL UNDERPLATING OVERALL.
 - 2.2 GOLD PLATING 0.125um [5u"] MIN.ON CONTACT AREA, 2.54um [100u"] MIN. MATTE-TIN PLATING ON SOLDERING AREA. 1.25um [50u"] MIN. NICKEL UNDERPLATING OVERALL.
 - WAVE SOLDER CAPABLE TO 265°C PER TE SPEC. 109-202, CONDITION B.
 - RECOMMENDED PCB THICKNESS: 1.6mm
 - SUITABLE FOR BATTERY NO.: CR2032.
 6. LOW PCB RETENTION FORCE.



2.1	3.0 mm	3.2 mm	PA-66 & BLACK	2-1775485-4
2.2	3.6 mm	3.6 mm	PA-66 & BLACK	1775485-5
2.1				2-1775485-1
2.1	3.0 mm	3.2 mm	PA-66 & 2718C BLUE	1-1775485-2
2.1			PA-66 & BLACK	1-1775485-1
2.1			PA-66 & 2718C BLUE	1775485-2
2.2	3.0 mm	3.6 mm	PA-66 & BLACK	1775485-4
2.1				1775485-1
FINISHED	DIM B	DIM A	HOUSING MATERIAL&COLOR	PART NO.

THIS DRAWING IS A CONTROLLED DOCUMENT.

DWN	S. CHIEN	03JUN2008	TE Connectivity
CHK	S. CHIEN	03JUN2008	
APVD	W. KODAMA	03JUN2008	
NAME			
PRODUCT SPEC	108-57542		BATTERY HOLDER, H=18.5mm, V/T
QUALIFICATION TEST REPORT	501-57624		
WEIGHT	1.19 GRAMS	A3 00779	C=1775485
CUSTOMER DRAWING	SCALE	SHEET	1 OF 4
			REV B2

DIMENSIONS: MM		TOLERANCES UNLESS OTHERWISE SPECIFIED:	
0 PLC	± -	0 PLC	± -
1 PLC	± 0.38	1 PLC	± 0.38
2 PLC	± 0.25	2 PLC	± 0.25
3 PLC	± 0.15	3 PLC	± 0.15
4 PLC	± -	4 PLC	± -
ANGLES	± 2'	ANGLES	± 2'
MATERIAL	SEE NOTE	FINISH	SEE NOTE

THIS DRAWING IS UNPUBLISHED.

RELEASED FOR PUBLICATION

AUG ,2006.

© COPYRIGHT BY TYCO ELECTRONICS CORPORATION.

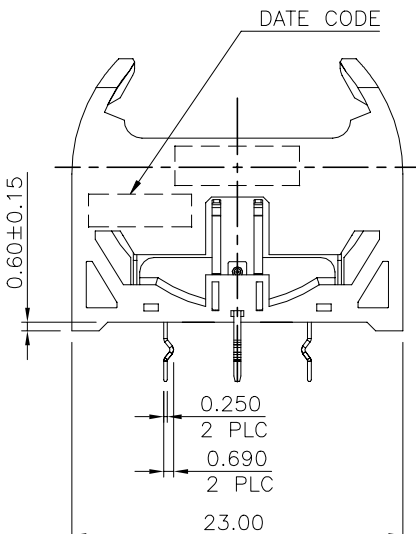
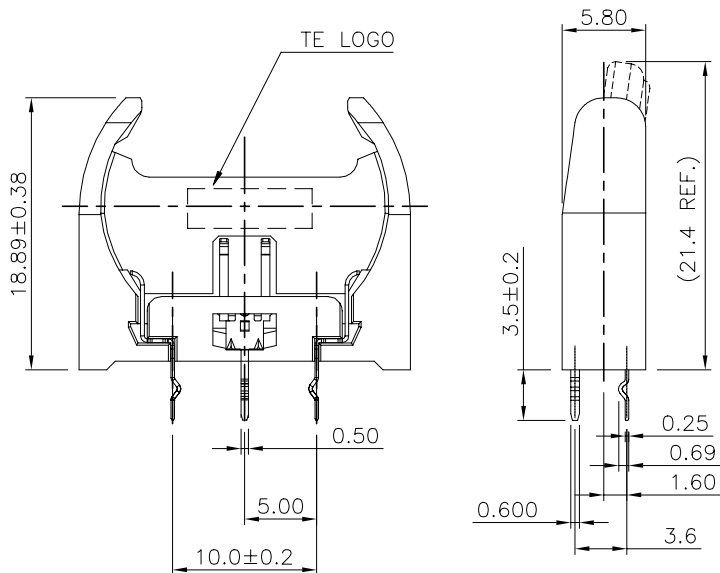
ALL RIGHTS RESERVED.

LOC DW

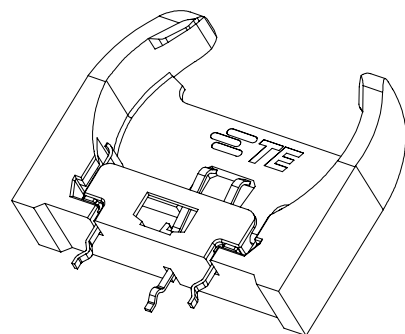
DIST

REVISIONS

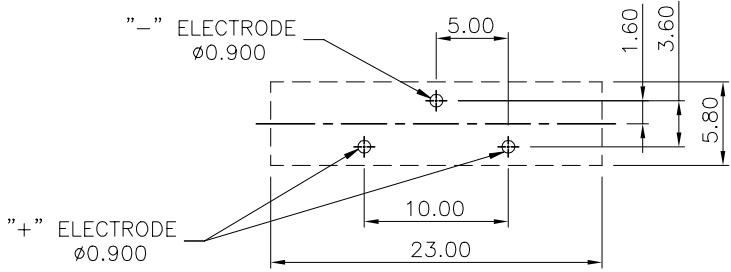
P	LTR	DESCRIPTION	DATE	DWN	APVD
		SEE SHEET 1.			



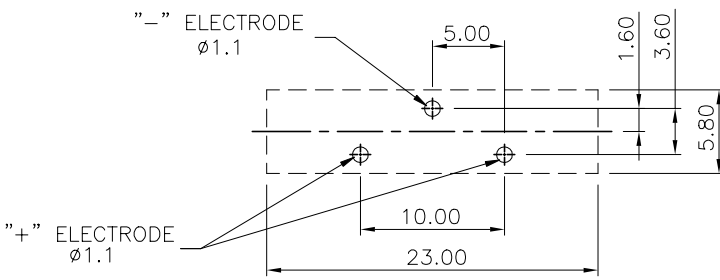
- NOTES :
- MATERIAL :
 - HOUSING: UL94 V-0, PA SERIES COLOR: SEE TABLE
 - CONTACT: STAINLESS STEEL
 - FINISH :
 - CONTACT
 - GOLD FLASH PLATING ON CONTACT AREA, 2.54um [100u"] MIN. MATTE-TIN PLATING ON SOLDERING AREA.
 - 0.76um [30u"] MIN. NICKEL UNDERPLATING OVERALL.
 - WAVE SOLDER CAPABLE TO 265°C PER TE SPEC. 109-202, CONDITION B.
 - RECOMMENDED PCB THICKNESS: 1.6mm
 - SUITABLE FOR BATTERY NO.: CR2032.
- ⚠️ LOW PCB RETENTION FORCE.



PRODUCT AS SHOWN (0.60mm Height Standoff)



RECOMMENDED PCB HOLE LAYOUT
PCB TOLERANCE ±0.05



RECOMMENDED PCB HOLE LAYOUT
PCB TOLERANCE ±0.05

SOFT TRAY	1775485-3
PACKING	PART NO.

THIS DRAWING IS A CONTROLLED DOCUMENT.		DWN S. CHIEN 03JUN2008	STE TE Connectivity	
		CHK S. CHIEN 03JUN2008		
DIMENSIONS: MM		APVD W. KODAMA 03JUN2008	NAME	
TOLERANCES UNLESS OTHERWISE SPECIFIED:		PRODUCT SPEC	BATTERY HOLDER, H=18.9mm V/T	
0 PLC ± -		108-57542		
1 PLC ± 0.38		QUALIFICATION TEST REPORT		
2 PLC ± 0.25		501-57624		
3 PLC ± 0.15		WEIGHT 1.19 GRAMS	SIZE A3	CAGE CODE 00779
4 PLC ANGLES ± 2°		CUSTOMER DRAWING	DRAWING NO. C=1775485	
MATERIAL SEE NOTE		FINISH SEE NOTE		RESTRICTED TO
		SCALE -		SHEET 2 OF 4
				REV B2

THIS DRAWING IS UNPUBLISHED.

RELEASED FOR PUBLICATION

AUG ,2006.

© COPYRIGHT BY TYCO ELECTRONICS CORPORATION.

ALL RIGHTS RESERVED.

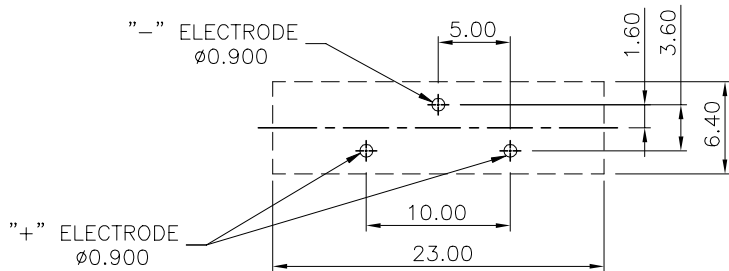
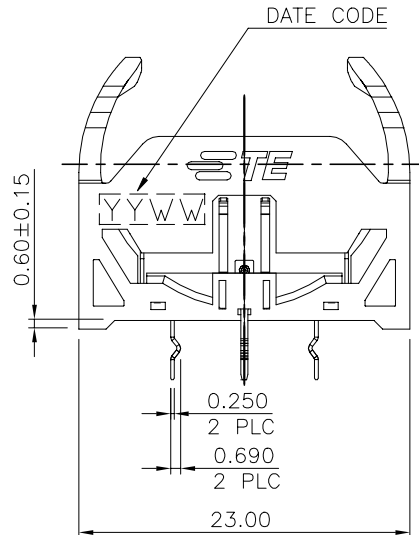
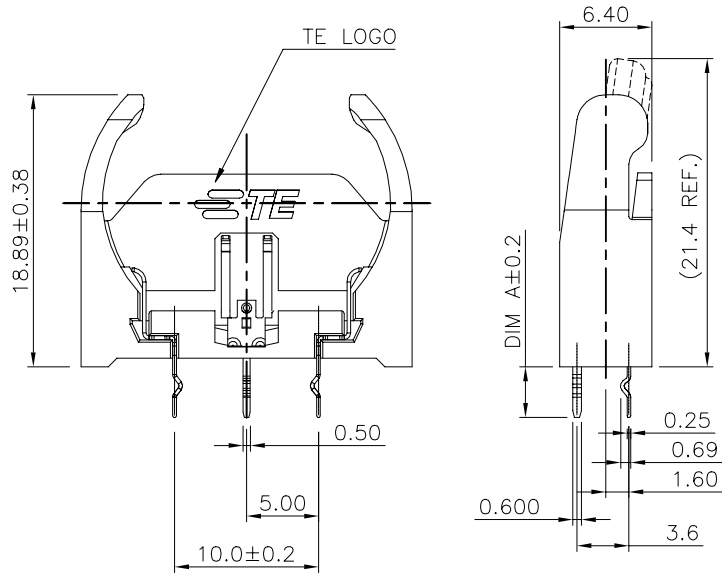
LOC DW DIST

REVISIONS

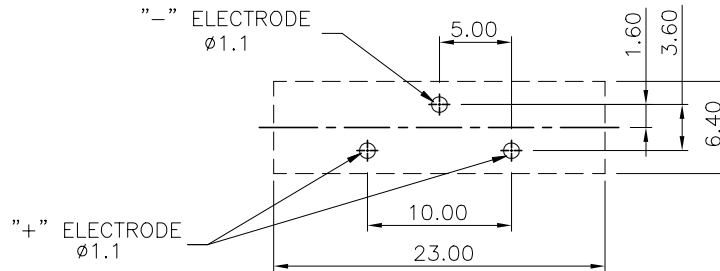
P	LTR	DESCRIPTION	DATE	DWN	APVD
		SEE SHEET 1.			

NOTES :

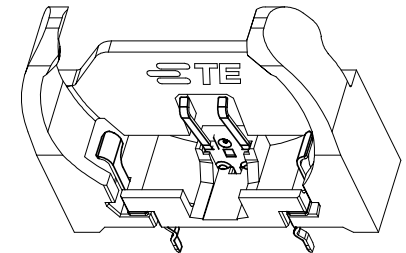
- MATERIAL :
 - HOUSING: UL94 V-0, PA SERIES COLOR: SEE TABLE
 - CONTACT: STAINLESS STEEL
- FINISH :
 - CONTACT
 - GOLD FLASH PLATING ON CONTACT AREA, 2.54um [100u"] MIN. MATTE-TIN PLATING ON SOLDERING AREA. 0.76um [30u"] MIN. NICKEL UNDERPLATING OVERALL.
- WAVE SOLDER CAPABLE TO 265°C PER TE SPEC. 109-202, CONDITION B.
- RECOMMENDED PCB THICKNESS: 1.6mm
- SUITABLE FOR BATTERY NO.: CR2032.
- △ LOW PCB RETENTION FORCE.
- 3-1775485-2 AND 4-1775485-2 ARE PRELIMINARY PART



RECOMMENDED PCB HOLE LAYOUT
PCB TOLERANCE ±0.05



△ RECOMMENDED PCB HOLE LAYOUT
PCB TOLERANCE ±0.05



3.00	PA10T HF & BLACK	3-1775485-2
3.50	PA10T HF&2718C BLUE	2-1775485-2
DIM A	HOUSING COLOR	PART NO.

THIS DRAWING IS A CONTROLLED DOCUMENT.		DWN S. CHIEN 03JUN2008	STE TE Connectivity	
DIMENSIONS: MM		CHK S. CHIEN 03JUN2008		
TOLERANCES UNLESS OTHERWISE SPECIFIED:		APVD W. KODAMA 03JUN2008	NAME	
0 PLC ± -		PRODUCT SPEC	BATTERY HOLDER, H=18.9mm V/T	
1 PLC ± 0.38		108-57542	QUALIFICATION TEST REPORT	
2 PLC ± 0.25		501-57624	WEIGHT 1.19 GRAMS	
3 PLC ± 0.15		CUSTOMER DRAWING	SIZE A3	CAGE CODE 00779
4 PLC ANGLES ± 2°			DRAWING NO C=1775485	RESTRICTED TO
MATERIAL SEE NOTE			SCALE	SHEET 3 OF 4
FINISH SEE NOTE				REV B2

THIS DRAWING IS UNPUBLISHED.

RELEASED FOR PUBLICATION

AUG ,2006.

© COPYRIGHT - BY TYCO ELECTRONICS CORPORATION.

ALL RIGHTS RESERVED.

LOC DW

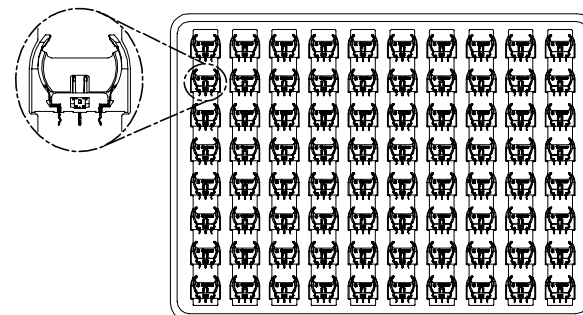
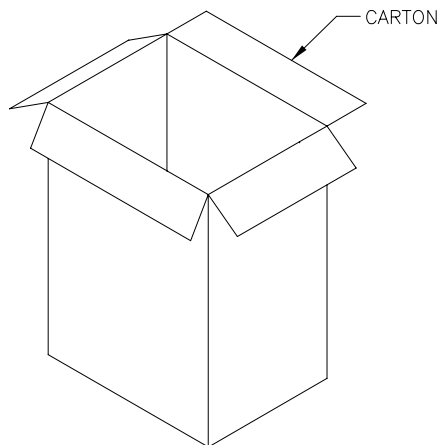
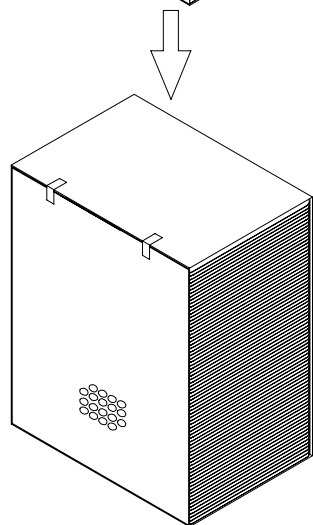
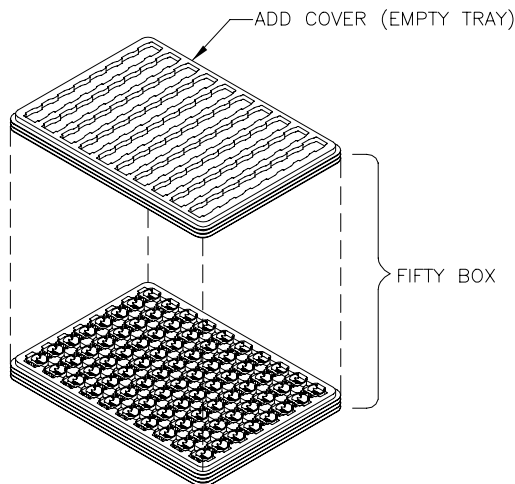
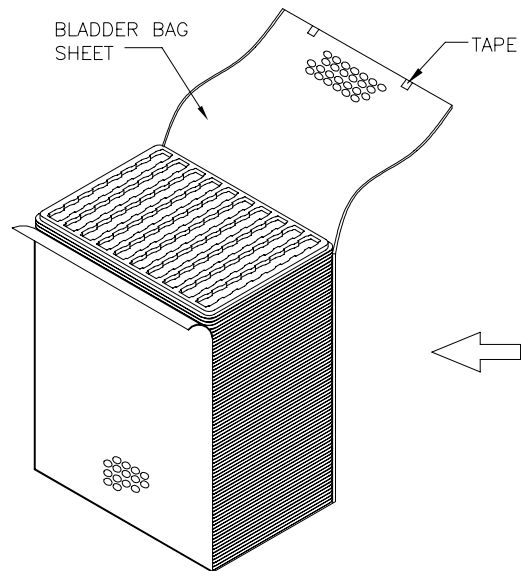
DIST

REVISIONS

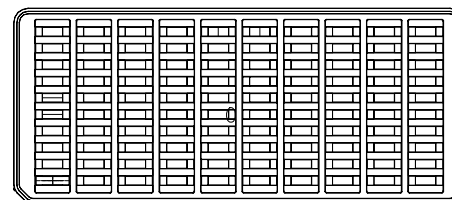
P	LTR	DESCRIPTION	DATE	DWN	APVD
		SEE SHEET 1.			

NOTES :

- 1. MATERIAL:
 - 1.1 TRAY:
 - 1775485-1/1775485-2/1775485-4/1775485-5 SOFT TRAY
 - 1-1775485-1/1-1775485-2/2-1775485-1 SOFT TRAY
 - 2-1775485-2/1775485-3 SOFT TRAY
 - 2-1775485-4/3-1775485-2 HARD TRAY
 - 1.2 SHIPPING CARTON: CORRUGATED FIBERBOARD
- 2. QUANTITY:
 - 2.1 PRIMARY PACKING: 80 PCS/TRAY SOFT TRAY
 - 100 PCS/TRAY HARD TRAY
 - 2.2 SECONDARY PACKING: 50 TRAY/CARTON(4,000PCS)
 - 20 TRAY/CARTON(2,000PCS)



SOFT TRAY



HARD TRAY

THIS DRAWING IS A CONTROLLED DOCUMENT.		DWN	TE TE Connectivity	
		CHK		
DIMENSIONS: MM		APVD	NAME	
TOLERANCES UNLESS OTHERWISE SPECIFIED:		PRODUCT SPEC	BATTERY HOLDER, H=18.5mm, V/T	
0 PLC ± -		APPLICATION SPEC	SIZE	CAGE CODE
1 PLC ± -			A3	00779
2 PLC ± -		WEIGHT	DRAWING NO	
3 PLC ± -			C=1775485	
4 PLC ± -		CUSTOMER DRAWING	SCALE	SHEET
ANGLES ± -			-	4 OF 4
MATERIAL	FINISH			REV B2