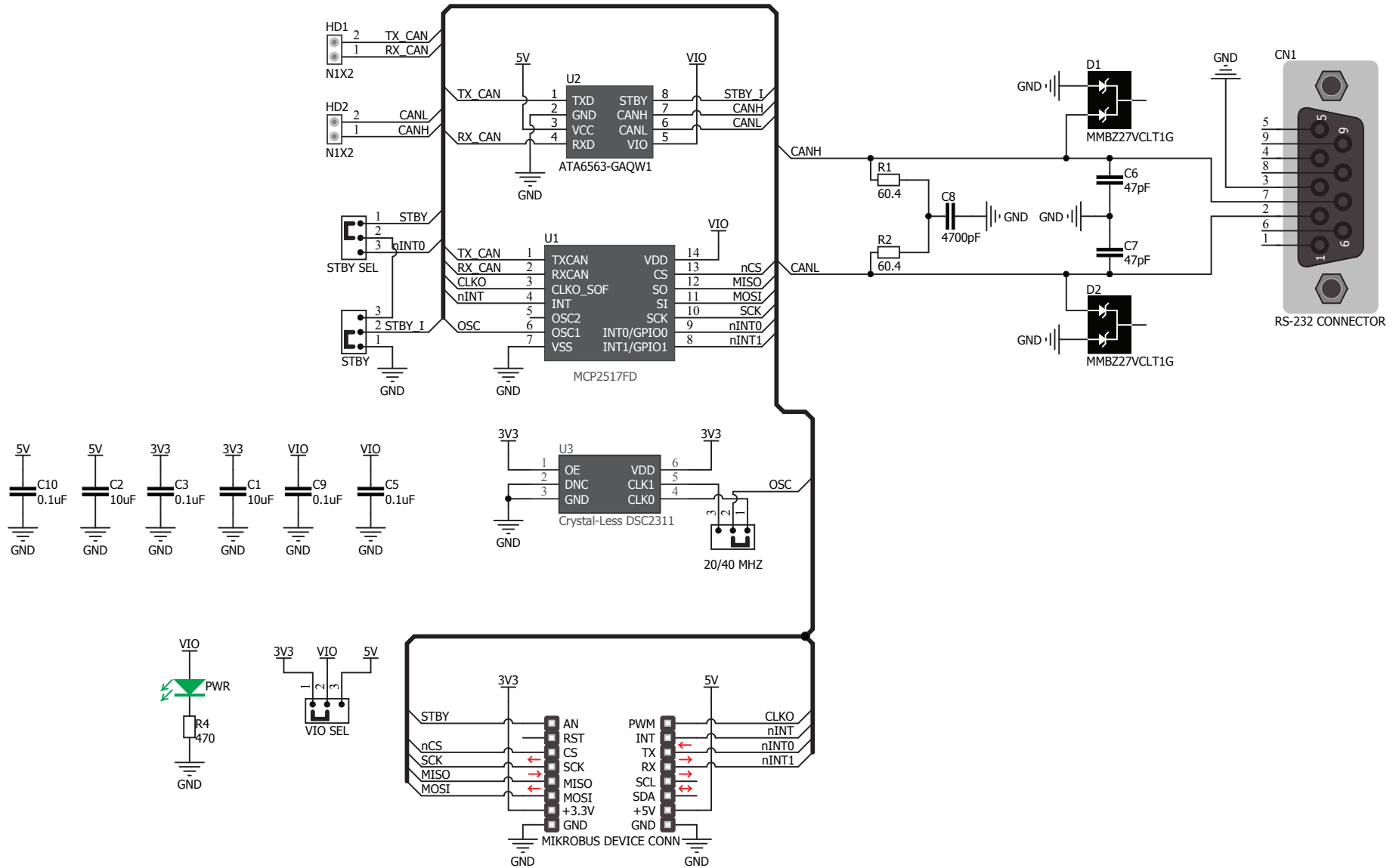


MCP2517FD click schematic v100



www.mikroe.com

Mouser Electronics

Authorized Distributor

Click to View Pricing, Inventory, Delivery & Lifecycle Information:

[Mikroe:](#)

[MIKROE-2517](#) [MIKROE-2379](#)