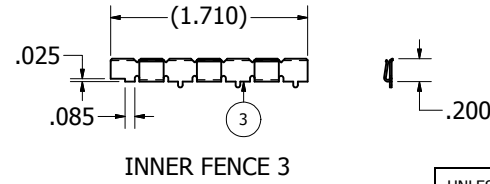
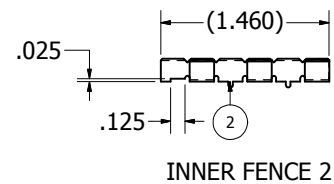
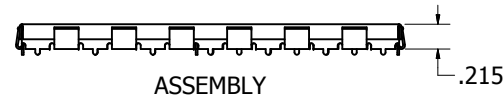
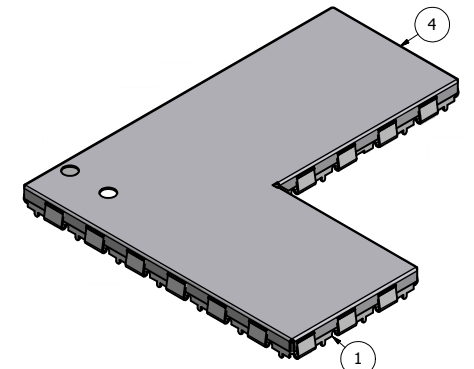
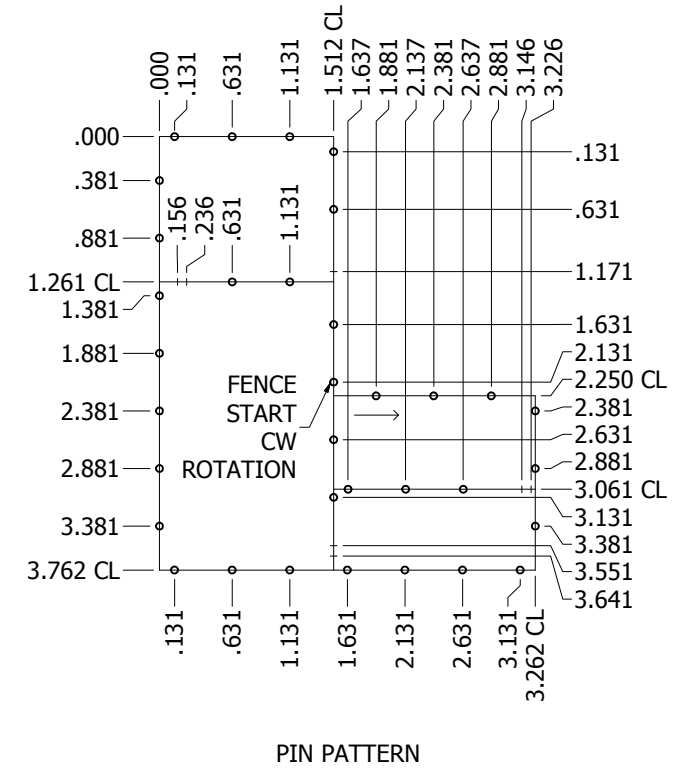
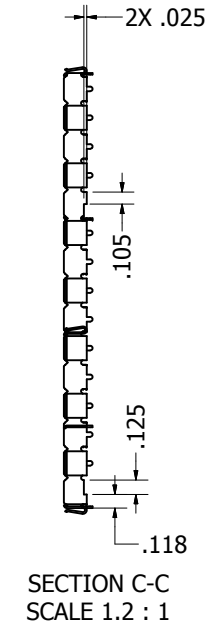
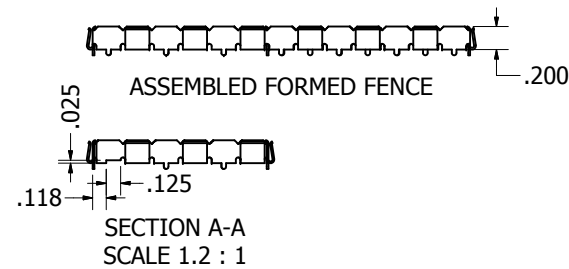
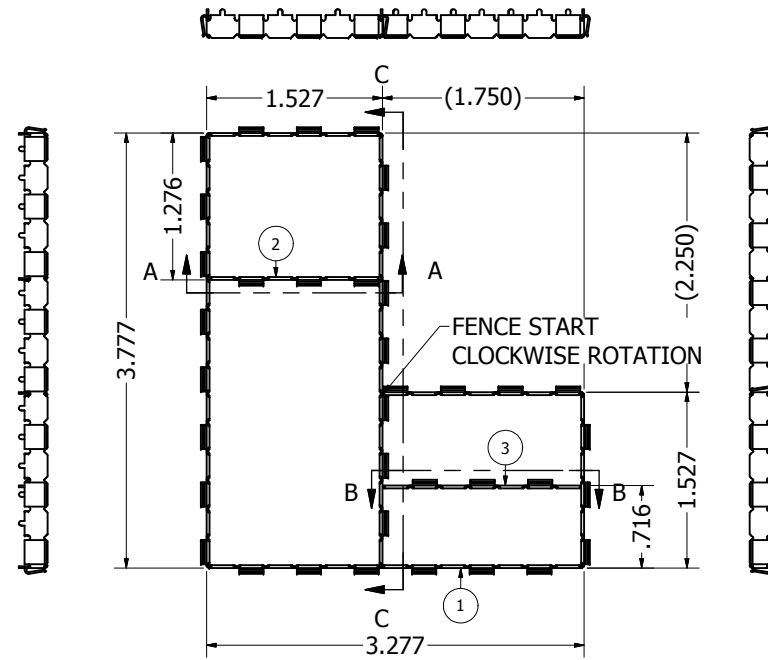
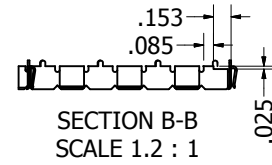
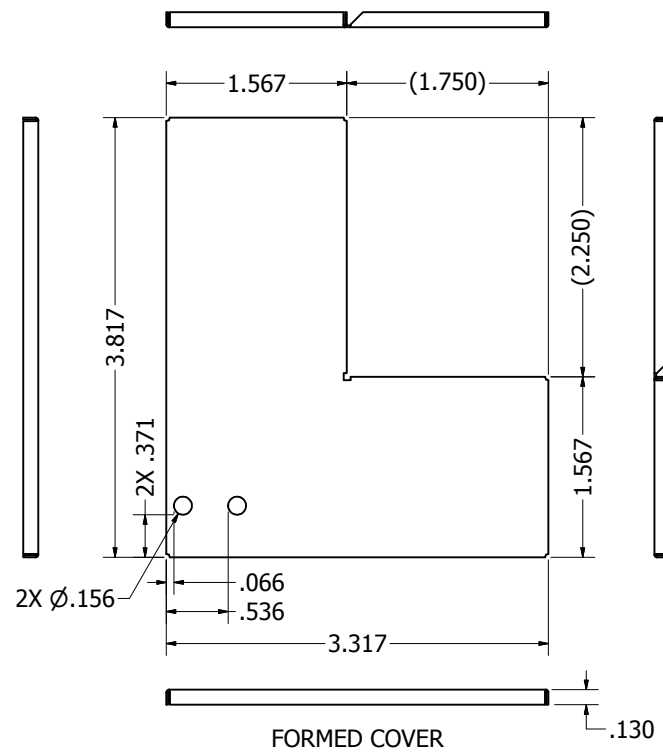


NOTES:

- PARTS SHALL BE FREE OF BURRS AND SHARP EDGES
- PARTS SHALL BE RoHS COMPLIANT PER EUROPEAN UNION DIRECTIVE 2002/95/EC
- ASSURE ASSEMBLY CAPABILITY BY MATCHING WITH MATING PART PRIOR TO FINAL ACCEPTANCE.
- FENCE 2 AND 3 ARE NOT ASSEMBLED

REVISION HISTORY			
REV	DESCRIPTION	DATE	APPROVED
A	PRODUCTION RELEASE	10/20/2010	JG
B	.156 X .140	1/27/2011	DJM
C	24S-CBS FENCE WAS 20-CBS, ADD CUST P/N		



Parts List			
ITEM	QTY	PART NUMBER	DESCRIPTION
1	1	LT-3814-F1	24S CBS SERIES, FENCE OUTER FENCE 1
2	1	LT-3814-F2	24S CBS SERIES, FENCE INNER FENCE 2
3	1	LT-3814-F3	24S CBS SERIES, FENCE INNER FENCE 3
4	1	LT-3814-C	COVER

UNLESS OTHERWISE SPECIFIED, DIMENSIONS ARE IN INCHES.
 .XXX ± .005
 .XX ± .01
 .X ± .1
 ANGLES ± 2°



CUST. NAME	PREPARED	DATE
FREE FLIGHT SYSTEMS	jgonzalez	10/13/2010
CUSTOMER DWG NO.	ENGINEERING	
86903	RS	10/15/2010
CUSTOMER DWG NO.#2	MFG APPROVAL	
	VD	10/15/2010
FINISH	QA APPROVAL	
PRE TIN BRIGHT	LMD	10/15/2010
MATERIAL SPEC		
.015" PRE TIN STEEL		

24S-CBS L-SHAPE

SIZE	DWG NO	REV
D	LT-3814	C
SCALE	FSCM NO.	SHEET 1 OF 1
	4J674	

THIS DOCUMENT CONTAINS PROPRIETARY INFORMATION OWNED BY LEADERTECH, OR DEVELOPED AT ITS OWN PRIVATE EXPENSE, AND MAY NOT BE USED, REPRODUCED OR DISCLOSED IN WHOLE OR IN PART FOR ANY PURPOSE INCLUDING DESIGN, MANUFACTURE OR PROCUREMENT WITHOUT THE WRITTEN PERMISSION OF LEADERTECH. LEADERTECH DOES NOT GUARANTEE OR WARRANTY THE PERFORMANCE CHARACTERISTICS.

Mouser Electronics

Authorized Distributor

Click to View Pricing, Inventory, Delivery & Lifecycle Information:

[LeaderTech:](#)

[LT-3814](#)