

Introduction



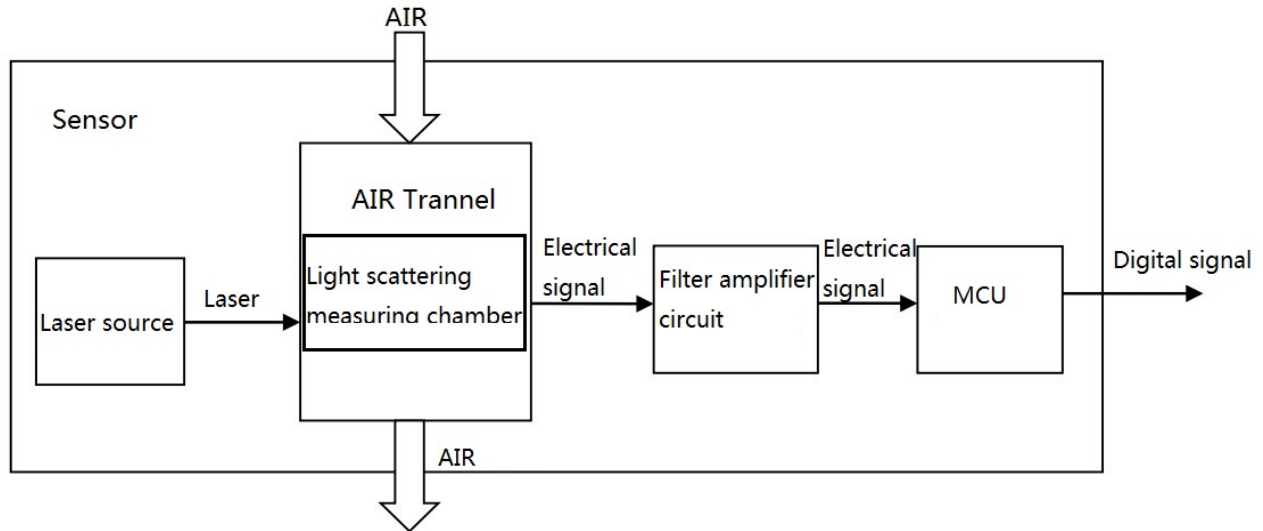
(<https://www.dfrobot.com/product-1272.html>)

PM2.5 laser dust sensor (<https://www.dfrobot.com/product-1272.html>) is a digital universal particle concentration sensor, it can be used to obtain the number of suspended particulate matter in a unit volume of air within 0.3 to 10 microns, namely the concentration of particulate matter, and output with digital interface, also can output quality data of per particle. The **Air Quality sensors** (<https://www.dfrobot.com/category-85.html>) can be embedded in a variety of concentrations of environment-related instruments suspended particulate matter in the air, to provide timely and accurate concentration data.

How it works?

This **pm2.5 sensor** (<https://www.dfrobot.com/product-1272.html>) uses a laser scattering theory. And namely the scattering of laser irradiation in the air suspended particles, while collecting the scattered light at a specific angle, to obtain the scattering intensity versus with time curve. After the microprocessor data collection, get the relationship between the time domain and frequency domain by Fourier transform, and then through a series of complex algorithms to obtain the

number of particles in the equivalent particle size and volume units of different size. Each functional block diagram of the sensor portion as shown:



Specification

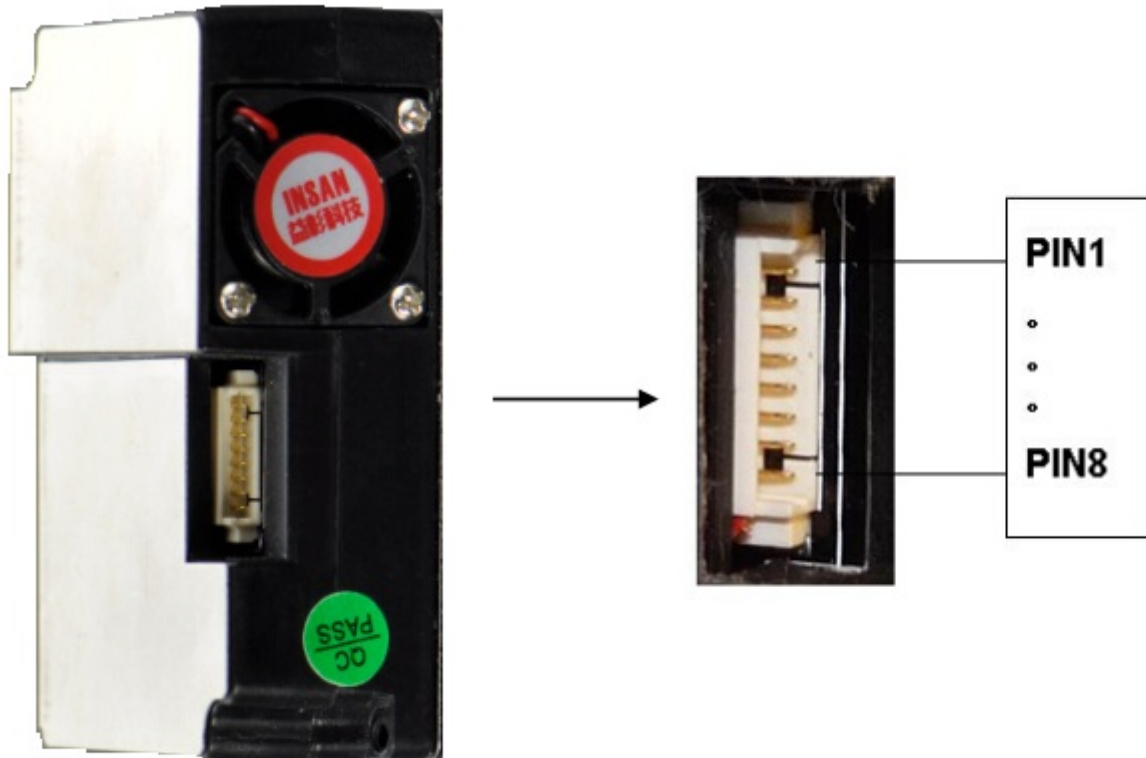
- Operating voltage: 4.95 ~ 5.05V
- Maximum electric current: 120mA
- Measuring pm diameter: 0.3-1.0, 1.0-2.5, 2.5-10(um)
- Measuring pm range: 0~500 ug/m3
- Standby current: ≤200 uA
- Response time: ≤10 s
- Operating temperature range: -20 ~ 50C
- Operating humidity range: 0 ~ 99% RH
- Maximum size: 65 × 42 × 23 (mm)
- MTBF: ≥ 5 years
- Quick response
- Standard serial input word output
- Second-order multi-point calibration curve
- The minimum size of 0.3 micron resolution

Power supply quality requirements:

- Voltage ripple: less than 100mV.
- The power supply voltage stability: 4.95 ~ 5.05V.
- Power supply: more than 1W (5V@200mA).

- The upper and lower electric voltage surge is less than 50% of the system power supply voltage.

Connection



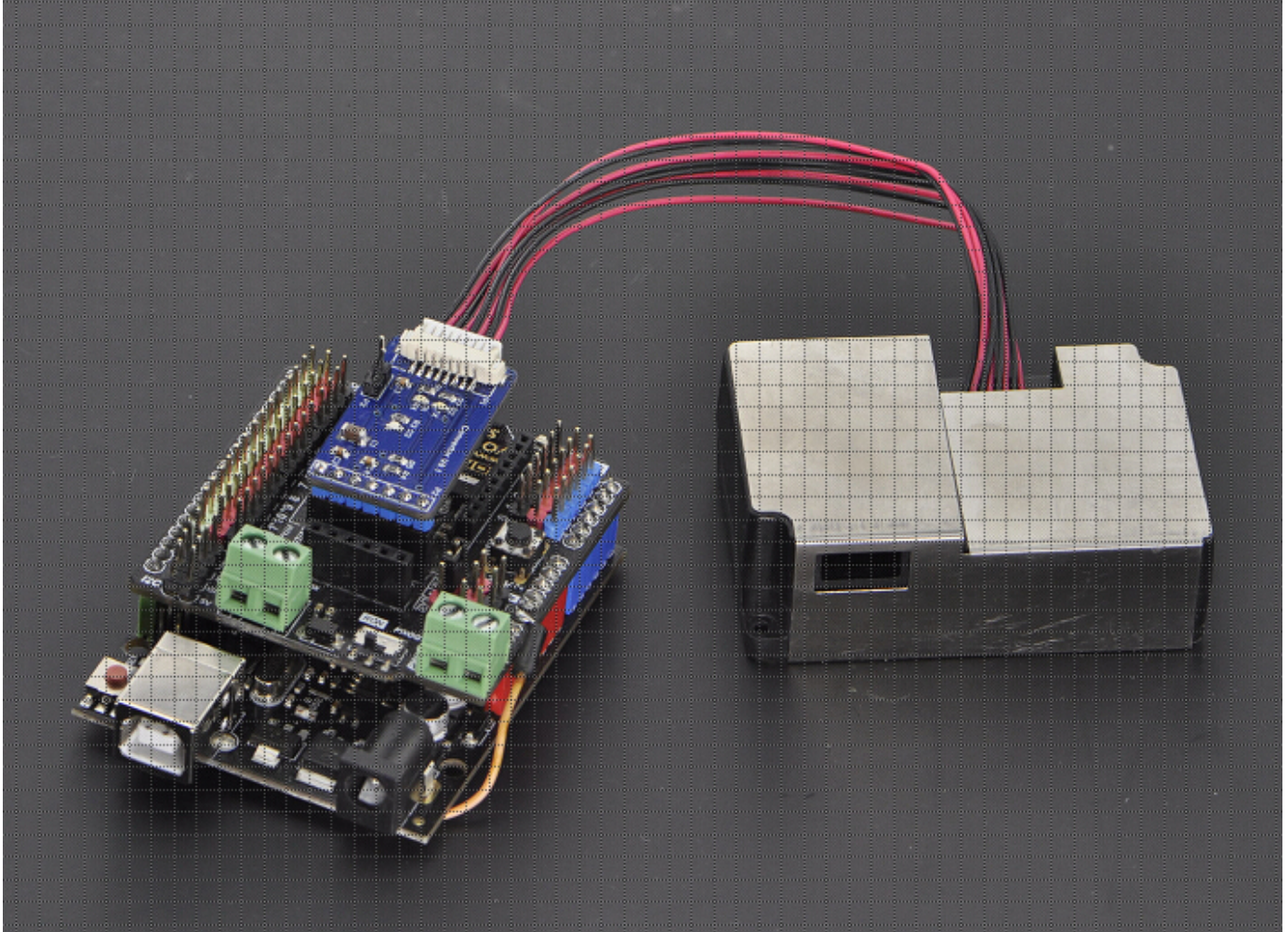
Sensor Pin	Arduino Pin	Function Description
Pin 1	VCC	Positive Power
Pin 2	GND	Negative Power
Pin 3	SET	Mode setting (More hereof later)
Pin 4	RXD	receive serial port pin (3.3V level)
Pin 5	TXD	Transferring serial port pin (3.3V level)
Pin 6	RESET	Reset
Pin 7/ 8	NC	NULL

*SET: * SET = 1, the module works in continuous sampling mode, it will upload the sample data after the end of each sampling. (The sampling response time is 1S) SET = 0, the module enters a low-power standby mode. RESET: leave it empty is OK.

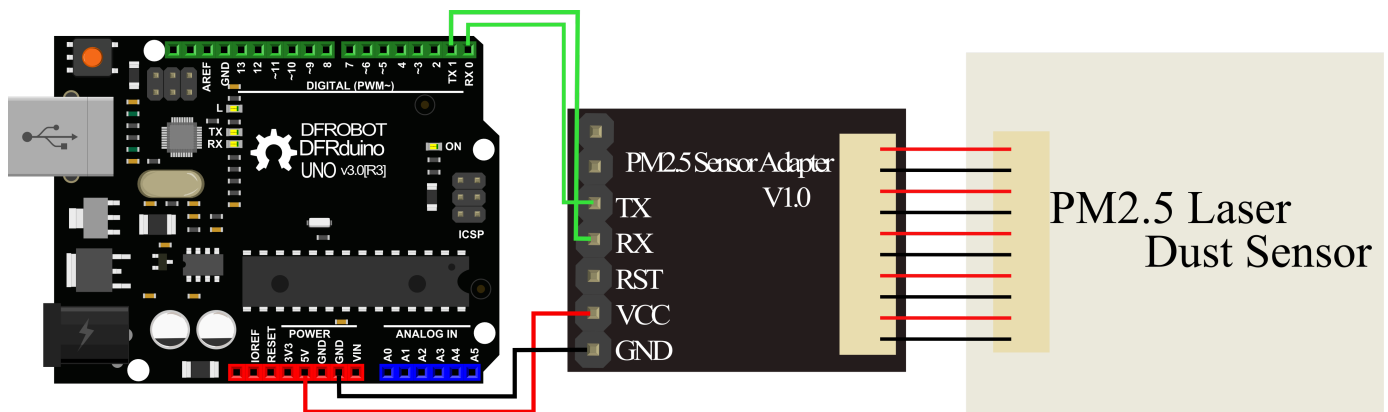
Tutorial

Connection Diagram

If you have an IO expansion shield (<https://www.dfrobot.com/product-1009.html>), you can simply insert the PM2.5 sensor adapter onto it, and you can use the serial to monitor the data.



If you have no IO expansion shield, you can follow the wiring diagram to do wiring.



Sample Code

NOTE: This code can only be verified in ArduinoIDE 1.6.x or above.


```

//*****
/*Abstract: Read value of PM1,PM2.5 and PM10 of air quality
//
/*Version: V3.1
/*Author: Zuyang @ HUST
/*Modified by Cain for Arduino Hardware Serial port compatibility
/*Date: March.25.2016
//*****
#include <Arduino.h>
#define LENG 31 //0x42 + 31 bytes equal to 32 bytes
unsigned char buf[LENG];

int PM01Value=0; //define PM1.0 value of the air detector module
int PM2_5Value=0; //define PM2.5 value of the air detector module
int PM10Value=0; //define PM10 value of the air detector module

void setup()
{
  Serial.begin(9600); //use serial0
  Serial.setTimeout(1500); //set the Timeout to 1500ms, longer than the data transmissi
}

void loop()
{
  if(Serial.find(0x42)){ //start to read when detect 0x42
    Serial.readBytes(buf,LENG);

    if(buf[0] == 0x4d){
      if(checkValue(buf,LENG)){
        PM01Value=transmitPM01(buf); //count PM1.0 value of the air detector module
        PM2_5Value=transmitPM2_5(buf); //count PM2.5 value of the air detector module
        PM10Value=transmitPM10(buf); //count PM10 value of the air detector module
      }
    }
  }

  static unsigned long OledTimer=millis();
  if (millis() - OledTimer >=1000)
  {
    OledTimer=millis();

    Serial.print("PM1.0: ");
    Serial.print(PM01Value);
    Serial.println(" ug/m3");

    Serial.print("PM2.5: ");

```

```
    Serial.print(PM2_5Value);
    Serial.println(" ug/m3");

    Serial.print("PM1 0: ");
    Serial.print(PM10Value);
    Serial.println(" ug/m3");
    Serial.println();
}

}

char checkValue(unsigned char *thebuf, char leng)
{
    char receiveflag=0;
    int receiveSum=0;

    for(int i=0; i<(leng-2); i++){
        receiveSum=receiveSum+thebuf[i];
    }
    receiveSum=receiveSum + 0x42;

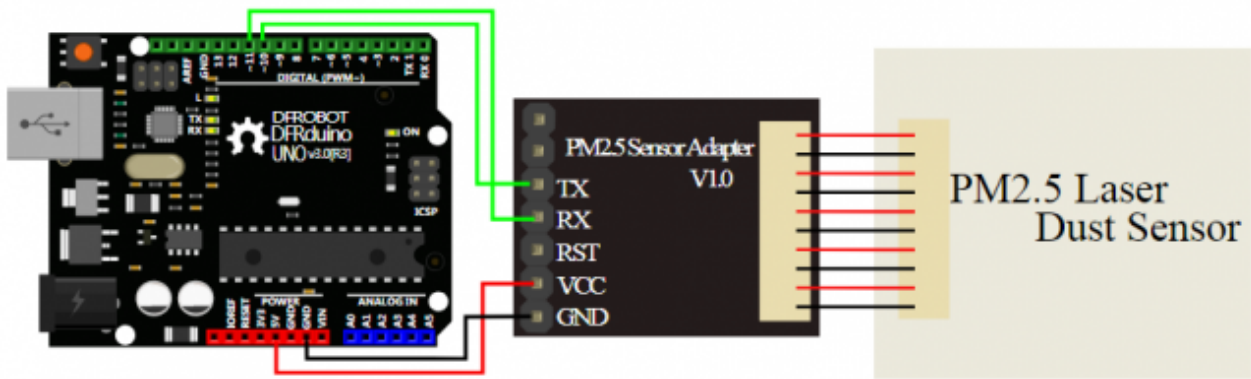
    if(receiveSum == ((thebuf[leng-2]<<8)+thebuf[leng-1])) //check the serial data
    {
        receiveSum = 0;
        receiveflag = 1;
    }
    return receiveflag;
}

int transmitPM01(unsigned char *thebuf)
{
    int PM01Val;
    PM01Val=((thebuf[3]<<8) + thebuf[4]); //count PM1.0 value of the air detector module
    return PM01Val;
}

//transmit PM Value to PC
int transmitPM2_5(unsigned char *thebuf)
{
    int PM2_5Val;
    PM2_5Val=((thebuf[5]<<8) + thebuf[6]); //count PM2.5 value of the air detector module
    return PM2_5Val;
}

//transmit PM Value to PC
int transmitPM10(unsigned char *thebuf)
{
    int PM10Val;
    PM10Val=((thebuf[7]<<8) + thebuf[8]); //count PM10 value of the air detector module
    return PM10Val;
}
```

Use with Arduino Software Serial



NOTE: The following codes are for using Software Serial.

```

/*****
/*Abstract: Read value of PM1,PM2.5 and PM10 of air quality
/*Product Link: https://www.dfrobot.com.cn/goods-1113.html
/*
//8
/*The RX pin on the sensor connects to pin 11 on the Arduino
/*The TX pin on the sensor connects to pin 10 on the Arduino
//
/*Version: V3.1
/*Author: Zuyang @ HUST
/*Date: March.25.2016
/*****
#include <Arduino.h>
#include <SoftwareSerial.h>
#define LENG 31 //0x42 + 31 bytes equal to 32 bytes
unsigned char buf[LENG];

int PM01Value=0; //define PM1.0 value of the air detector module
int PM2_5Value=0; //define PM2.5 value of the air detector module
int PM10Value=0; //define PM10 value of the air detector module

SoftwareSerial PMSerial(10, 11); // RX, TX

void setup()
{
  PMSerial.begin(9600);
  PMSerial.setTimeout(1500);
  Serial.begin(9600);
}

void loop()
{
  if(PMSerial.find(0x42)){
    PMSerial.readBytes(buf,LENG);

    if(buf[0] == 0x4d){
      if(checkValue(buf,LENG)){
        PM01Value=transmitPM01(buf); //count PM1.0 value of the air detector module
        PM2_5Value=transmitPM2_5(buf); //count PM2.5 value of the air detector module
        PM10Value=transmitPM10(buf); //count PM10 value of the air detector module
      }
    }
  }

  static unsigned long OledTimer=millis();
  if (millis() - OledTimer >=1000)
  {
    OledTimer=millis();
  }
}

```



```

    Serial.print("PM1.0: ");
    Serial.print(PM01Value);
    Serial.println(" ug/m3");

    Serial.print("PM2.5: ");
    Serial.print(PM2_5Value);
    Serial.println(" ug/m3");

    Serial.print("PM1 0: ");
    Serial.print(PM10Value);
    Serial.println(" ug/m3");
    Serial.println();
}

}

char checkValue(unsigned char *thebuf, char leng)
{
    char receiveflag=0;
    int receiveSum=0;

    for(int i=0; i<(leng-2); i++){
        receiveSum=receiveSum+thebuf[i];
    }
    receiveSum=receiveSum + 0x42;

    if(receiveSum == ((thebuf[leng-2]<<8)+thebuf[leng-1])) //check the serial data
    {
        receiveSum = 0;
        receiveflag = 1;
    }
    return receiveflag;
}

int transmitPM01(unsigned char *thebuf)
{
    int PM01Val;
    PM01Val=((thebuf[3]<<8) + thebuf[4]); //count PM1.0 value of the air detector module
    return PM01Val;
}

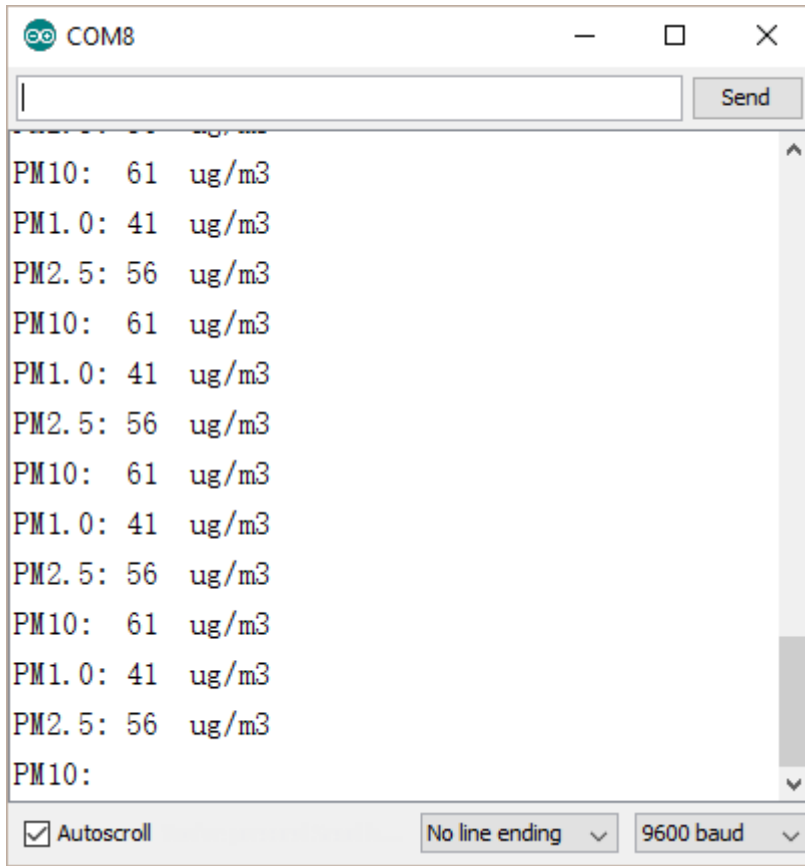
//transmit PM Value to PC
int transmitPM2_5(unsigned char *thebuf)
{
    int PM2_5Val;
    PM2_5Val=((thebuf[5]<<8) + thebuf[6]); //count PM2.5 value of the air detector module
    return PM2_5Val;
}

//transmit PM Value to PC
int transmitPM10(unsigned char *thebuf)
{
    int PM10Val;
    PM10Val=((thebuf[7]<<8) + thebuf[8]); //count PM10 value of the air detector module
    return PM10Val;
}
}

```

Expected Results

Please wait 30s for the data.



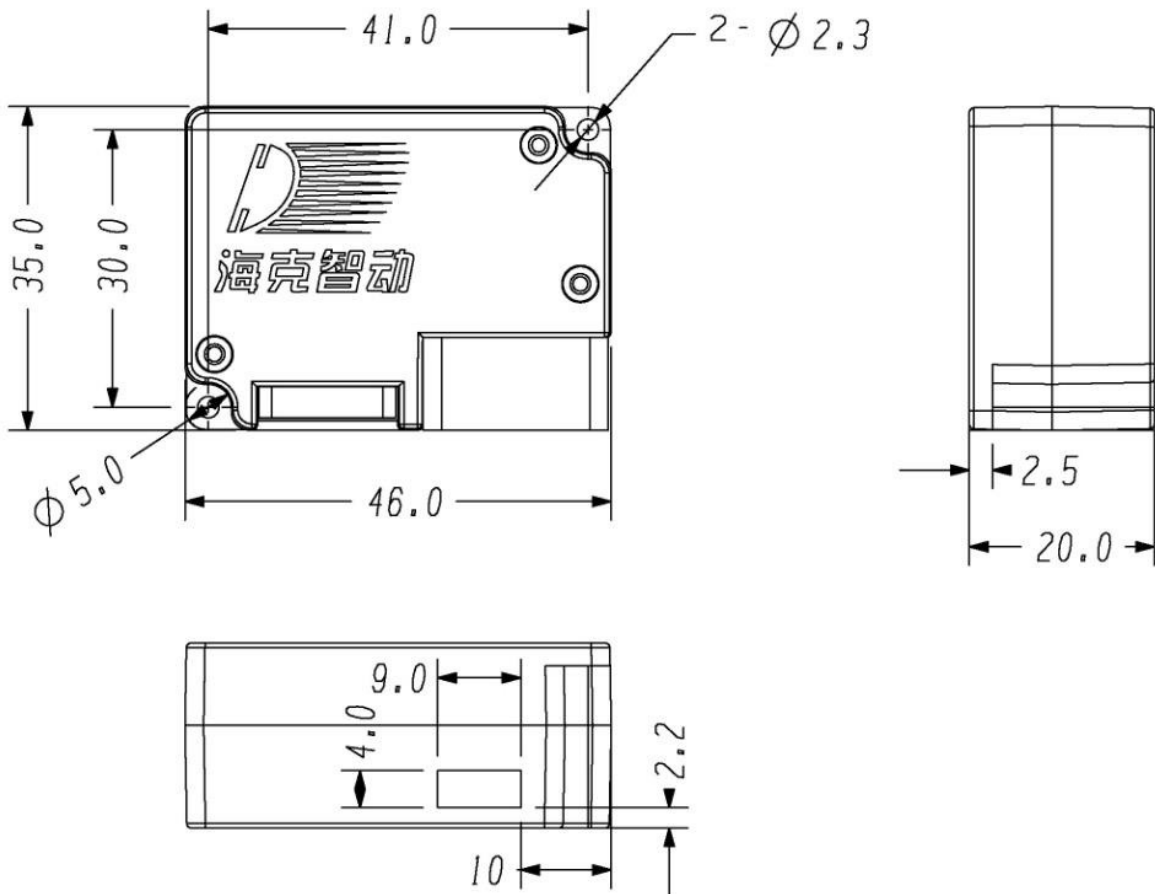
Communication protocol

Serial port baudrate: 9600; Parity: None; Stop Bits: 1; packet length is fixed at 32 bytes.

Start Character 1	0x42(fixed bit)
Start Character 2	0x4d(fixed bit)
Frame Length 16-byte	Frame Length = 2*9+2 (data+check bit)
Data 1, 16-byte	concentration of PM1.0, ug/m3
Data 2, 16-byte	concentration of PM2.5, ug/m3
Data 3, 16-byte	concentration of PM10.0, ug/m3
Data 4, 16-byte	Internal test data
Data 5, 16-byte	Internal test data
Data 6, 16-byte	Internal test data
	the number of particulate of diameter above 0.3um in 0.1

Data 7, 16-byte	the number of particulate of diameter above 0.3um in 0.1 liters of air
Data 8, 16-byte	the number of particulate of diameter above 0.5um in 0.1 liters of air
Data 9, 16-byte	the number of particulate of diameter above 1.0um in 0.1 liters of air
Data 10, 16-byte	the number of particulate of diameter above 2.5um in 0.1 liters of air
Data 11, 16-byte	the number of particulate of diameter above 5.0um in 0.1 liters of air
Data 12, 16-byte	the number of particulate of diameter above 10.0um in 0.1 liters of air
Data 13, 16-byte	Internal test data
Check Bit for Data Sum, 16-byte	Check Bit = Start Character 1 + Start Character 2 + ...all data

Dimensions




FAQ

Q&A	Some general Arduino Problems/FAQ/Tips
-----	--

A	For any questions, advice or cool ideas to share, please visit the DFRobot Forum (https://www.dfrobot.com/forum/).
---	--

More Documents

Datasheet (https://github.com/Arduinolibrary/DFRobot_PM2.5_Sensor_module/raw/master/HK-A5%20Laser%20PM2.5%20Sensor%20V1.0.pdf)

 Get **Laser PM2.5 Air Quality Sensor For Arduino** (<https://www.dfrobot.com/product-1272.html>) from DFRobot Store or **DFRobot Distributor**. (<https://www.dfrobot.com/index.php?route=information/distributorslogo>)

Turn to the Top