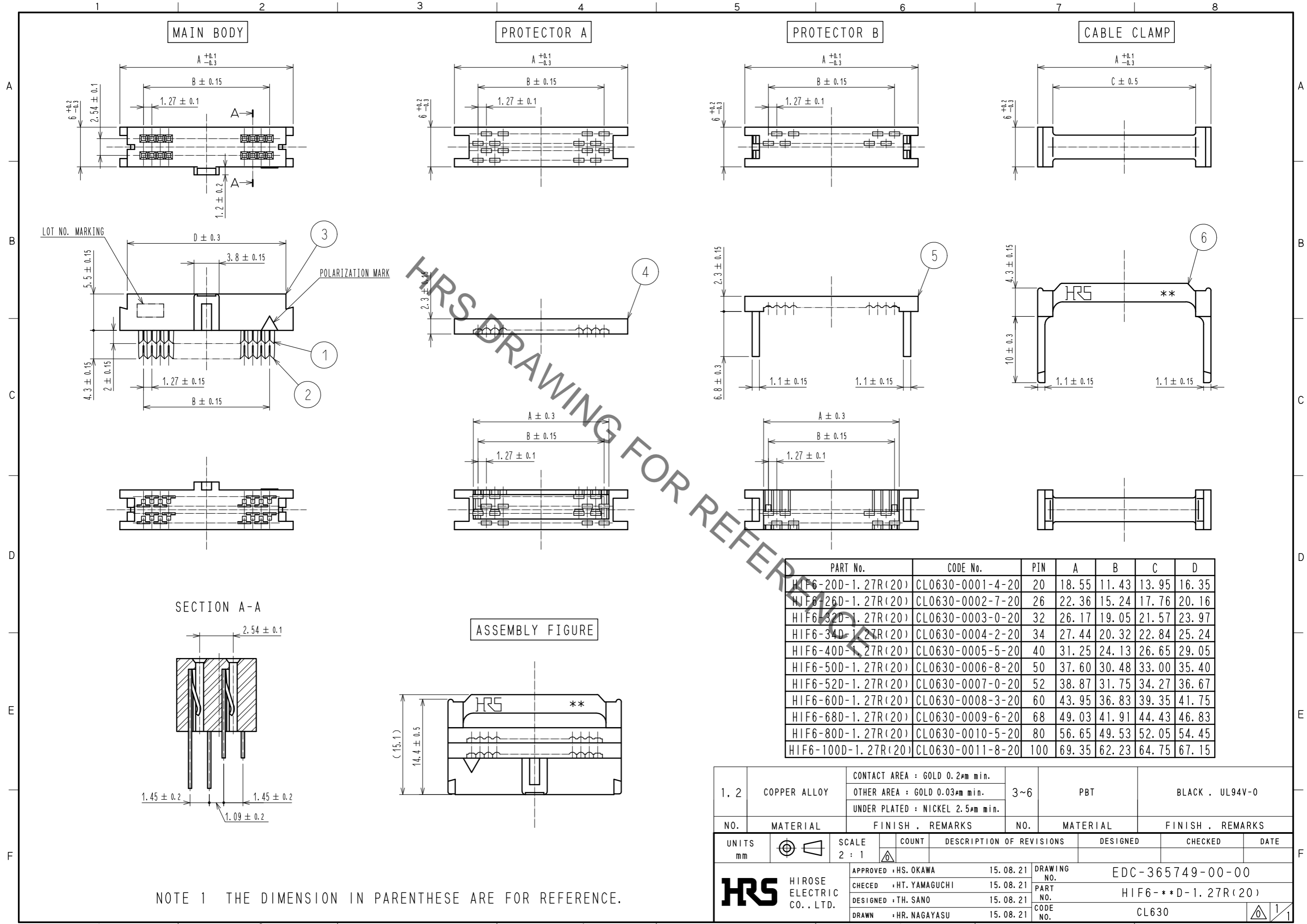
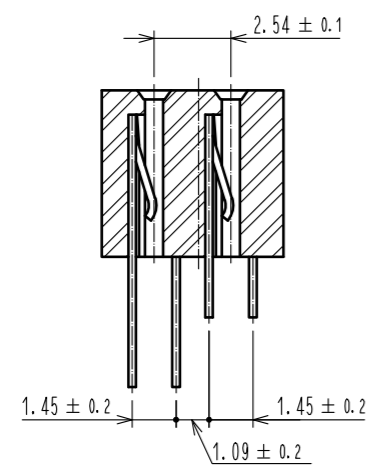


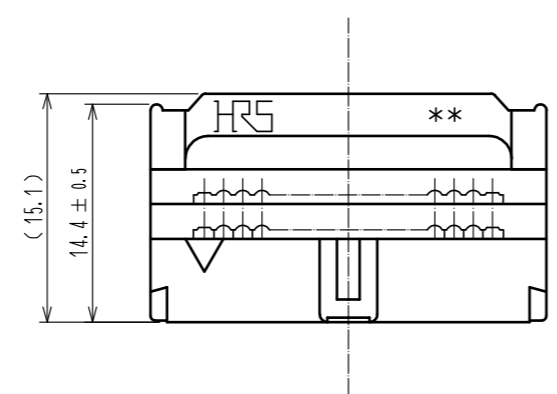
May.1.2020 Copyright 2020 HIROSE ELECTRIC CO., LTD. All Rights Reserved.  
In case of consideration for using Automotive equipment / device which demand high reliability, kindly contact our sales window correspondents.



SECTION A-A



ASSEMBLY FIGURE



PART No.	CODE No.	PIN	A	B	C	D
HIF6-20D-1.27R(20)	CL0630-0001-4-20	20	18.55	11.43	13.95	16.35
HIF6-26D-1.27R(20)	CL0630-0002-7-20	26	22.36	15.24	17.76	20.16
HIF6-32D-1.27R(20)	CL0630-0003-0-20	32	26.17	19.05	21.57	23.97
HIF6-34D-1.27R(20)	CL0630-0004-2-20	34	27.44	20.32	22.84	25.24
HIF6-40D-1.27R(20)	CL0630-0005-5-20	40	31.25	24.13	26.65	29.05
HIF6-50D-1.27R(20)	CL0630-0006-8-20	50	37.60	30.48	33.00	35.40
HIF6-52D-1.27R(20)	CL0630-0007-0-20	52	38.87	31.75	34.27	36.67
HIF6-60D-1.27R(20)	CL0630-0008-3-20	60	43.95	36.83	39.35	41.75
HIF6-68D-1.27R(20)	CL0630-0009-6-20	68	49.03	41.91	44.43	46.83
HIF6-80D-1.27R(20)	CL0630-0010-5-20	80	56.65	49.53	52.05	54.45
HIF6-100D-1.27R(20)	CL0630-0011-8-20	100	69.35	62.23	64.75	67.15

1, 2	COPPER ALLOY	CONTACT AREA : GOLD 0.2µm min. OTHER AREA : GOLD 0.03µm min. UNDER PLATED : NICKEL 2.5µm min.	3~6	PBT	BLACK . UL94V-0		
NO.	MATERIAL	FINISH . REMARKS	NO.	MATERIAL	FINISH . REMARKS		
UNITS mm		SCALE 2 : 1	COUNT 	DESCRIPTION OF REVISIONS	DESIGNED	CHECKED	DATE
<b>HRS</b> HIROSE ELECTRIC CO., LTD.		APPROVED : HS. OKAWA 15.08.21	CHECED : HT. YAMAGUCHI 15.08.21	DESIGNED : TH. SANO 15.08.21	DRAWN : HR. NAGAYASU 15.08.21	DRAWING NO. EDC-365749-00-00 PART NO. HIF6-**-D-1.27R(20) CODE NO. CL630	

NOTE 1 THE DIMENSION IN PARENTHESE ARE FOR REFERENCE.