



STK730-080

Self-Excitation Type Semi-Regulated Switching Regulator (210 W Output)

Overview

The STK730-080 provides on-chip the power switching, error detection, amplifier, and overcurrent protection circuits required in a self-excitation type semi-regulated switching regulator. As a result, it can be used to construct a switching power supply with a minimal number of external components. Furthermore, due to the adoption of MOSFETs as the power switching elements, an oscillator frequency higher than that possible with bipolar transistors can be used. This allows miniaturized power supply systems to be constructed by reducing the size of the pulse transformer and capacitors.

Applications

- Power supplies in CRT and CTV products
- Power supplies in office automation products
- Switching power supplies in general

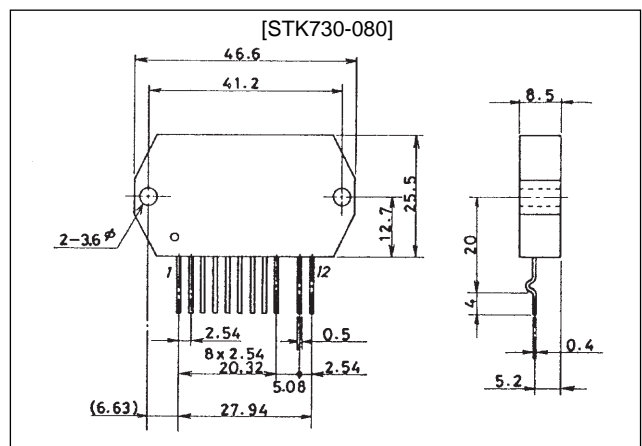
Features

- Power MOSFETs adopted
- Built-in error detection circuit
- Built-in overcurrent protection circuit
- Product series differentiated by output capacity (110 to 280 W)
- Few external components required
- Since the STK730-080 supports higher oscillator frequencies, smaller pulse transformers can be used.
- Takes all major national stability standards and EMF hazard standards into consideration.
- The IMST (insulated metal substrate technology) substrate functions as an EMF shield plate and supports low noise design.

Package Dimensions

unit: mm

4121



■ Any and all SANYO products described or contained herein do not have specifications that can handle applications that require extremely high levels of reliability, such as life-support systems, aircraft's control systems, or other applications whose failure can be reasonably expected to result in serious physical and/or material damage. Consult with your SANYO representative nearest you before using any SANYO products described or contained herein in such applications.

■ SANYO assumes no responsibility for equipment failures that result from using products at values that exceed, even momentarily, rated values (such as maximum ratings, operating condition ranges, or other parameters) listed in products specifications of any and all SANYO products described or contained herein.

SANYO Electric Co.,Ltd. Semiconductor Business Headquarters

TOKYO OFFICE Tokyo Bldg., 1-10, 1 Chome, Ueno, Taito-ku, TOKYO, 110-8534 JAPAN

Specifications

Maximum Ratings at $T_a = 25^\circ\text{C}$ ($T_c = 25^\circ\text{C}$ unless specified otherwise)

Parameter	Symbol	Conditions	Ratings	Unit
Operating substrate temperature	$T_c \text{ max}$	*1	115	$^\circ\text{C}$
AC input voltage	V_{AC}	*2	280	Vrms
Operating temperature	T_{opr}		-10 to +85	$^\circ\text{C}$
Storage temperature	T_{stg}		-30 to +115	$^\circ\text{C}$
Maximum output power	$W_o \text{ max}$	*2 When $V_O = 135 \text{ V}$	210	W
[TR1]				
Drain current	I_D	*3	6	A
Pulse drain current	$I_D \text{ (puls)}$	*3	15	A
Drain reverse current	I_{DR}		6	A
Gate-source voltage	V_{GSS}		± 30	V
Allowable power dissipation	P_d		100	W
Chip junction temperature	$T_j \text{ max}$		150	$^\circ\text{C}$
Thermal resistance	θ_{j-c}		1.25	$^\circ\text{C/W}$
[ZD1]				
Allowable power dissipation	P_{ZD1}		500	mW
Chip junction temperature	$T_j \text{ (ZD1) max}$		125	$^\circ\text{C}$
Thermal resistance	$\theta_{j-c} \text{ (ZD1)}$		0.2	$^\circ\text{C/mW}$

Note: 1. The recommended substrate temperature is 105°C (maximum).
 2. In the specified test circuit
 3. See the ASO characteristics for these values in overcurrent states.

Recommended Operating Conditions at $T_a = 25^\circ\text{C}$

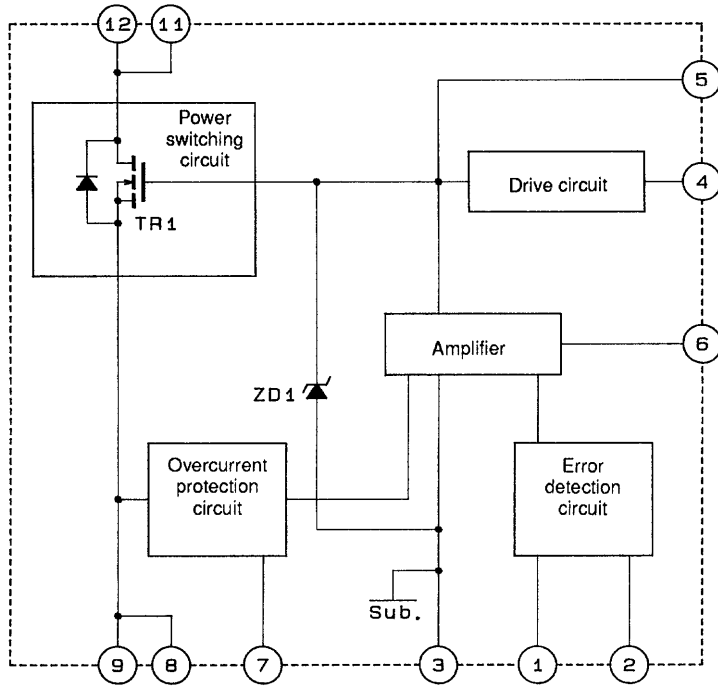
Parameter	Symbol	Conditions	Ratings	Unit
Pin 4 input voltage	V_4		± 8 to ± 24	V
Oscillator frequency	f_{OSC}		20 to 120	kHz

Operating Characteristics at $T_a = 25^\circ\text{C}$ ($T_c = 25^\circ\text{C}$ unless specified otherwise)

Parameter	Symbol	Conditions	Ratings			Unit
			min	typ	max	
Output voltage setting		* $I_{in} = 8 \text{ mA}$	40.0	40.5	41.0	V
Output voltage temperature coefficient		* $T_c = 0 \text{ to } +105^\circ\text{C}$, $I_{in} = 8 \text{ mA}$		7		mV/ $^\circ\text{C}$
[TR1]						
Drain-source breakdown voltage	$V_{(BR)DSS}$	$I_D = 10 \text{ mA}$, $V_{GS} = 0 \text{ V}$	900			V
Gate-source cutoff voltage	$V_{GS} \text{ (off)}$	$I_D = 1 \text{ mA}$, $V_{DS} = 10 \text{ V}$	2.0		3.0	V
On resistance	$R_{DS} \text{ (on)}$	$I_D = 3 \text{ A}$, $V_{GS} = 10 \text{ V}$		2.0	3.0	Ω
Input capacitance	C_{iss}	$V_{DS} = 10 \text{ V}$, $V_{GS} = 0 \text{ V}$, $f = 1 \text{ MHz}$		1200		pF
[ZD1]						
Zener voltage	V_Z	$I_Z = 5 \text{ mA}$	23.7		26.3	V

Note: * In the specified test circuit

Equivalent Circuit Block Diagram

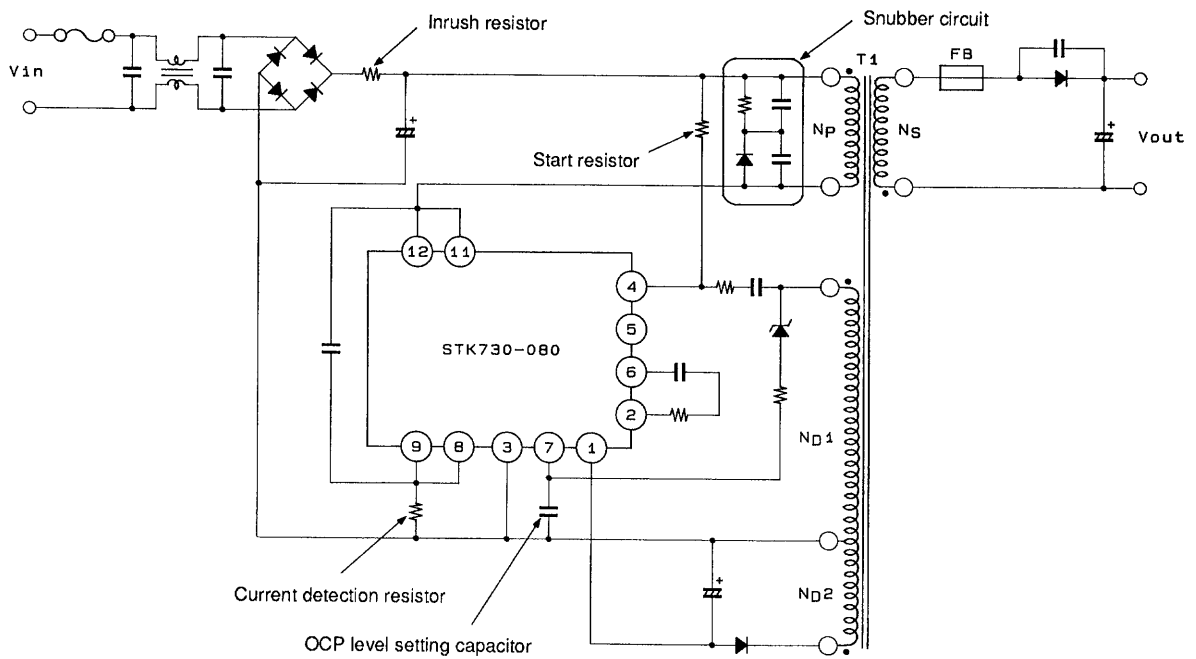


Pin No.	Description
1	Vref (40.5 V typical) input
2	Error detection level
3	Ground
4	Drive voltage input
5	TR1 gate
6	Amplifier circuit control
7	OCP setting level input
8	TR1 source
9	TR1 drain
11	TR1 source
12	TR1 drain

A01842

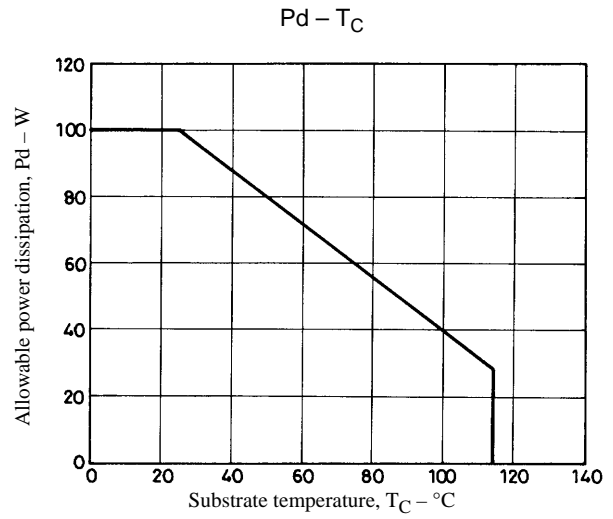
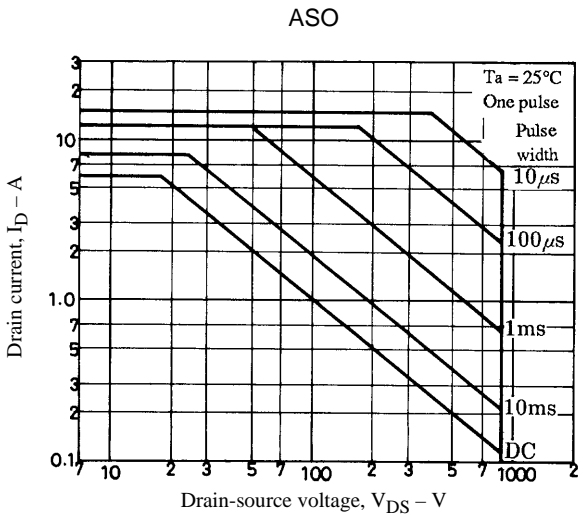
Note: The back surface of the IC is not an insulator, and may be shorted to pin 3.

Sample Application Circuit



A01843

Characteristics Data



Series Organization

These products are provided as a product series whose members differ mainly in their power capacity. Note that the following table includes products that are under development. Contact your Sanyo sales representative for information on product availability.

Product No.	Maximum Rating					Operating Characteristic		
	V_{DSS}	T_{stg}^*	T_c max	T_j max	I_D	AC input range	W_o max	R_{on} typ.
	V	$^\circ\text{C}$	$^\circ\text{C}$	$^\circ\text{C}$	A	V	W	Ω
STK730-010	500	-30 to +115	+115	+150	6.0	85 to 132	110	1.4
STK730-020					8.0		145	0.8
STK730-030					10.0		180	0.7
STK730-040					12.0		210	0.55
STK730-050					15.0		280	0.3
STK730-060	900	-30 to +115	+115	+150	3.0	170 to 264	110	5.0
STK730-070					5.0		180	3.0
STK730-080					6.0		210	2.0
STK730-090					8.0		280	1.2

Note: * The recommended substrate temperature is 105°C (maximum).

- Specifications of any and all SANYO products described or contained herein stipulate the performance, characteristics, and functions of the described products in the independent state, and are not guarantees of the performance, characteristics, and functions of the described products as mounted in the customer's products or equipment. To verify symptoms and states that cannot be evaluated in an independent device, the customer should always evaluate and test devices mounted in the customer's products or equipment.
- SANYO Electric Co., Ltd. strives to supply high-quality high-reliability products. However, any and all semiconductor products fail with some probability. It is possible that these probabilistic failures could give rise to accidents or events that could endanger human lives, that could give rise to smoke or fire, or that could cause damage to other property. When designing equipment, adopt safety measures so that these kinds of accidents or events cannot occur. Such measures include but are not limited to protective circuits and error prevention circuits for safe design, redundant design, and structural design.
- In the event that any or all SANYO products (including technical data, services) described or contained herein are controlled under any of applicable local export control laws and regulations, such products must not be exported without obtaining the export license from the authorities concerned in accordance with the above law.
- No part of this publication may be reproduced or transmitted in any form or by any means, electronic or mechanical, including photocopying and recording, or any information storage or retrieval system, or otherwise, without the prior written permission of SANYO Electric Co., Ltd.
- Any and all information described or contained herein are subject to change without notice due to product/technology improvement, etc. When designing equipment, refer to the "Delivery Specification" for the SANYO product that you intend to use.
- Information (including circuit diagrams and circuit parameters) herein is for example only; it is not guaranteed for volume production. SANYO believes information herein is accurate and reliable, but no guarantees are made or implied regarding its use or any infringements of intellectual property rights or other rights of third parties.

This catalog provides information as of December, 1998. Specifications and information herein are subject to change without notice.