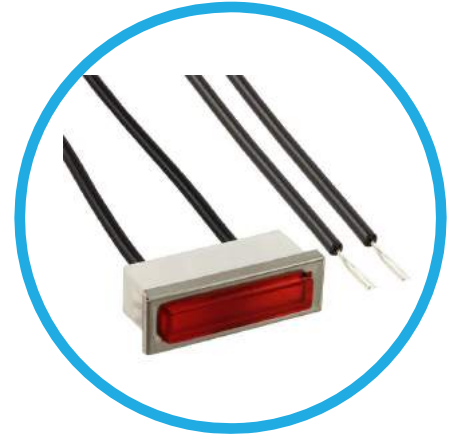




2330D and 2332D Series Non-Relampable Neon Panel Mount Indicator



Specifications

Mounting: Will snap-fit into cut-out 0.400" x 1.280" and will mount in .032" - .100" thick panel

Wire Leads: No. 22 AWG (105°C) 4.40"/4.80" long, stripped .430"/.570"

Lens: Polycarbonate

Anode(+): Red lead

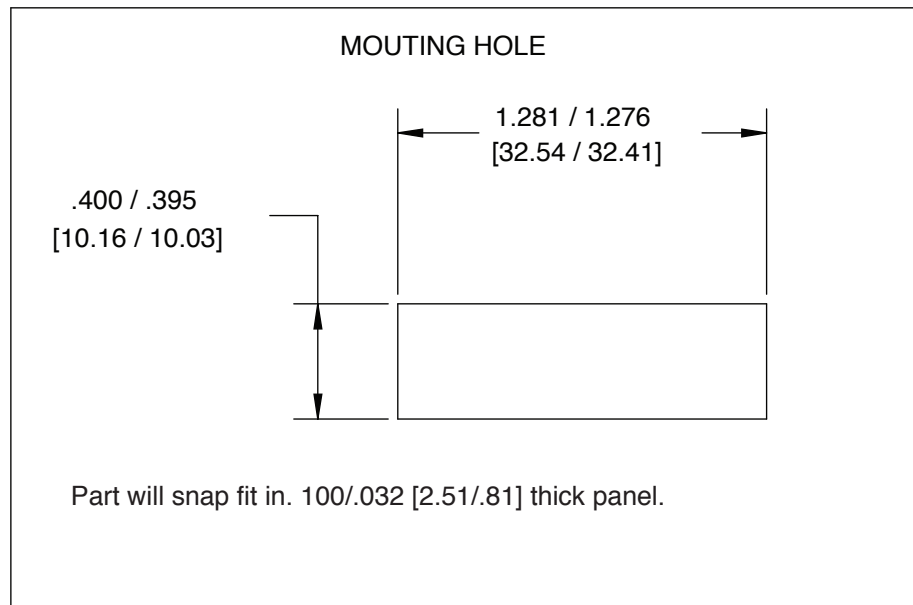
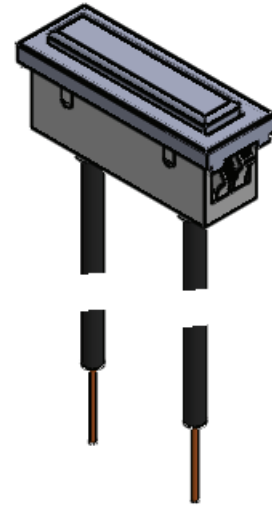
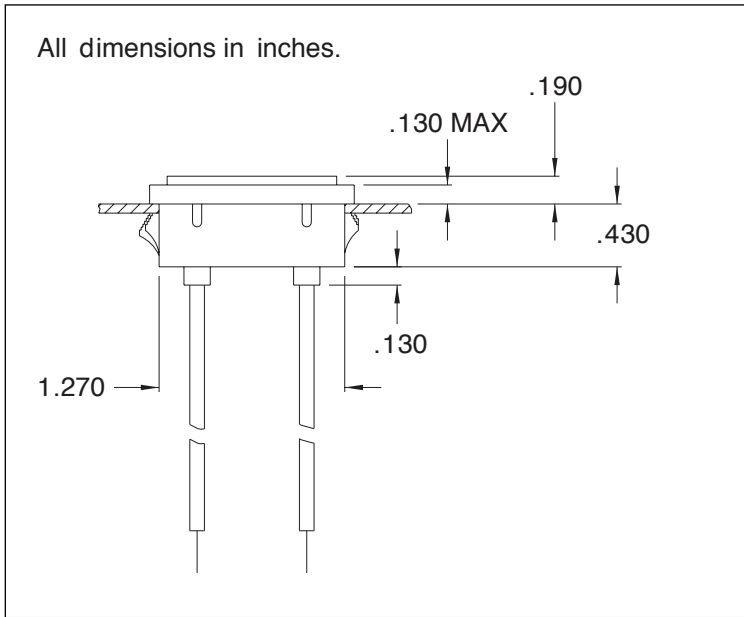
Bezel: Polished stainless steel.

UL RECOGNIZED

Ordering Information

Lens Color	Model No. (105-125 VAC)	Lamp used
Red	2330D1	LT2-32-1 + Resistor
Green	2332D5	G2B + Resistor

Dimensions



All dimensions in inches [MM]

Compliances and Approvals



Mouser Electronics

Authorized Distributor

Click to View Pricing, Inventory, Delivery & Lifecycle Information:

VCC:

2330D1