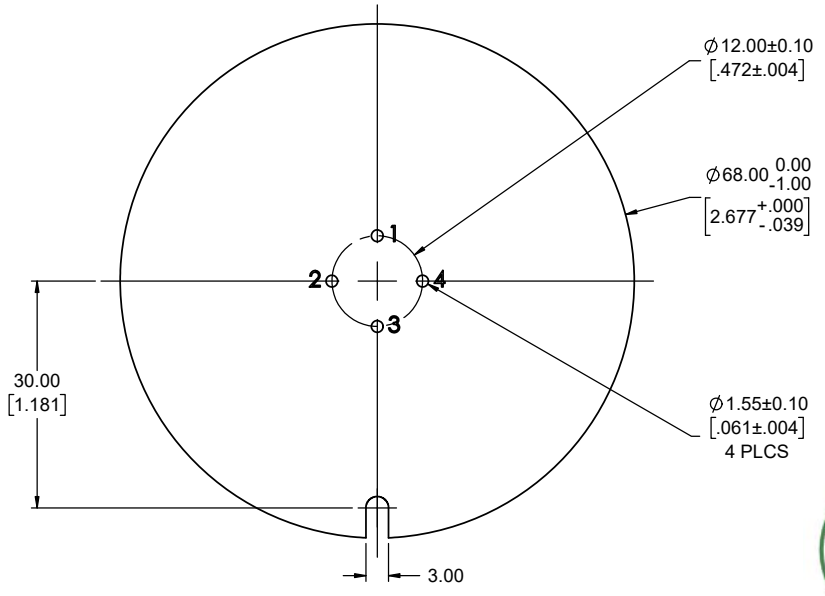
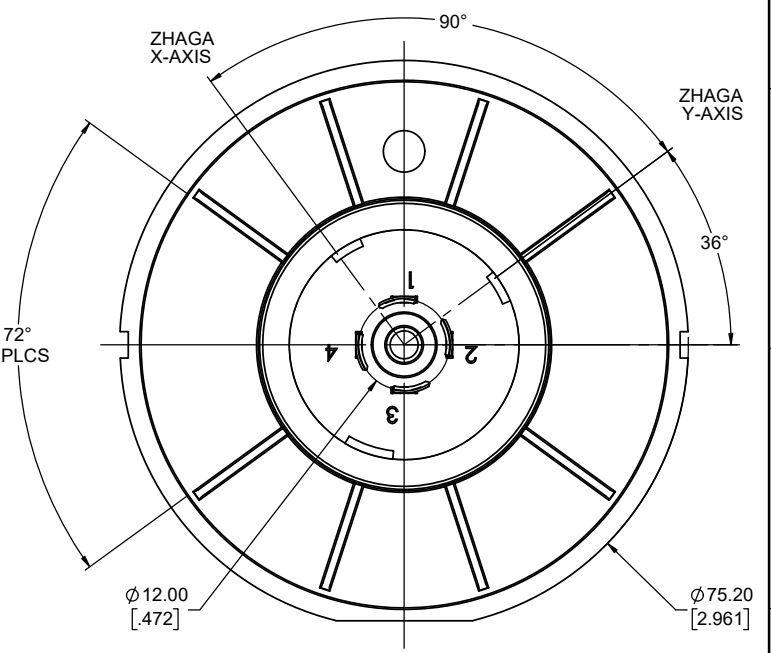
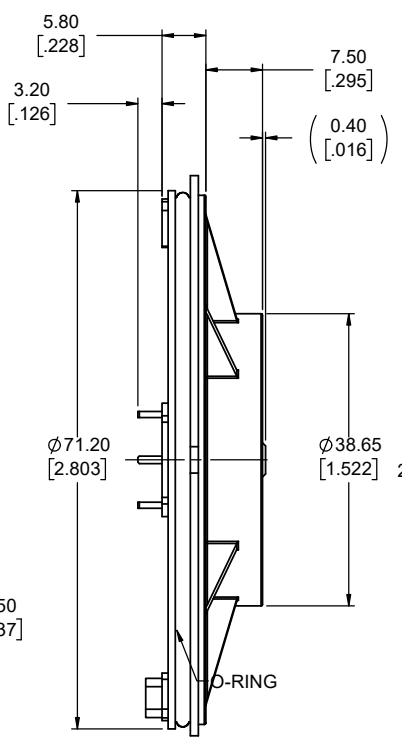
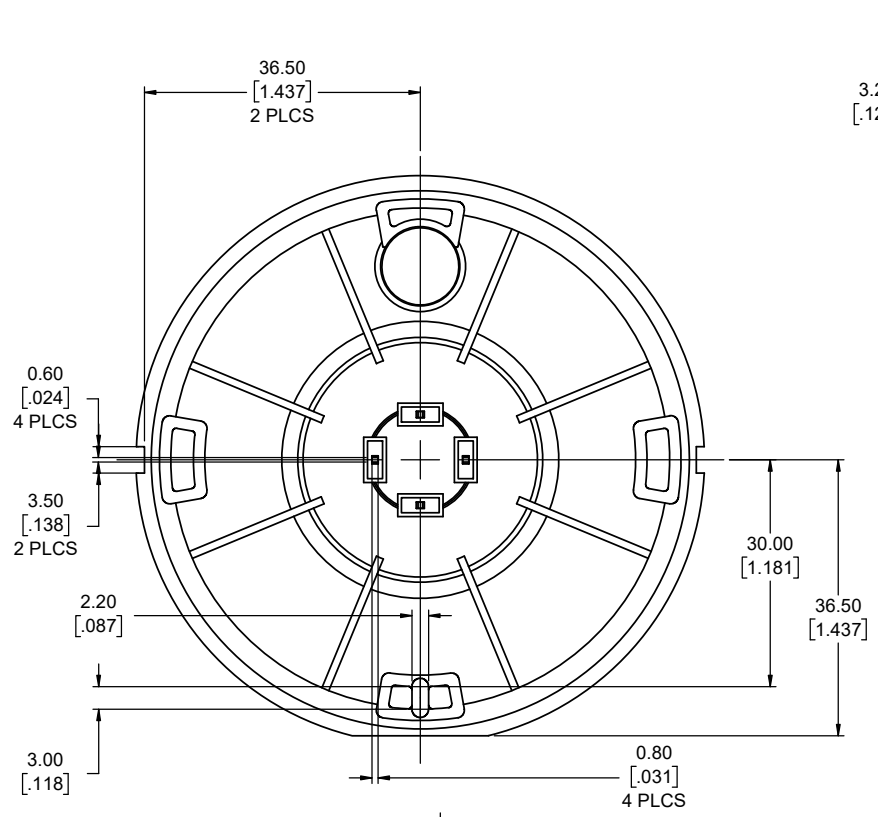


REVISIONS			
REV	DESCRIPTION, ECN, EAR NO.	DATE	APPD
D	TYPO UPDATE	MAY14/19	S.M
E	MODEL UPDATE	OCT29/19	S.M



PCB LAYOUT - TOP VIEW

**NOTES:**

- MATERIALS: ALL MATERIALS ARE RoHS COMPLIANT PER EU DIRECTIVE 2011/65/EU & AMENDMENTS.
  - MODULE HOUSING: PBT, COLOUR: GREY
  - CONTACTS: COPPER ALLOY, FINISH: MATTE TIN OVER NICKEL
  - O-RING: SILICON RUBBER, COLOUR: BLACK

CONTACT NO	ASSIGNMENT
1	+24 V AUX POWER SUPPLY
2	DA- (NEGATIVE POLE FOR DALI PROTOCOL AND POWER) GROUND FOR 24 V AUX POWER SUPPLY
3	DA+ (POSITIVE POLE FOR THE DALI PROTOCOL AND POWER)
4	NOT CONNECTED

**AMPHENOL PART NUMBER: FLS-SB80-01**



UNLESS SPECIFIED OTHERWISE	DRAWN	J.KONG	JUL25/18
PRIMARY UNITS MILLIMETERS	CHECKED	S.MUGAN	NOV27/18
SECONDARY INCHES	M.E. APPD		
REFERENCE IN PARENTHESES	Q.A. APPD		
GENERAL TOLERANCES	DWG APPR.		
1 DECIMAL PLACE	ENG. REL. NO.		
2 DECIMAL PLACES ±0.2	REF.		
3 DECIMAL PLACES	THIRD ANGLE PROJECTION		
ANGULAR DEGREES ±2°	DO NOT SCALE DRAWING		

**Amphenol Canada Corp.**  
Commercial Products

FLS SERIES, LUMINAIRE EXTENSION  
MODULE 80mm BASE,  
ZHAGA BOOK 18 COMPLIANT,  
RoHS COMPLIANT

DWG. NO. **P-FLS-SB80-01** REV **E**

CODE ID NO. 03554 DWG SIZE: X SCALE: 2:1 SHEET 1 OF 1