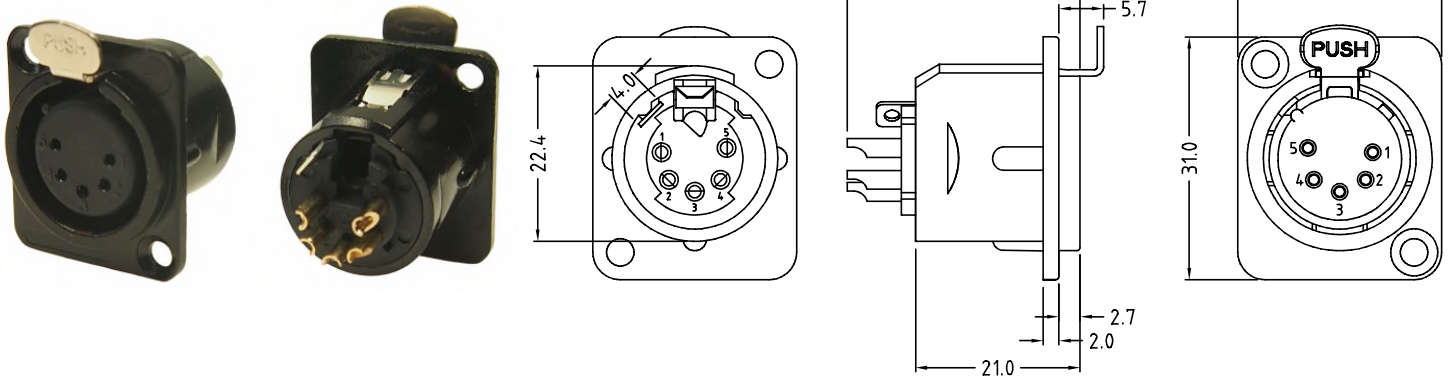
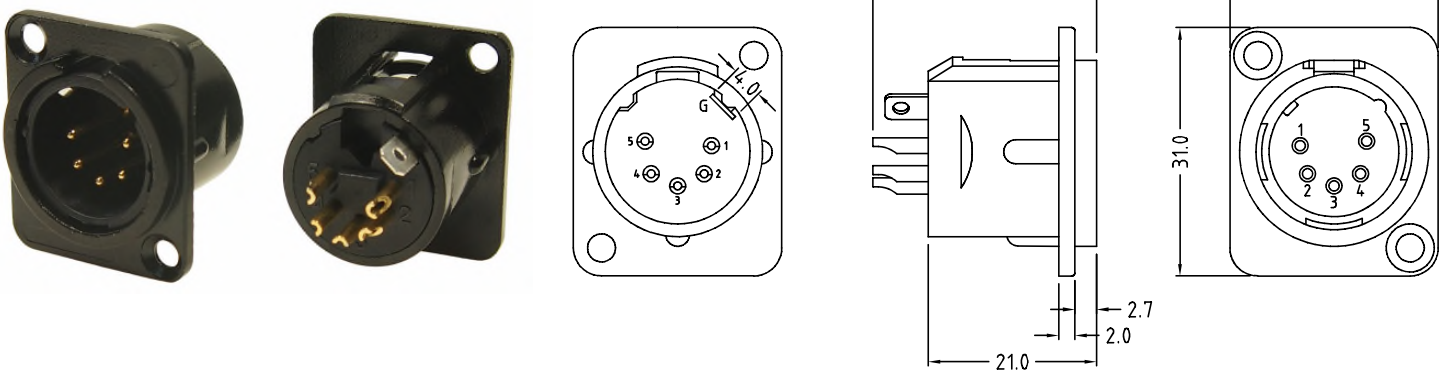


CLIFF

METAL 5 PIN XLR SOCKETS (FEEDTHROUGH STYLE)



FC61950 - FEMALE XLR 5DCF/BM BLACK WITH LATCH



FC61955 - MALE XLR 5DCM/BM BLACK

SPECIFICATION

Contact Resistance: $\leq 7\text{m}\Omega$

Insulation Resistance: $\geq 5000\text{M}\Omega$

Withstand Voltage: 1400V

Durability (Mating / Unmating): ≥ 2000 insertions

Insertion and Extraction force: 10-80N

These metal 5 pin XLR's can be fitted into our 1U racks.

