



DS9093A, DS9093F, DS9093N iButton Key Ring Mounts

www.maxim-ic.com

FEATURES

- Low-cost key ring mounts that hold an iButton® for thumbpad applications.
- Key ring mount versions:
 - DS9093A snap-in angled fob for use with F5 MicroCan®.
 - DS9093F snap-in fob for use with F5 MicroCan.
 - DS9093N angled fob for use with F5 MicroCan.

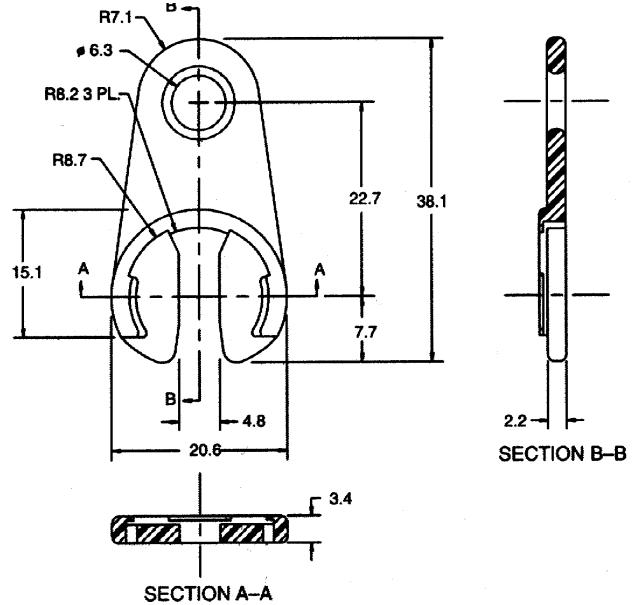
ORDERING INFORMATION

DS9093A+	black
DS9093AB+	blue
DS9093AY+	yellow
DS9093AR+	red
DS9093AG+	green
DS9093F+	black
DS9093N+	black

+Denotes a lead(Pb)-free/RoHS-compliant product.

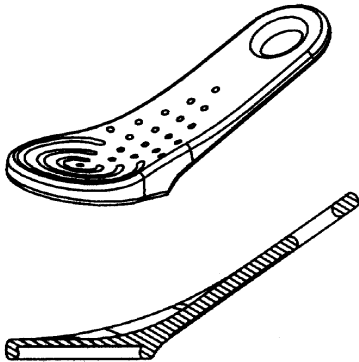
KEY RING MOUNTS

DS9093F

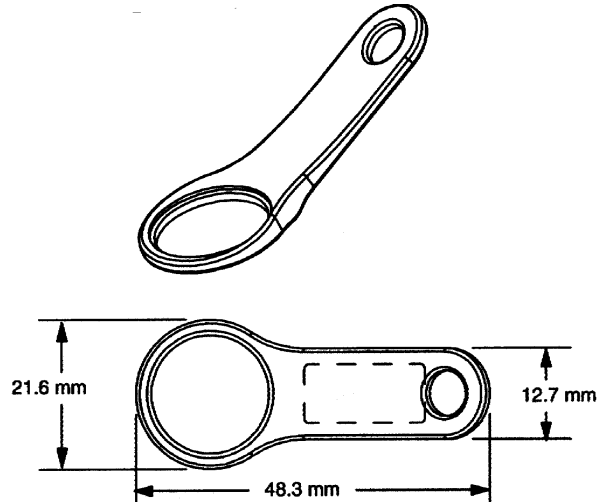


All dimensions are in millimeters.

DS9093A



DS9093N



iButton and MicroCan are registered trademarks of Maxim Integrated Products, Inc.

DESCRIPTION

The DS9093F plastic snap-in fob offers the simplest way to mount an iButton for applications that require only momentary contact. The fob can be attached to a key ring for carrying. Do not apply solvents or adhesives to this fob. This might affect the mechanical strength and reliability.

The DS9093N angled fob is an alternate way to mount an iButton for applications that require only momentary contact. Due to the different mounting technique, the DS9093N can be used with the F5 MicroCan only. The iButton is inserted into this fob by press-fitting. For permanent mount, the iButton can be locked by a DS9093RA Lock Ring.

The DS9093A is very similar to the DS9093N. It has about the same size as the DS9093N and can be used with the F5 MicroCan only. The iButton is inserted by press-fitting the flange of the MicroCan into the cavity of the fob. In contrast to the DS9093N, no additional parts are needed for permanent mounting. The DS9093A is available in black, blue, green, red, and yellow.

REVISION HISTORY

REVISION DATE	DESCRIPTION	PAGES CHANGED
8/09	<ul style="list-style-type: none">• Replaced the third <i>Features</i> bullet with an <i>Ordering Information</i> table that also specifies the color of the DS9093F and DS9093N.• Added a plus sign to each part number, indicating a lead-free product.	1

Mouser Electronics

Authorized Distributor

Click to View Pricing, Inventory, Delivery & Lifecycle Information:

[Analog Devices Inc.:](#)

[DS9093N+](#)