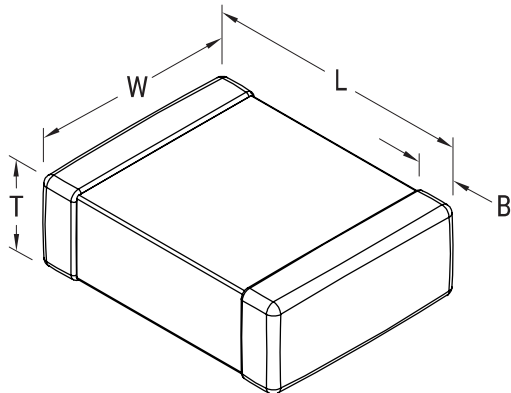


**KEMET Part Number: C1206C105K3RACTU**  
(C1206C105K3RAC7800)

SMD Comm X7R, Ceramic, 1 uF, 10%, 25 VDC, X7R, SMD, MLCC, Temperature Stable, Class II, 1206



Dimensions	
<b>L</b>	3.2mm +/-0.2mm
<b>W</b>	1.6mm +/-0.2mm
<b>T</b>	1.2mm +/-0.20mm
<b>B</b>	0.5mm +/-0.25mm

Packaging Specifications	
<b>Packaging:</b>	T&R, 180mm, Plastic Tape
<b>Packaging Quantity:</b>	2500

General Information	
<b>Supplier:</b>	KEMET
<b>Series:</b>	SMD Comm X7R
<b>Style:</b>	SMD Chip
<b>Description:</b>	SMD, MLCC, Temperature Stable, Class II
<b>Features:</b>	Temperature Stable, Class II
<b>RoHS:</b>	Yes
<b>Termination:</b>	Tin
<b>Marking:</b>	No
<b>Miscellaneous:</b>	Note: Referee time for X7R dielectric for this part number is 48 hours
<b>Chip Size:</b>	1206
<b>Shelf Life:</b>	78 Weeks
<b>MSL:</b>	1

Specifications	
<b>Capacitance:</b>	1 uF
<b>Capacitance Tolerance:</b>	10%
<b>Voltage DC:</b>	25 VDC
<b>Dielectric Withstanding Voltage:</b>	62.5 VDC
<b>Temperature Range:</b>	-55/+125°C
<b>Temperature Coefficient:</b>	X7R
<b>Dissipation Factor:</b>	3.50% 1kHz 25C
<b>Aging Rate:</b>	3% Loss/Decade Hour
<b>Insulation Resistance:</b>	500 MOhms