

Housing screw connection - SACC-BP-M-M12/M15-7-THR SCO - 1413998

Please be informed that the data shown in this PDF Document is generated from our Online Catalog. Please find the complete data in the user's documentation. Our General Terms of Use for Downloads are valid (<http://phoenixcontact.com/download>)



Housing screw connection, Plug, M12-SPEEDCON, Rear mounting, M15 x 1

Your advantages

- ✓ Easy device integration, thanks to mechanical port screw connections with threaded fastening
- ✓ Flexible PCB assembly: two-piece connectors for wave and THR soldering
- ✓ SPEEDCON fast locking system reduces cabling times



Key Commercial Data

Packing unit	20 pc
Minimum order quantity	20 pc
GTIN	
GTIN	4055626022680

Technical data

Ambient conditions

Ambient temperature (operation)	-25 °C ... 85 °C (Plug / socket)
	-40 °C ... 85 °C (without mechanical actuation)
Degree of protection	IP67 (correctly plugged in and locked)

General

Note	The electrical and mechanical data specified assume that the connector pair is correctly locked and mounted. If the connector is unlocked and if there is a danger of contamination, the connector must be sealed using a protective cap > IP54. Influences arising from litz wires, cables or PCB assembly must also be taken into consideration.
Standards/regulations	M12 connector IEC 61076-2-101 In line with
Insertion/withdrawal cycles	> 100
Torque	1.5 Nm ... 2 Nm (Installation-side)

Housing screw connection - SACC-BP-M-M12/M15-7-THR SCO - 1413998

Technical data

General

Mounting type	Rear mounting M15 x 1 Spacing between the top edge of the PCB and the back of the front plate: 7 mm
---------------	---

Material

Material, knurls	Zinc die-cast, nickel-plated
Material	Zinc die-cast (nickel-plated)
Sealing material	FKM (O-ring on housing)
Additional material specifications	Brass, nickel-plated (Locking nut)

Cable

Standards/specifications	M12 connector IEC 61076-2-101 In line with
--------------------------	--

Standards and Regulations

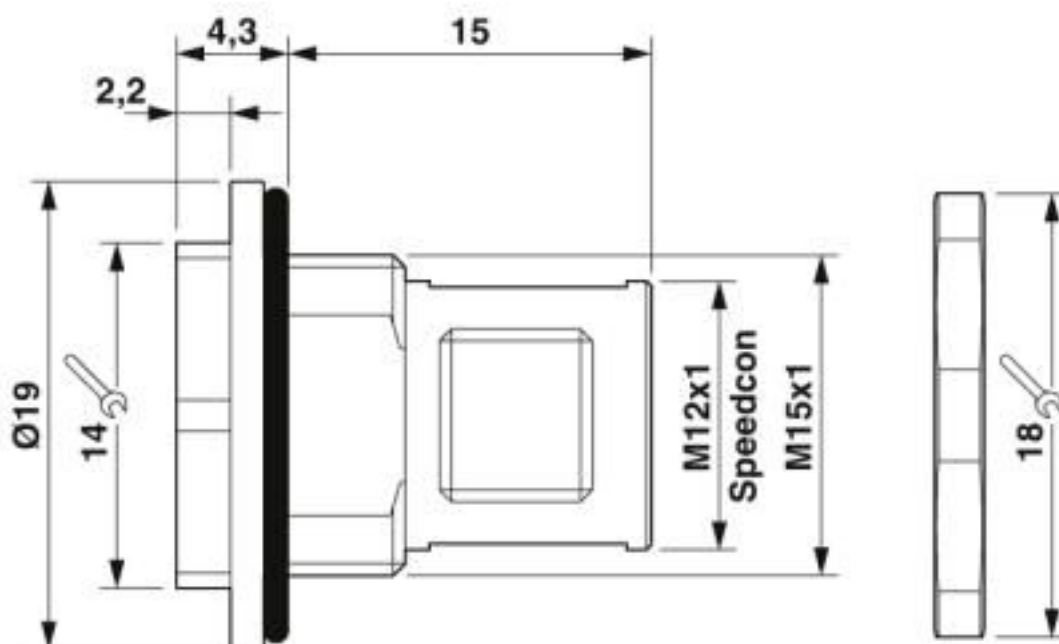
Standards/specifications	M12 connector IEC 61076-2-101 In line with
--------------------------	--

Environmental Product Compliance

REACH SVHC	Lead 7439-92-1
China RoHS	Environmentally Friendly Use Period = 50 years
	For details about hazardous substances go to tab "Downloads", Category "Manufacturer's declaration"

Drawings

Dimensional drawing



Housing screw connection - SACC-BP-M-M12/M15-7-THR SCO - 1413998

Classifications

eCl@ss

eCl@ss 10.0.1	23100602
eCl@ss 4.0	23100600
eCl@ss 4.1	23100600
eCl@ss 5.0	23100600
eCl@ss 5.1	23100600
eCl@ss 6.0	23100600
eCl@ss 7.0	23100602
eCl@ss 8.0	23100602
eCl@ss 9.0	23100602

ETIM

ETIM 4.0	EC001855
ETIM 5.0	EC002350
ETIM 6.0	EC002350
ETIM 7.0	EC002350

UNSPSC

UNSPSC 13.2	31171603
UNSPSC 18.0	31171603
UNSPSC 19.0	31171603
UNSPSC 20.0	31171603
UNSPSC 21.0	31171603

Approvals


Approvals

Approvals

EAC

Ex Approvals

Approval details

EAC		B.01687
-----	---	---------

Phoenix Contact 2020 © - all rights reserved
<http://www.phoenixcontact.com>

PHOENIX CONTACT GmbH & Co. KG
Flachsmarktstr. 8
32825 Blomberg
Germany
Tel. +49 5235 300
Fax +49 5235 3 41200
<http://www.phoenixcontact.com>

Mouser Electronics

Authorized Distributor

Click to View Pricing, Inventory, Delivery & Lifecycle Information:

[Phoenix Contact:](#)

[1413998](#)